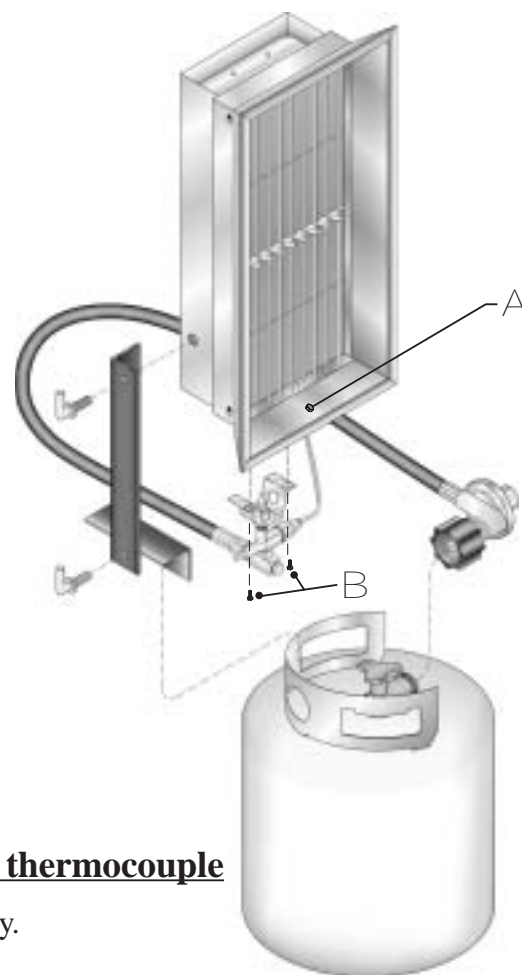
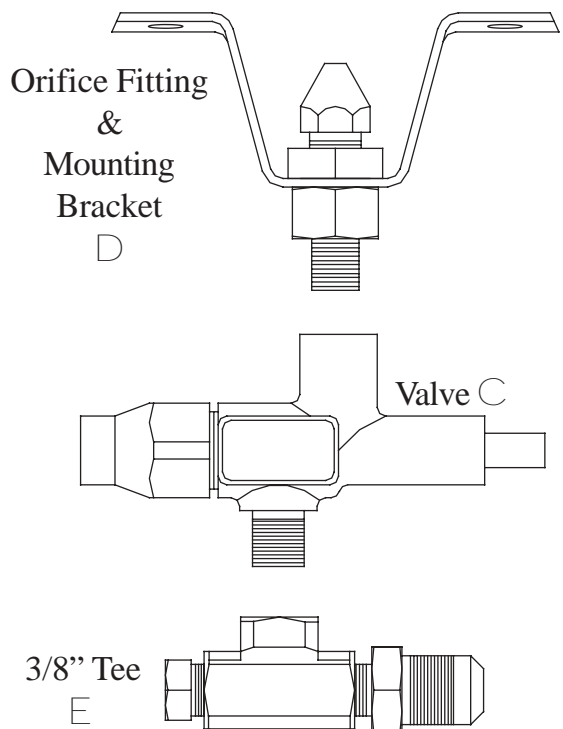


# Portable Heater Parts Instruction Sheet

## P-114 Thermocouple Replacement



### Disassembly instructions for the P-112A valve & P-114 thermocouple

1. Close valve on the lp tank and remove the hose and regulator assembly.
2. Disconnect heater from the lp tank.
3. Remove hose and regulator from the heater.
4. Remove bolt A to remove the thermocouple from the heater.
5. Remove bolts B to remove the valve assembly from the heater.
6. Remove thermocouple from valve C.
7. Remove orifice fitting and mounting bracket D.
8. Remove 3/8" tee (or elbow) from the inlet of the valve E .

### Installation instructions for the P-112B valve & P-114B thermocouple

1. Reinstall the 3/8" tee onto the inlet of the new valve E .
2. Reinstall the orifice fitting and mounting bracket to the outlet of the new valve D.
3. Attach the new thermocouple to the valve C.
4. Reinstall bolts B attaching valve assembly to the heater.
5. Reinstall bolt A to attach thermocouple to heater. Be careful not to kink the thermocouple tube.
6. Reinstall the hose and regulator assembly to the heater and attach heater to propane tank.
7. Consult lighting instructions on heater prior to operation.