

# QT Heater Parts Price List

Effective 11-1-11

**NOTE:** All items shown in this booklet are part of our “PTTB” product code and “PPE” price code categories.

All orders are subject to acceptance by Detroit Radiant Products Company, Warren, Michigan at prices in effect at date of shipment. All prices are F.O.B. Warren, Michigan. All State, Federal, or Municipal taxes in effect at the time of shipment or imposed at any future time on our products shall be the responsibility of the customer. We reserve the right to change specifications on our products without prior notice to the customer.



21400 Hoover Road, Warren, Michigan 48089  
Phone: 586-756-0950 • Fax: 586-756-2626  
[www.detroitradiant.com](http://www.detroitradiant.com)

## TABLE OF CONTENTS

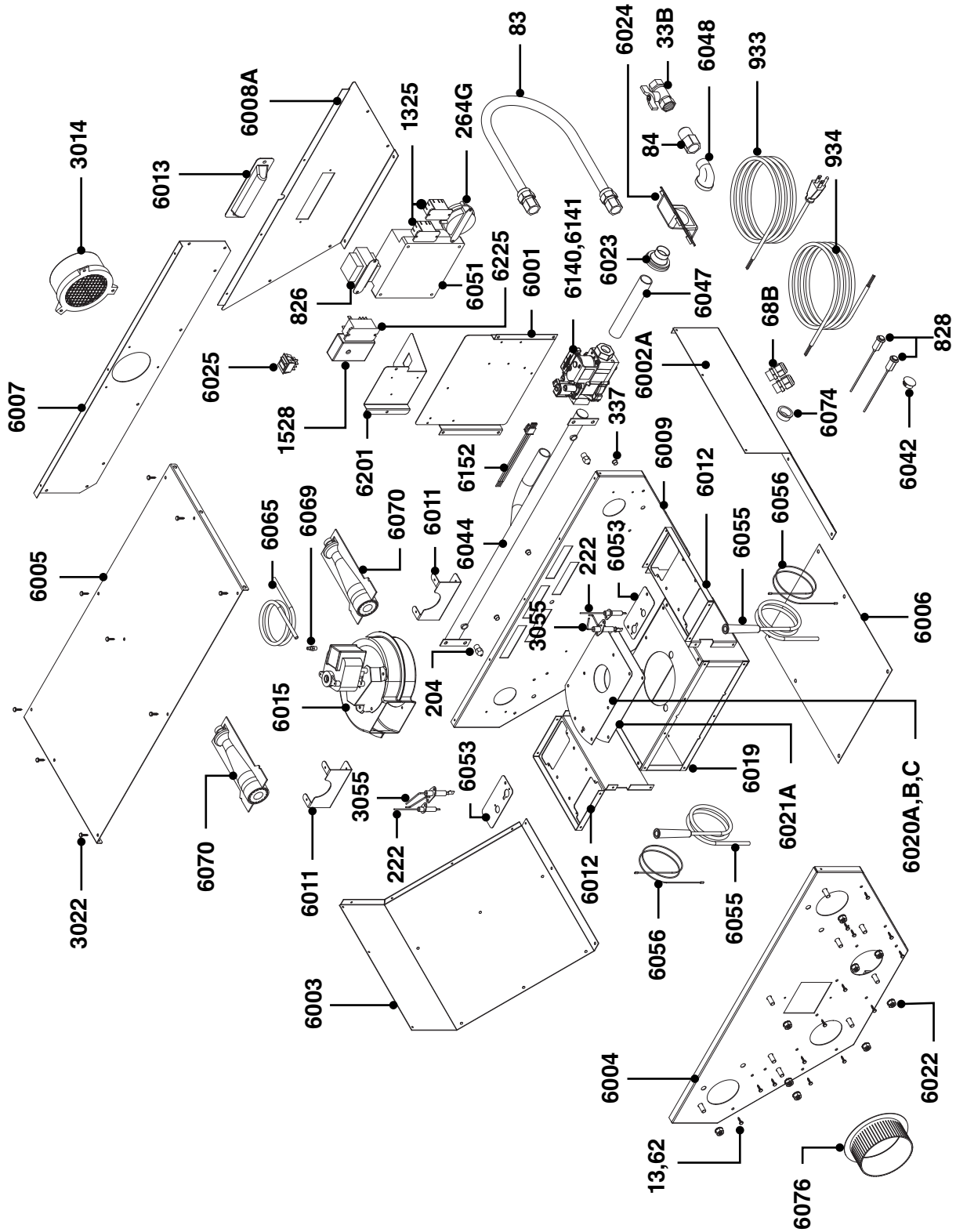
Burner Parts Breakdown .....	Page 2
Burner Parts List.....	Page 3
Tube & Reflector Breakdown .....	Page 4

*Replacement parts information, including photos and technical data is available online at [www.detroitradiant.com/parts](http://www.detroitradiant.com/parts).*

Lot Price Quantities (LPQ): Orders placed in multiples of the quantity shown are eligible for a price break of 15% (unless otherwise specified). Orders that are drop shipped are not eligible for LPQ pricing. LPQ items are at the discretion of Detroit Radiant Products Company and will be provided only in bulk packages and in numbered lots.

# QT Heater Parts & Pricing

## Burner Parts Breakdown



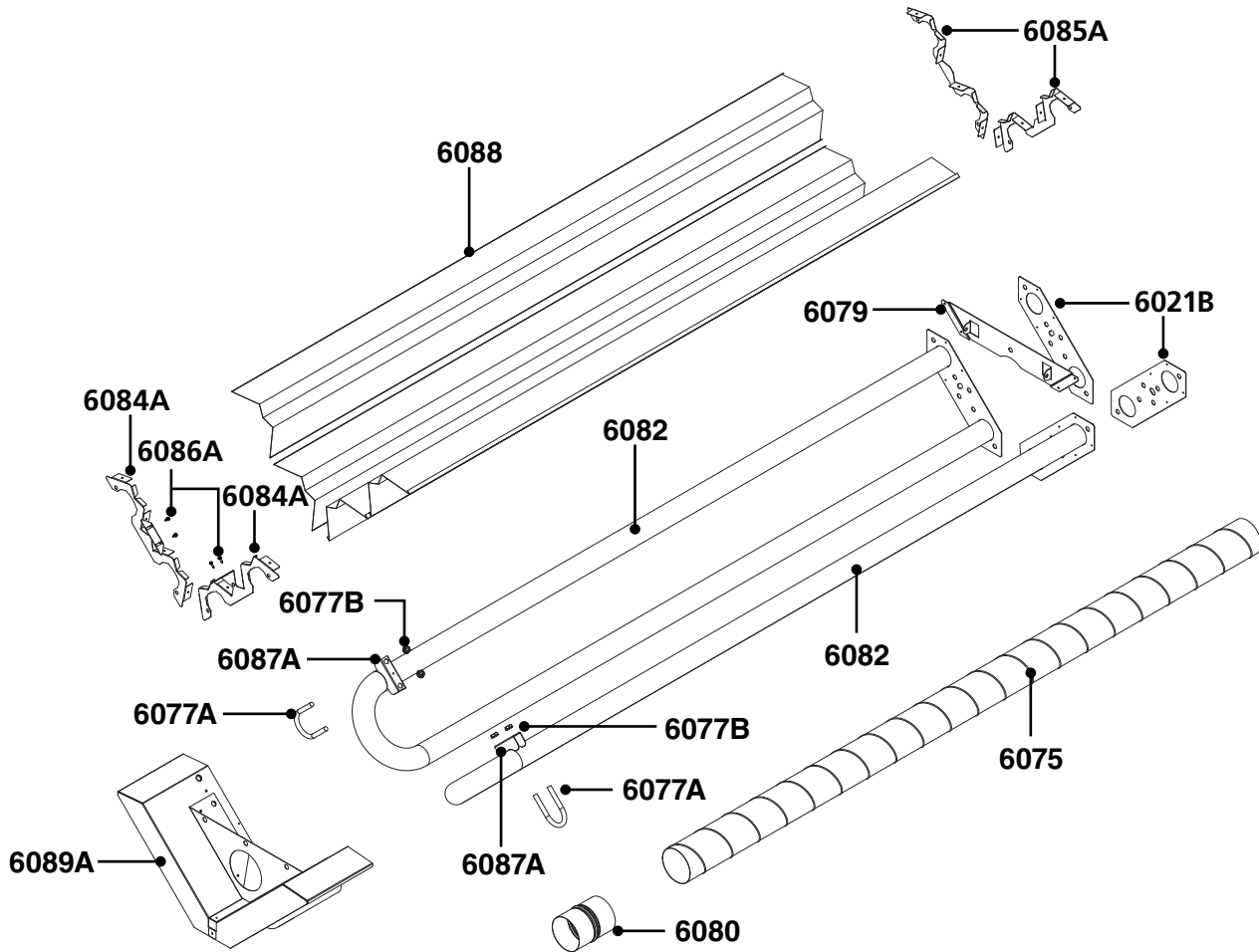
# QT Heater Parts & Pricing

## Burner Assembly Items

Part No.	Description	List \$	Part No.	Description	List \$
TP-13	#8 x 1/2" Self-Drilling Screw	\$ 0.05	TP-6015	Fan Motor Assembly	\$ 145.00
TP-33B	1/2" Shut-Off Valve	\$ 18.50	TP-6019	Exhauster Collector Box	\$ 26.00
TP-62	#8 x 1/2" Aluminized Sheet Metal Screw	\$ 0.05	TP-6020A	Fan Restrictor Plate - 40	\$ 8.25
TP-68B	Large Strain Relief Bushing	\$ 4.40	TP-6020B	Fan Restrictor Plate - 60	\$ 8.25
TP-83	Stainless Steel Flexible Gas Connector	\$ 31.50	TP-6020C	Fan Restrictor Plate - 80	\$ 8.25
TP-84	1/2" Female to Male FC-12 Flare Fitting	\$ 9.25	TP-6021A	Fan Gasket	\$ 3.85
TP-204	Gas Orifice (2) - Specify Size	\$ 7.50	TP-6022	5/16" - 18 Keps Nut	\$ 0.58
TP-222	Flame Sensing Rod	\$ 21.50	TP-6023	Rubber Grommet (Black)	\$ 1.80
TP-264G	Air Proving Switch	\$ 55.00	TP-6024	Gas Inlet Adapter	\$ 9.25
TP-337	Electrical Plastic Bushing	\$ 0.12	TP-6025	Dual Pole, Dual Throw Switch	\$ 12.00
TP-826	40VA Transformer-120V Pri./24V Sec.	\$ 31.00	TP-6027	1/2" Plastic Plug	\$ 0.60
TP-828	24VAC Indicator Light	\$ 8.50	TP-6040	Natural Gas Valve; Single-Stage	\$ 148.00
TP-933	6-ft Black 120VAC Power Cord	\$ 13.50	TP-6041	LP Gas valve; Single-Stage	\$ 148.00
TP-934	6-ft Yellow 24VAC Control Cord	\$ 13.50	TP-6044	Manifold Pipe with Foot Mounts	\$ 35.00
TP-1325	24VAC Switching Relay	\$ 23.00	TP-6047	5" x 1/2" Gas Inlet Pipe	\$ 6.00
TP-1528	Post Purge Timer	\$ 52.25	TP-6048	1/2" Gas Inlet Street Elbow	\$ 6.00
TP-3014	Combustion Air Inlet Collar w/ Screen	\$ 9.00	TP-6051	Dual DSI Circuit Board	\$ 151.00
TP-3022	#8 x 1/2" Black Sheet Metal Screw	\$ 0.11	TP-6052	Single-Stage Wiring Harness	\$ 24.00
TP-3055	2 Prong Ignition Electrode	\$ 40.00	TP-6053	Igniter & Sense Mounting Plate	\$ 3.50
TP-6001	Control Mounting Panel	\$ 7.00	TP-6055	26" High Temp. Spark Wire w/Boot (Orange)	\$ 13.00
TP-6002A	Burner Box Left Side Panel	\$ 13.00	TP-6056	26" High Temp. Sense Wire (White)	\$ 8.00
TP-6003	Burner Box Right Side Panel	\$ 13.00	TP-6065	12" x 5/32" I.D. Silicone Pressure Tubing	\$ 4.00
TP-6004	Burner Box Front Panel w/9 Weld Studs	\$ 30.00	TP-6069	Port Barb Fitting	\$ 4.00
TP-6005	Burner Box Top Cover	\$ 19.50	TP-6070	Burner	\$ 26.00
TP-6006	Burner Box Bottom Panel	\$ 8.00	TP-6074	Sight Glass Plug	\$ 3.75
TP-6007	Burner Box Rear Panel, Upper	\$ 13.00	TP-6140	Natural Gas Valve; Two-Stage	\$189.00
TP-6008A	Burner Box Rear Panel, Lower	\$ 9.00	TP-6141	LP Gas Valve; Two-Stage	\$189.00
TP-6009	Burner Center Panel	\$ 21.00	TP-6152	Two-Stage Wiring Harness	\$ 24.00
TP-6011	Burner Mounting Holster	\$ 6.00	TP-6201	Post Purge Component Plate	\$ 7.00
TP-6012	Burner and Ignition Supporting Frame	\$ 13.00	TP-6225	Dual Throw, Dual Pole Isolation Relay	\$ 26.00
TP-6013	Service Access Handle	\$ 7.50			

# QT Heater Parts & Pricing

## Tube & Reflector Breakdown



### Tube & Reflector Items

Part No.	Description	List \$	Part No.	Description	List \$
TP-6021B	Tube Flange Gasket	\$ 4.25	TP-6082	Radiant U-Tube Assembly w/ Baffle & Plate	\$ 128.00
TP-6075	81" x 4" Vent Pipe	\$ 37.50	TP-6084A	U-End Reflector End Cap	\$ 18.00
TP-6076	4" Vent Collar	\$ 6.00	TP-6085A	Burner Reflector End Cap	\$ 18.00
TP-6077A	U-Bolt Fastener	\$ 6.50	TP-6086A	#8 x 1/2" Red Shoulder Screw	\$ 0.75
TP-6077B	Nut for U-Bolt	\$ 0.44	TP-6087A	Tube Saddle Bracket	\$ 2.75
TP-6079	Exchanger Connection & Hanging Bracket	\$ 18.50	TP-6088	Aluminum Reflector	\$ 78.00
TP-6080	4" Vent Adapter Fitting	\$ 14.00	TP-6089A	Reflector End Assembly w/ Saddle Brackets	\$ 54.00