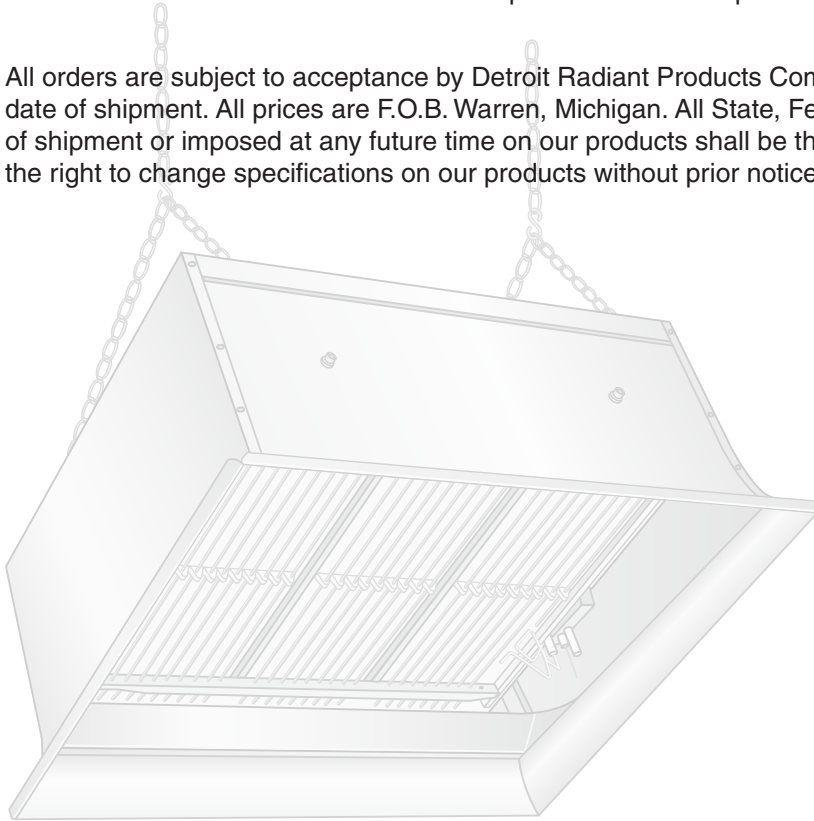


# DR/IR Parts Price List

Effective 8-1-10

**NOTE:** All items shown in this booklet are part of our "PTDR" product code and "PPE" price code categories.

All orders are subject to acceptance by Detroit Radiant Products Company, Warren, Michigan at prices in effect at date of shipment. All prices are F.O.B. Warren, Michigan. All State, Federal, or Municipal taxes in effect at the time of shipment or imposed at any future time on our products shall be the responsibility of the customer. We reserve the right to change specifications on our products without prior notice to the customer.



21400 Hoover Road, Warren, Michigan 48089  
Phone: 586-756-0950 • Fax: 586-756-2626  
[www.detroitradiant.com](http://www.detroitradiant.com)

## TABLE OF CONTENTS

Control Components .....	Page 2
Core Components .....	Page 3
Miscellaneous Components .....	Page 4
Parts Breakdown .....	Page 4
Accessories	
Please see the DR Series Price List .....	LPDR

*Replacement parts information, including photos and technical data is available online at [www.detroitradiant.com/parts](http://www.detroitradiant.com/parts).*

Chart 1.1 • Control Components

QTY.	DESCRIPTION	VOLTAGE	PART NUMBER	LIST PRICE
<b>DIRECT SPARK NFS-2/PFS-2</b>				
	Combination Gas Valve, Natural Gas	25V	VR8205A-2123	\$ 146.00
	Combination Gas Valve, Natural Gas	120V	VR4205M-1308	\$ 146.00
	Combination Gas Valve, LP Gas	25V	VR8205A-2081	\$ 146.00
	Combination Gas Valve, LP Gas	120V	VR4205M-1357	\$ 146.00
	Main Burner Electrode		32-508	\$ 36.00
	Circuit Board - 25V	25V	MARK-10DX 24	\$ 152.00
	Wiring Harness for Circuit Board	25V	DRWH-24	\$ 21.00
	Circuit Board - 120V	120V	MARK-10DX 117	\$ 152.00
	Wiring Harness for Circuit Board	120V	DRWH-120	\$ 21.00
	High Voltage Ignition Wire		HVW-18	\$ 10.60
	Low Voltage Ignition Wire		LVW-18	\$ 10.60
<b>MILLIVOLT NMV-2/PMV-2</b>				
	Combination Gas Valve, Natural Gas 100%	MV	VS820A-1070	\$ 177.00
	Combination Gas Valve, LP Gas 100%	MV	VS820A-1740	\$ 177.00
	Pilot Flame Detector Powerpile		Q313A-1014	\$ 43.00
	Pilot Burner		F10-1	\$ 48.00
	Pilot Orifice, Natural Gas		69-1818	\$ 29.00
	Pilot Orifice, LP Gas		69-0764	\$ 29.00
	Pilot Regulator, Natural Gas		RV 12-6"	\$ 31.00
	Pilot Regulator, Natural Gas		RV 12-11"	\$ 31.00
<b>SPARK PILOT NSPI-8</b>				
	Combination Gas Valve, Natural Gas	25V	36E36-210	\$ 163.00
	Combination Gas Valve, Natural Gas	120V	36E36A-210	\$ 163.00
	Pilot Flame Detector Switch (Sub with DSI-Sub Kit-24 or -120)		3049-41	NLA
	Pilot Burner		F10-1	\$ 48.00
	Pilot Orifice, Natural Gas		69-2068	\$ 29.00
	Pilot Regulator, Natural Gas		RV 12-6"	\$ 31.00
	Pilot Spark Electrode w/ Ignition Wire		760-668	\$ 27.00
	Pilot Spark Circuit Board	25V	MARK-6 25	\$ 53.00
	Pilot Spark Circuit Board	120V	MARK-6 120	\$ 53.00
<b>SPARK PILOT NSP-4</b>				
	Combination Gas Valve, Natural Gas (see notes on page 4)	25V	PV SUB KIT-24V	\$ 155.00
	Combination Gas Valve, Natural Gas (see notes on page 4)	120V	PV SUB KIT-120V	\$ 155.00
	Pilot Flame Detector Switch (Sub with DSI-Sub Kit-24 or -120)		3049-41	NLA
	Pilot Burner		F10-1	\$ 48.00
	Pilot Orifice, Natural Gas		69-2068	\$ 29.00
	Pilot Regulator, Natural Gas		RV 12-6"	\$ 31.00
	Pilot Spark Electrode w/ Ignition Wire		760-668	\$ 27.00
	Pilot Spark Circuit Board	25V	MARK-6 25	\$ 53.00
	Pilot Spark Circuit Board	120V	MARK-6 120	\$ 53.00
<b>GLOW COIL NE-2, NGCI-3</b>				
	Combination Gas Valve, Constant Pilot (see notes on page 4)	25V	PV SUB KIT-24V	\$ 155.00
	Combination Gas Valve, Constant Pilot (see notes on page 4)	120V	PV SUB KIT-120V	\$ 155.00
	Combination Gas Valve, Intermittent	25V	36E36-210	\$ 163.00
	Combination Gas Valve, Intermittent	120V	36E36A-210	\$ 163.00
	Pilot Flame Detector Switch (Sub with DSI-Sub Kit-24 or -120)		3049-41	NLA
	Pilot Burner		F10-1	\$ 48.00
	Pilot Orifice, Natural Gas		69-2068	\$ 29.00
	Pilot Regulator, Natural Gas		RV 12-6"	\$ 31.00
	Pilot Glow Coil Transformer	120V	S81-288	\$ 47.50
	Pilot Glow Coil (Sub with DSI-Sub Kit-24 or -120)		33-0344	NLA
<b>MANUAL IGNITION NT-2/PT-2</b>				
	Combination Gas Valve, Natural Gas	25V	36C03-204	\$ 170.00
	Combination Gas Valve, Natural Gas	120V	36C03A-204	NLA
	Combination Gas Valve, LP Gas	25V	VR800A-1392	\$ 169.00
	Combination Gas Valve, LP Gas	120V	36C13A-276	NLA
	Pilot Flame Detector, Thermocouple		Q309A-1970	\$ 17.00
	Pilot Burner		F10-1	\$ 48.00
	Pilot Orifice, Natural Gas		69-2068	\$ 29.00
	Pilot Orifice, LP Gas		69-0764	\$ 29.00

Chart 1.2 • Core Components Breakdown

QTY.	DESCRIPTION	PARTS REQUIRED					LIST \$	DRP PART NUMBER
		DR1	DR2	DR3	DR4	DR5		
Manifolds	Manifold for 16-30	1					\$ 24.00	DR-MAN1
	Manifold for 45-60		1				\$ 31.00	DR-MAN2
	Manifold for 75-100			1			\$ 38.00	DR-MAN3
	Manifold for 130				1		\$ 43.00	DR-MAN4
	Manifold for 160					1	\$ 49.00	DR-MAN5
Up Frames	Upper Frame for 16-30	1					\$ 6.00	DR-UF1
	Upper Frame for 45-60		1				\$ 9.00	DR-UF2
	Upper Frame for 75-100			1			\$ 13.00	DR-UF3
	Upper Frame for 130				1		\$ 17.00	DR-UF4
	Upper Frame for 160					1	\$ 21.00	DR-UF5
Heat Shields	Heat Shield for 16-30	1					\$ 7.00	DR-HS1
	Heat Shield for 45-60		1				\$ 10.00	DR-HS2
	Heat Shield for 75-100			1			\$ 13.00	DR-HS3
	Heat Shield for 130				1		\$ 17.00	DR-HS4
	Heat Shield for 160					1	\$ 21.00	DR-HS5
Flash Shields	Flash Shield for 16-30	1					\$ 5.50	DR-FLSH1
	Flash Shield for 45-60		1				\$ 7.00	DR-FLSH2
	Flash Shield for 75-100			1			\$ 8.50	DR-FLSH3
	Flash Shield for 130				1		\$ 12.00	DR-FLSH4
	Flash Shield for 160					1	\$ 14.00	DR-FLSH5
Ref. End	Reflector End Top for 16-30	1					\$ 9.00	DR-RFE1T
	Reflector End Bottom for 16-30	1					\$ 9.00	DR-RFE1B
	Reflector End for 45-60		2				\$ 13.00	DR-RFE2
	Reflector End for 75-100			2			\$ 17.00	DR-RFE3
	Reflector End for 130				2		\$ 22.00	DR-RFE4
	Reflector End for 160					2	\$ 26.00	DR-RFE5
Full Refl.	DR 30 Full Reflector Assembly	1					\$ 52.00	DR-1REF
	DR 60 Full Reflector Assembly		1				\$ 64.00	DR-2REF
	DR 90 Full Reflector Assembly			1			\$ 78.00	DR-3REF
	DR 130 Full Reflector Assembly				1		\$ 89.00	DR-4REF
	DR 160 Full Reflector Assembly					1	\$ 99.00	DR-5REF
Sides	DR Side Frame	2	2	2	2	2	\$ 7.00	DR-SF
	DR Side Frame Insert	2	2	2	2	2	\$ 3.61	DR-SFI
	RVR Embossed Reflector Sides	2	2	2	2	2	\$ 15.00	DR-ERS
Burner	DR Rayhead w/ Center Support	1	2	3	4	5	\$ 119.00	DR-RH
	DR LP Rayhead w/o Center Support	1	2	n/a	n/a	n/a	\$ 119.00	DR-RHP
	DR Cross Over Bracket	0	1	0	0	0	\$ 11.00	DR-CO
	DR Long Rod	8	17	26	35	44	\$ 2.45	DR-LROD
	DR Short Rod	1	1	1	1	1	\$ 2.10	DR-SROD
Gas	3 Piece Brass Union	1	1	1	1	1	\$ 14.00	DR-MU
	Nat. Brass DR Orifice	1	2	3	4	5	\$ 6.85	ORF-# specify
	LP Brass DR Orifice	1	2	3	4	5	\$ 6.85	ORF-# specify
Elec. Items - DSI	3/8" Flexible Conduit	1	1	1	1	1	\$ 2.65	DR-FC
	3/8" Conduit Attachment Fitting	2	2	2	2	2	\$ 2.90	DR-FL31
	Electrode Mounting Bracket	1	1	1	1	1	\$ 2.50	DR-EMB
	High Volt Spark Wire (18" - Orange)	1	1	1	1	1	\$ 10.60	HVW-18
	Red Rubber Spark Boot	1	1	1	1	1	\$ 4.00	DR-RSB
	Low Volt Black Wire Grommet	1	1	1	1	1	\$ 1.65	DR-LVG
	High Volt Black Wire Heyco Grommet	1	1	1	1	1	\$ 1.75	DR-HVG
	JB-0514 Junction Box	1	1	1	1	1	\$ 15.00	JB-0514
Assembly Items	#8tpi 1/8" x 1/2" Common Sheet Metal Screw	8	8	10	12	14	\$ 0.10	DR-8SMS
	#8tpi 1/8" x 1/2" Sheet Metal Self Drilling Screw	2	2	2	2	2	\$ 0.10	DR-8SDS
	#8tpi 1/8" x 1/2" Type A Screw	2	2	2	2	2	\$ 0.10	DR-8STS
	#8tpi 3/16" Electrode Mounting Screw	2	2	2	2	2	\$ 0.10	DR-8EMS
	#10tpi 1/8" x 1/4" - Short Electrode Mtg. Screw	2	2	2	2	2	\$ 0.16	DR-10EMS
	#20tpi 1/4" x 1/2" Machine Screw (DR Bolt)	4	6	8	10	12	\$ 0.10	DR-20MB
	#20tpi 1/4" x 1/2" - Hex Nut (Mates to DR Bolt)	4	6	8	10	12	\$ 0.10	DR-20HN
#20tpi 1/4" x 1/2" Self Tap DR Bolt	12	12	12	12	12	\$ 0.20	DR-20STB	

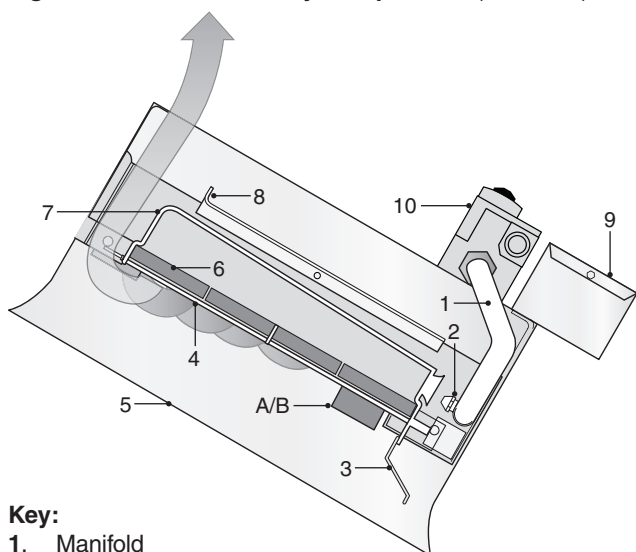
Chart 1.3 • Miscellaneous Heater Components

QTY.	PART NO.	DESCRIPTION	USED ON	LIST PRICE
<b>HEATER COMPONENTS</b>				
	DR-DOOR	Pilot Access Door with Zip Screw	W/R Pilot Heaters	\$ 6.50
	DR-MU	Union Fitting, 3-Piece	ALL	\$ 14.00
	DR-PP	Pilot Plug		\$ 7.00
	F10-PS	Pilot Shield for F10-1 Pilot Burner	W/R Pilot Heaters	\$ 10.00
	PL-1	Pilot Line (Straight) for DR-30	W/R Pilot Heaters	\$ 12.40
	PL-2	Pilot Line (Straight) for DR-45 through DR-160	W/R Pilot Heaters	\$ 12.40
<b>GLO-COIL IGNITORS</b>				
	33-0169	Glo-Coil Ignitor	Perfection JC	\$ 97.00
	Y80HA-24	24 in. Screw-In Connector	NE	\$ 89.00
<b>COMBINATION VALVES &amp; COMPONENTS</b>				
	36C68-226	24V Combination LP Gas Valve (36E36-210 converted to LP).	PSPI-10(25V), American 410P	\$ 163.00
	36C68A-226	120V Combination LP Gas Valve (36E36A-210 converted to LP).	PSPI-10(120V), American	\$ 163.00
	V5306A-1118	Natural Gas Regulator for Honeywell V4, V8 & VS Series Valves		\$ 41.00
<b>PILOT ASSEMBLIES, KITS AND SENSORS</b>				
	B-34	Pilot Burner	DRP A-10, American I-R	\$ 27.00
	F10A-208	Spark Pilot Assembly, F10-1, 760-668 & Natural Gas Pilot Orifice	NSP-4, NSPI-2, -8, -9, -10	\$ 69.00
	F10D-208	Spark Pilot Assembly, F10-1, 760-668 & LP Gas Pilot Orifice	PSPI-2, PSPI-9, PSPI-10	\$ 69.00
	9-RS	9V Battery Powered Spark Pilot Relight w/ Electrode (Batteries not included)	NMV-2, PMV-2	\$ 89.00
	Y75AA-2	Flame Detection Rod	NSPI-2, PSPI-2	\$ 24.00
<b>DIRECT SPARK CIRCUIT BOARDS &amp; ACCESSORIES</b>				
	DSI SUB KIT-120	Replaces 05-14, 5070A-11 & 50B47A-40 (see notes below)	NWRI, PWRI, NFS, PFS	\$ 205.00
	DSI SUB KIT-24	24 Volt Direct Spark Kit (see notes below)	NFS-2, PFS-2	\$ 205.00
	MARK-10X 117	Sub MARK 10DX-117 and DR-WH	NFS-2, PFS-2	NLA
<b>MAIN BURNER SPARK ELECTRODE</b>				
	22-508	Two-Prong Electrode, Replaces 760-119	NWRI, PWRI, NFS, PFS	\$ 29.00

**NOTES:**

- DSI SUB KIT-24 Includes: MARK 10X-24 circuit board, 32-508 electrode, DR-WR harness, DR-PP pilot plug, spark boot & junction box.
- DSI SUB KIT-120 Includes: MARK 10DX-117 circuit board, 32-508 electrode, DR-WR harness, DR-PP pilot plug spark boot & junction box.
- PV SUB KIT-24 Includes: VR8205A-2123 (NG-24V), pilot tubing & 2) 1/8 in. x 1/4 in. compression fittings.
- PV SUB KIT-120 Includes: VR4205M-1308 (NG-120V), pilot tubing & 2) 1/8 in. x 1/4 in. compression fittings.

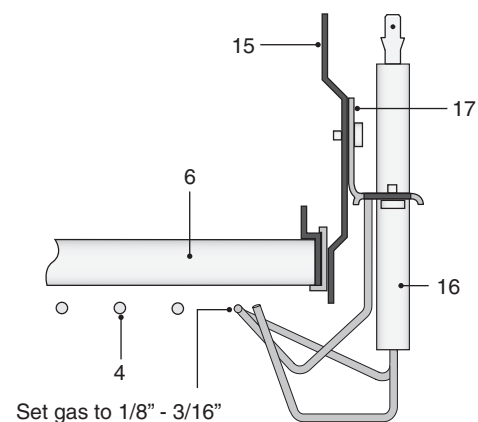
Figure 1 • Heater Assembly Components (side view)



**Key:**

- |                           |                                                   |
|---------------------------|---------------------------------------------------|
| 1. Manifold               | 12. Pilot Orifice                                 |
| 2. Gas Orifice            | 13. Pilot Shield                                  |
| 3. Flashshield            | 14. Glo-Coil Mounting Location                    |
| 4. Rods                   | 15. *Side Frame                                   |
| 5. Reflector Assembly     | 16. *Electrode                                    |
| 6. Ceramic                | 17. *Electrode Mounting Bracket                   |
| 7. Rayhead Assembly       | 18. *Pilot Spark Electrode                        |
| 8. Back Plate             | 19. *Thermocouple/Powerpile/Flame Detector Switch |
| 9. Circuit Board/Controls |                                                   |
| 10. Gas Valve             |                                                   |
| 11. Pilot Burner          | *Applicable when equipped                         |

**A • Spark Electrode Side View (NFS/PFS)**



**B • Pilot Assembly Side View (NMV/PMV)**

