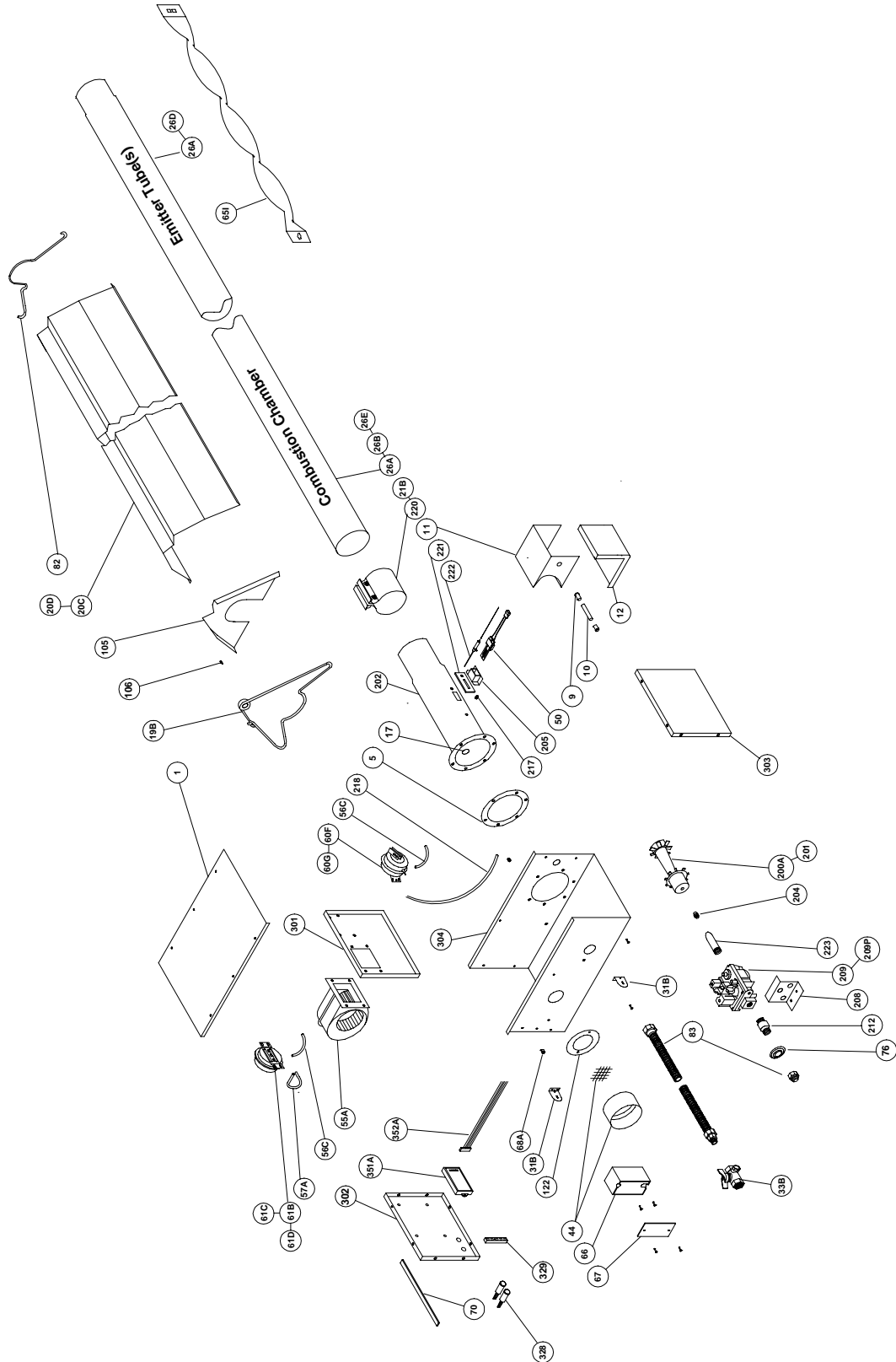


# DX-2 Series

## Parts Breakdown





## DX-2 SERIES PARTS LISTING

Part #	Description	Part #	Description
TP-1	CONTROL BOX COVER	TP-82	REFLECTOR CENTER SUPPORT
TP-5	FLANGE GASKET	TP-83	STAINLESS STEEL FLEX CONNECTOR
TP-9	CONDUIT COUPLING	TP-105	REFLECTOR END CAP
TP-10	CONDUIT 4" X 1/2"	TP-106	REFLECTOR CLIP
TP-11	GLO-BAR IGNITOR BOX	TP-108	5' AL-TI TUBE, PAINTED WITH ONE CLAMP
TP-12	GLO-BAR IGNITOR BOX COVER	TP-111	5' ALUM. TUBE, PAINTED WITH ONE CLAMP
TP-17	SIGHT GLASS KIT	TP-112	5' REFLECTOR
TP-19B	WIRE HANGER W/ SPRING CLIP	TP-122	GASKET FOR AIR ORIFICE & AIR COLLAR
TP-20C	120" ALUMINUM REFLECTOR	TP-200A	BURNER (50 TO 100 MBTU/H)
TP-20D	120" STAINLESS STEEL REFLECTOR	TP-201	BURNER (125 TO 200 MBTU/H)
TP-21B	TUBE CLAMP	TP-202	16" BURNER TUBE WITH FLANGE
TP-26A	10 FT. ALUM. RADIANT/COMBUSTION TUBE	TP-204	GAS ORIFICE - CONSULT FACTORY
TP-26B	10 FT. TITANIUM COMBUSTION TUBE	TP-205	GLO-BAR HOLDER
TP-26D	10 FT. 304 STAINLESS RADIANT TUBE	TP-208	"Z" MOUNTING BRACKET
TP-26E	10 FT. 409 STAINLESS STEEL COMBUSTION TUBE	TP-209	36E36A-246 GAS VALVE - NAT GAS ASSY
TP-31B	CONTROL BOX BRACKET	TP-209P	36E36A-240 GAS VALVE - LP GAS ASSY
TP-33B	1/2" GAS COCK	TP-212	1/2" X 3" PIPE NIPPLE
TP-44	AIR ORIFICE W/SCREEN - CONSULT FACTORY	TP-217	PRESSURE BARB FITTING
TP-50	GLO-BAR IGNITOR	TP-218	EXHAUST PRESSURE TUBE (VINYL)
TP-55A	FAN BLOWER	TP-220	STAIN. STL. TUBE CLAMP (175 & 200 MBTU/H)
TP-56C	1/4" ATMOSPHERIC TUBE (VINYL)	TP-221	GLO-BAR HOLDER GASKET
TP-57C	1/4" PRESSURE SENSING TUBE (VINYL)	TP-222	FLAME ROD
TP-60F	EXHAUST P.S. (50 TO 150 MBH) #PPS 10070-2553	TP-223	GAS MANIFOLD
TP-60G	EXHAUST P.S. (175 & 200 MBH) #PPS 10070-2554	TP-301	DIVIDER PANEL W/ P.S. MOUNTING TABS
TP-61B	BURNER P.S. (50 TO 100MBH) #PPS 10069--2550	TP-302	LEFT END PANEL W/ LIGHT HOLES
TP-61C	BURNER P.S. (200 MBH) #PPS 10069--2552	TP-303	RIGHT END PANELS - NO HOLES
TP-61D	BURNER P.S. (125, 150, 175 MBH) #PPS 10069--2551	TP-304	CONTROL BOX
TP-65I	INTERLOCKING 33" BAFFLE SECTION	TP-328	120V INDICATOR LIGHT
TP-66	2" X 4" OUTLET BOX	TP-329	1/4" NEUTRAL TERMINAL BLOCK
TP-67	2" X 4" OUTLET BOX COVER	TP-330	DIVIDER GROMMET
TP-68A	STRAIN RELIEF BUSHING	TP-331	GREEN SELF TAP GROUND SCREW
TP-70	CONTROL BOX COVER GASKET (PER FOOT**)	TP-351A	MARK 17DU-117 POTTED CIRCUIT BOARD
TP-76	RUBBER GROMMET	TP-352A	LONG WIRING HARNESS FOR 17DU-117

6" TOTAL NEEDED TO COVER OUTER EDGES OF BURNER BOX

