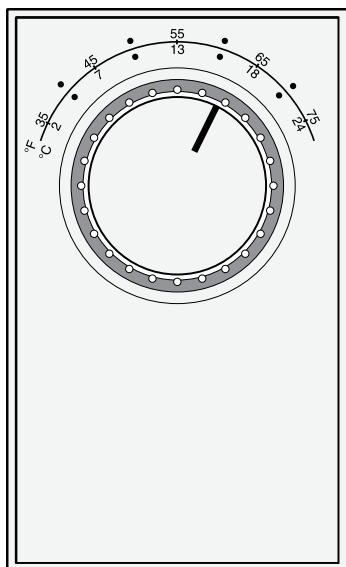


Low Intensity Two-Stage Thermostat

Columbus Electric ETD-5MS



Range
35°F to 75°F

Differential
2°F Fixed

Contact Action
Opens on rise

Electrical Rating
22 AMP at
24/125/277 VAC

Dimensions
Height: 4.75"
Width: 2.75"
Depth: 2.75"

Operation
Two-stage, Low Voltage

Additional Features

- Snap action switch.
- Single or double pole with positive off.
- UL listed and CSA certified.

Typical Wiring Diagrams

Figure 1 • HL2 Series heaters with an ETD-5MS thermostat.
Single heater, single thermostat. No HLRB (relay board) is installed.

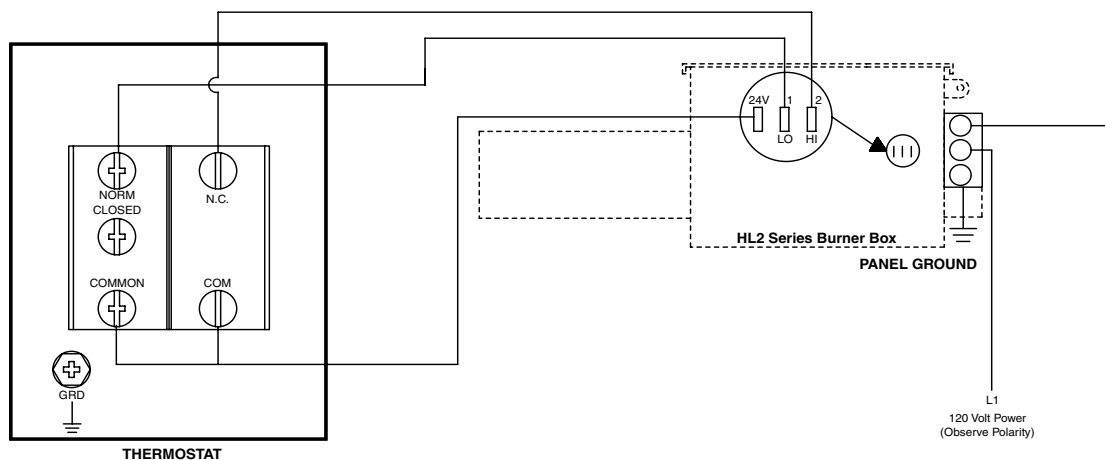


Figure 2 • HL2 Series heaters with an ETD-5MS thermostat.
Single heater or multiple heaters, single thermostat utilizing OPTIONAL HLRB (relay board) complete with external transformer.

