

DETROIT RADIANT

RE-VERBER-RAY

RADIANT GAS HEATERS®

PRODUCTS COMPANY

COMMERCIAL & INDUSTRIAL

SERIES

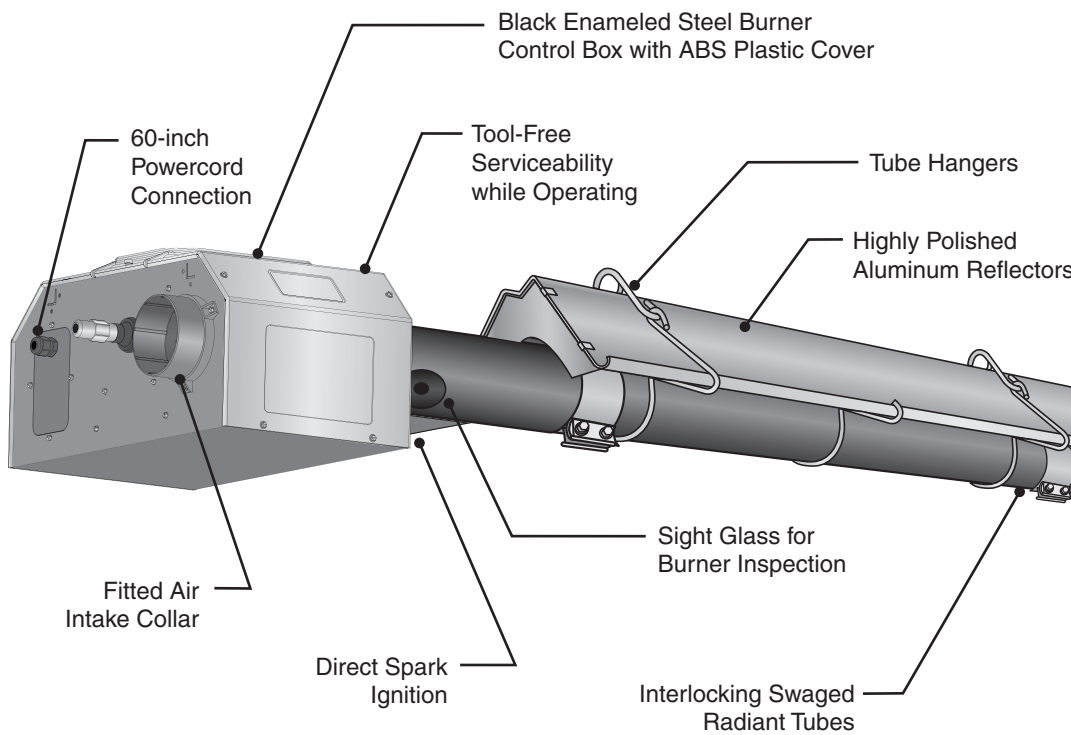


DET3 SERIES

GAS-FIRED, TWO STAGE, ECONOMY INFRARED HEATERS

Streamlined for economy and designed without sacrificing performance, the DET3 Series is a quality, energy efficient infrared heater at a more economical price. Our patented **two stage technology**, incorporated into the DET3 Series, provides more comfort while saving valuable energy dollars. Utilizing a direct spark ignition system and hot-rolled steel emitter tubes, this series is the best in this class of equipment.

PRODUCT FEATURES



SPECIFIC FEATURES



- Tool-free access to controls.
- Serviceability while unit is operating.
- Separated air and gas burner chamber.
- Symmetrical placement of ignition tube.
- Hinged control compartment provides ease in servicing.
- 3-piece independent compartment cover.
- ABS plastic air intake collar for connection to 4" PVC/DWV pipe.

PRODUCT FEATURES COMPARISON CHART

	HL3	DX3	XTS3	DET3	DES3
Highly Polished Aluminum Reflectors	•	•	•	●	•
Coated Titanium or Aluminized Combustion Chamber	•	•	•	●	•
Coated Aluminized Radiant Tubes	•	•	•	•	•
Hot Surface Ignition	•	•	•	•	•
Stainless Steel Flexible Gas Connector	•	•	•	●	•
Ball Valve (1/2" Brass) with Pressure Tap Included	•	•	•	•	•
Two-stage Technology	•	•	•	●	•
Interlocking Swaged Tubes	•	•	•	●	•
Stainless Steel Models Available*	•	•	•	•	•
Reflector End Caps	•	•	•	•	•
Optional 'U' or 'L' Configurations Available	•	•	•	●	•

* Select upgrades available; full stainless models are available in the HL2 and DX2 Series offering.

DETROIT RADIANT PRODUCTS CO.

21400 Hoover Rd.
Warren, MI 48089-3162

Phone: (586) 756-0950
Toll Free: 1-800-222-1100
Fax: (586) 756-2626
E-mail: sales@drp-co.com
Website: www.reverberray.com

VISIT OUR WEBSITE FOR:

- Product Specs
- Parts Support
- Dealer Locator
- Applications
- C.A.D. Library
- Design Guidelines
- Theory of Infrared
- and More!

DET3 SERIES

SPECIFICATIONS

PRODUCT SPECIFICATIONS



BTU Range:	65,000 to 200,000 BTU/h
Lengths:	20-60 Ft.
Gas Type:	Natural or Propane
Combustion Chamber:	Titanium Stabilized or Aluminized Steel
Radiant Tubes:	Hot-Rolled Steel
Certification:	CSA, IAS
Limited Warranty:	1-2-3 (Components-Tubes-Burner)

OPTIONAL EQUIPMENT

U or L Configurations:	Available (RU, RE)
Stainless Steel Upgrades:	Available (SSRAO, SSC, SSB)
24V Controls:	Standard
Indicator Lights:	Standard
Protective Guards:	Available (PG)
Side Shield Extensions:	Available (SSE)
Outdoor Approval:	Not Available

ELECTRICAL

- 120V, 60Hz, 3-wire.
- 1.7A starting, 1.1A running.

CONTROL BOX

- Potted circuitry.
- 24V thermostat control.
- ABS plastic cover.

TUBE CONSTRUCTION

- As shown to left.
- 4" x 10' 16 ga. construction.
- Labor saving, interlocking swaged tube design.

REFLECTORS

- Highly polished aluminum.
- 0° - 45° rotatable angle.

IGNITION/SENSE

- Direct spark ignition.
- Flame rod sense.

VENTING

- 4" single vent.
- 6" common vent (with single thermostat).

GAS CONNECTION

- 1/2" NPT ball valve/inlet tap included.

GAS PRESSURES

- MAN. - 3.5" NAT or 10.0" LP
- MIN. - 5.0" NAT or 11.0" LP
- MAX. - 14.0" NAT or 14.0" LP

COMBUSTION AIR

- Equipped for ducted air intake from roof or sidewall.

KIT CONTENTS

- All hangers & couplers.
- Turbulator baffles.

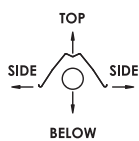
AVAILABLE DET3 MODELS & CLEARANCES

MODEL #	GAS*	BTU/h HIGH FIRE	BTU/h LOW FIRE	LENGTH	WEIGHT	MOUNTING HEIGHTS**
DET3-20-65	N or LP	65,000	50,000	21' - 9"	120 lbs.	9' to 14'
DET3-20-75	N or LP	75,000	50,000	21' - 9"	120 lbs.	10' to 15'
DET3-30-65	N or LP	65,000	50,000	31' - 5"	160 lbs.	10' to 15'
DET3-30-75	N or LP	75,000	50,000	31' - 5"	160 lbs.	11' to 18'
DET3-30-100	N or LP	100,000	65,000	31' - 5"	160 lbs.	12' to 20'
DET3-40-65	N or LP	65,000	50,000	41' - 1"	190 lbs.	11' to 18'
DET3-40-75	N or LP	75,000	50,000	41' - 1"	190 lbs.	11' to 18'
DET3-40-100	N or LP	100,000	65,000	41' - 1"	190 lbs.	12' to 20'
DET3-40-125	N or LP	125,000	95,000	41' - 1"	190 lbs.	13' to 23'
DET3-40-150	N or LP	150,000	100,000	41' - 1"	190 lbs.	14' to 25'
DET3-50-125	N or LP	125,000	95,000	50' - 9"	235 lbs.	15' to 27'
DET3-50-150	N or LP	150,000	100,000	50' - 9"	235 lbs.	15' to 27'
DET3-50-175	N or LP	175,000	125,000	50' - 9"	235 lbs.	16' to 30'
DET3-50-200	N or LP	200,000	145,000	50' - 9"	235 lbs.	17' to 35'
DET3-60-150	N or LP	150,000	100,000	60' - 5"	265 lbs.	16' to 30'
DET3-60-175	N or LP	175,000	125,000	60' - 5"	265 lbs.	16' to 30'
DET3-60-200	N or LP	200,000	145,000	60' - 5"	265 lbs.	17' to 35'

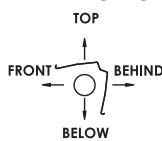
* Specify natural (N) or propane (LP) gas.

** Recommended mounting heights are provided as a guideline. Actual conditions may dictate variations from the above data.

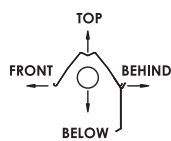
0° Mounting Angle



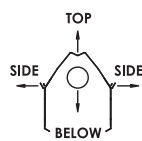
45° Mounting Angle



0° W/ 1 Side Shield



0° W/ 2 Side Shields



DET3 CLEARANCES TO COMBUSTIBLES (IN.)

MODEL NO.	MOUNTING ANGLE	SIDE		TOP	BELOW	
		FRONT	BEHIND			
DET3-(20,30,40)-(65,75)	0°	9	9	6	60	
	45°	39	8	10	60	
	W/1 side shield	0°	29	8	6	60
	W/2 side shields	0°	9	9	6	60
DET3-(30,40)-100	0°	7	7	6	30	
	45°	14	14	6	66	
	W/1 side shield	0°	29	8	6	66
	W/2 side shields	0°	16	16	6	66
DET3-(40,50)-125	0°	7	7	6	30	
	45°	20	20	6	76	
	W/1 side shield	0°	42	8	6	76
	W/2 side shields	0°	20	20	6	76
DET3-(40,50,60)-150	0°	7	7	6	30	
	45°	24	24	6	81	
	W/1 side shield	0°	58	8	10	81
	W/2 side shields	0°	42	8	6	81
DET3-(50,60)-175	0°	11	11	6	44	
	45°	34	34	6	92	
	W/1 side shield	0°	50	8	6	92
	W/2 side shields	0°	30	30	6	92
DET3-(50,60)-200	0°	11	11	6	44	
	45°	41	41	6	94	
	W/1 side shield	0°	63	8	10	94
	W/2 side shields	0°	54	8	6	94
20 ft. from burner	0°	11	11	6	44	

Always maintain the published clearances to combustibles.

Clearances published in DET3 Series manual and on warning label supersede data shown on this brochure.

DISTRIBUTED BY:

