

SERIES



QTD ○ QTS

QTD SERIES

QUAD TUBE, MULTI-BURNER, TWO-STAGE LOW-INTENSITY HEATER

The two-stage QTD Series offers a unique and innovative heating solution. Its design incorporates the modular benefits of high-intensity infrared with the application versatility of low-intensity infrared. Distinctive construction features include a multi-burner, multi-exchanger, multi-reflector platform optimized for a broad and even heat output pattern. The enhanced two-stage feature of the QTD Series increases comfort levels while reducing energy costs. CSA Design Certified for indoor or outdoor applications, the QTD Series is a right choice for a wide variety of applications.

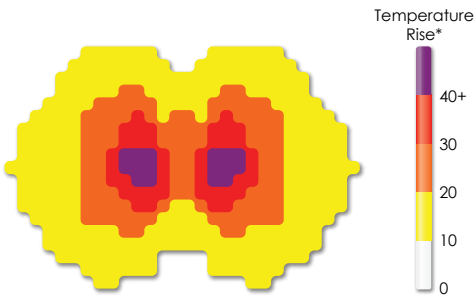
DETROIT RADIANT

RE-VERBER-RAY

INFRARED RADIANT HEATERS®

PRODUCTS COMPANY

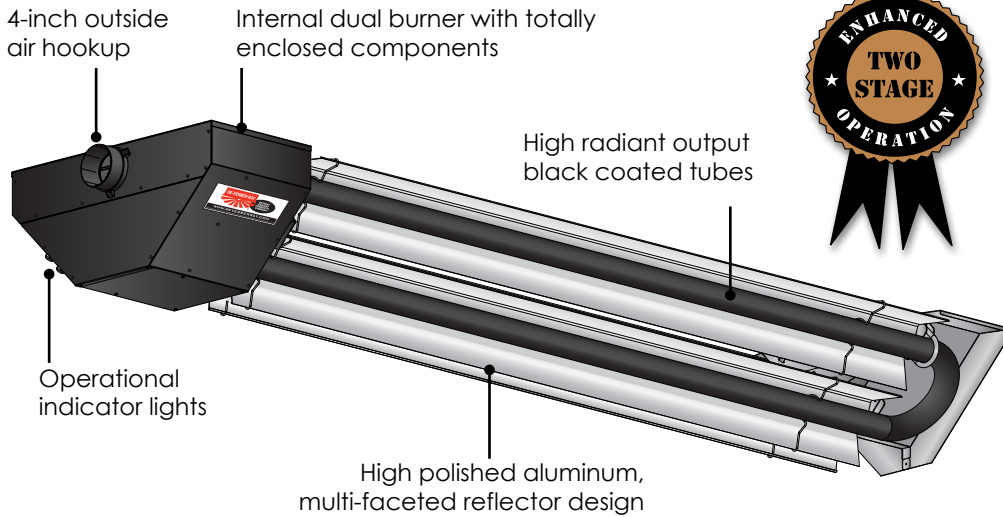
COMPACT COMFORT



* Indoor Lab Test Conditions



PRODUCT FEATURES



TYPICAL APPLICATIONS

- Restaurant Patios
- Bus Stops
- Golf Ranges
- Check-in/out Areas
- Vestibules
- Entrance Ways
- Smoking Areas
- Valet Waiting Areas
- Work Stations
- Spot or Total Building Heat

- Compact, aesthetically pleasing construction.
- Easy to install with minimal assembly required.
- Proven fuel savings.
- Multiple construction features including: dual spark ignition, highly emissive heat exchangers, highly polished aluminum reflectors, operational indicator lights and more.
- Designed and packaged for ease in transportation.
- CSA Design Certified for both indoor and outdoor use and to Agricultural and Commercial/Industrial Standards.

DETROIT RADIANT PRODUCTS CO.

21400 Hoover Rd.
Warren, MI 48089-3162



Phone: (586) 756-0950
Toll Free: 1-800-222-1100
Fax: (586) 756-2626
Email: sales@drp-co.com
Website: www.reverberray.com

VISIT OUR WEBSITE FOR:

- Product Specs
- Parts Support
- Dealer Locator
- Applications
- C.A.D. Library
- Design Guidelines
- Theory of Infrared
- and More!

QTD SERIES SPECIFICATIONS



PRODUCT SPECIFICATIONS

Input Range:	60,000 to 80,000 BTU/h
Lengths:	107"
Gas Type:	Natural or Propane
Burner Control Box:	Coated Enameled Steel
Radiant Emitter Tubes:	Coated Aluminized Steel
Certification:	CSA Design Certified
Limited Warranty:	1-3-5 (Components-Tubes-Burners)
Outdoor Approval:	Optional OD-KIT Add-On
24V Controls:	4000-01V External transformer required for controlling multiple units with a single control.
Operational Indicator Lights:	Standard

ELECTRICAL

- 120V/1 Ph./60 Hz.
- Starting amps - 1.5.
- Running amps - 1.1.
- 24V burner input w/ 24V field select output switch.

INTERNAL CONTROLS

- Two-stage gas valve.
- 3-try dual spark ignition.
- Safety pressure switch.
- Self-diagnostic w/ LED.
- Pre & post purge controls.

TUBE CONSTRUCTION

- 2.25" O.D., 16 ga. aluminized steel construction.
- All tubes coated with high temperature, corrosion resistant black coating, .95 emissivity.

APPROVALS

- Indoor/Outdoor.
- Commercial/Brooder.

REFLECTORS (4)

- Highly polished aluminum.
- Multi-facet design.
- Pre-set angle for optimal output.

VENTING

- 4" single vent.
- Sidewall or roof venting.

COMBUSTION AIR

- Preset 4 in. combustion air inlet collar.

GAS CONNECTION

- 1/2 in. x 24 in. stainless steel flex.
- 1/2" F NPT ball valve & inlet tap.

GAS PRESSURES

- Manifold: 3.5" NAT or 10.0" LP
- Min. Inlet: 5.0" NAT or 11.0" LP
- Max. Inlet: 14.0" NAT or 14.0" LP

KIT CONTENTS

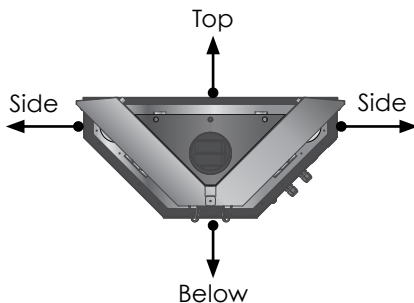
- 4" vent adapter fitting.
- 81" x 4" spiral vent pipe.
- 24" flexible gas connector.

AVAILABLE QTD SERIES MODELS

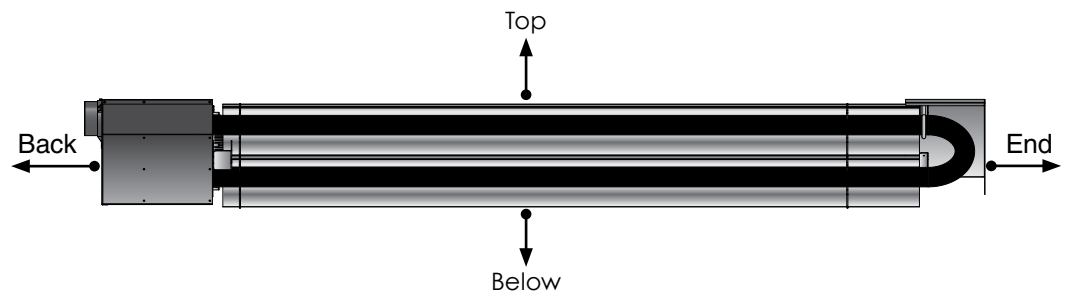
MODEL NUMBER	GAS TYPE	BTU/H HIGH FIRE	BTU/H LOW FIRE	OVERALL LENGTH	WEIGHT (LBS.)	RECOMMENDED MOUNTING HEIGHTS*	CLEARANCE TO COMBUSTIBLES**				
							TOP	SIDES	BELOW	BACK	END
QTD-60N	Natural	60,000	40,000	107"	103	8' to 12'	10	36	40	6	12
QTD-60P	Propane	60,000	40,000			8' to 12'	10	36	40	6	12
QTD-80N	Natural	80,000	50,000			10' to 14'	10	36	40	6	12
QTD-80P	Propane	80,000	50,000			10' to 14'	10	36	40	6	12

* Recommended mounting heights are provided as a guideline. Actual conditions, such as outdoor or spot heating, may dictate variations from this data.

** Clearances published in QTD Series manual and on warning label supersede data shown on this brochure.

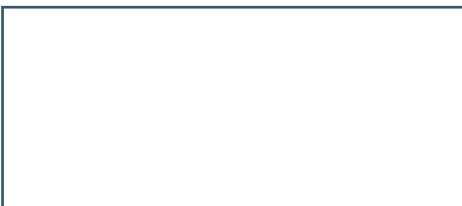


Clearance to Combustibles
Diagram: End View



Clearance to Combustibles
Diagram: Side View

DISTRIBUTED BY:



NOT FOR RESIDENTIAL USE!

