

SERIES

○ QTD ● QTS

QTS SERIES

QUAD TUBE, MULTI-BURNER, SINGLE-STAGE LOW-INTENSITY HEATER

The single-stage QTS Series was designed to incorporate the modular benefits of high-intensity infrared with the application versatility of low-intensity infrared. Unique construction features include a multi-burner, multi-exchanger, multi-reflector platform optimized for a broad and even heat output pattern.

Operational benefits include fuel savings, spot heating functionality, low electrical consumption and low mounting height application. The QTS Series is CSA Design Certified for indoor or outdoor applications.

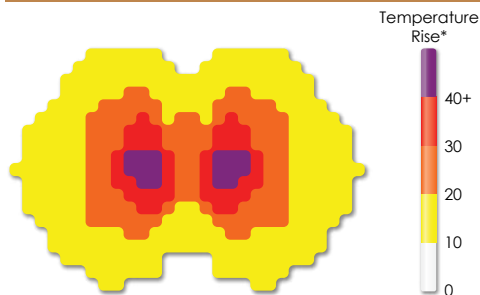
DETROIT RADIANT

RE-VERBER-RAY

INFRARED RADIANT HEATERS®

PRODUCTS COMPANY

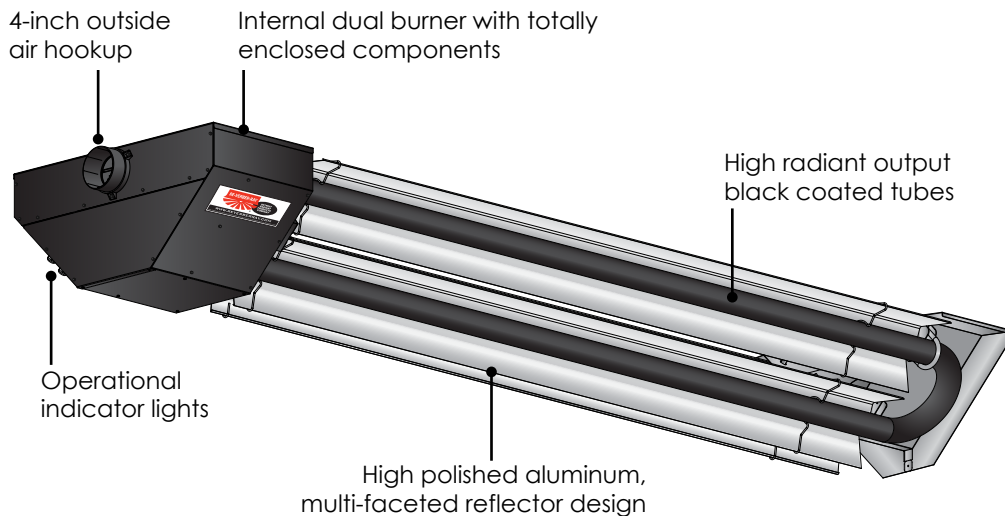
COMPACT COMFORT



* Indoor Lab Test Conditions



PRODUCT FEATURES



- Compact, aesthetically pleasing construction.
- Easy to install with minimal assembly required.
- Proven fuel savings.
- Multiple construction features including: dual spark ignition, highly emissive heat exchangers, highly polished aluminum reflectors, operational indicator lights and more.
- Designed and packaged for ease in transportation.
- CSA Design Certified for both indoor and outdoor use and to Agricultural and Commercial/Industrial Standards.

TYPICAL APPLICATIONS

- Restaurant Patios
- Bus Stops
- Golf Ranges
- Check-in/out Areas
- Vestibules
- Entrance Ways
- Smoking Areas
- Valet Waiting Areas
- Work Stations
- Spot or Total Building Heat

DETROIT RADIANT PRODUCTS CO.

21400 Hoover Rd.
Warren, MI 48089-3162

Phone: (586) 756-0950
Toll Free: 1-800-222-1100
Fax: (586) 756-2626
Email: sales@drp-co.com
Website: www.reverberray.com



VISIT OUR WEBSITE FOR:

- Product Specs
- Parts Support
- Dealer Locator
- Applications
- C.A.D. Library
- Design Guidelines
- Theory of Infrared
- and More!

QTS SERIES SPECIFICATIONS



PRODUCT SPECIFICATIONS

Input Range:	60,000 to 80,000 BTU/h
Lengths:	107"
Gas Type:	Natural or Propane
Burner Control Box:	Coated Enameled Steel
Radiant Emitter Tubes:	Coated Aluminized Steel
Certification:	CSA Design Certified
Limited Warranty:	1-3-5 (Components-Tubes-Burners)
Outdoor Approval:	Optional OD-KIT Add-On
24V Controls:	4000-01V External transformer required for controlling multiple units with a single control.
Operational Indicator Lights:	Standard

ELECTRICAL

- 120V/1 Ph/60 Hz.
- Starting amps - 1.5.
- Running amps - 1.1.
- 24V thermostatic control.

INTERNAL CONTROLS

- 3-try dual spark ignition.
- Safety pressure switch.
- Self-diagnostic w/ LED.
- Pre & post purge controls.

TUBE CONSTRUCTION

- 2.25" O.D., 16 ga. aluminized steel construction.
- All tubes coated with high temperature, corrosion resistant black coating, .95 emissivity.

APPROVALS

- Indoor/Outdoor.
- Commercial/Brooder.

REFLECTORS (4)

- Highly polished aluminum.
- Multi-facet design.
- Pre-set angle for optimal output.

VENTING

- 4" single vent.
- Sidewall or roof venting.

COMBUSTION AIR

- Preset 4 in. combustion air inlet collar.

GAS CONNECTION

- 1/2 in. x 24 in. stainless steel flex.
- 1/2" F NPT ball valve & inlet tap.

GAS PRESSURES

- Manifold: 3.5" NAT or 10.0" LP
- Min. Inlet: 5.0" NAT or 11.0" LP
- Max. Inlet: 14.0" NAT or 14.0" LP

KIT CONTENTS

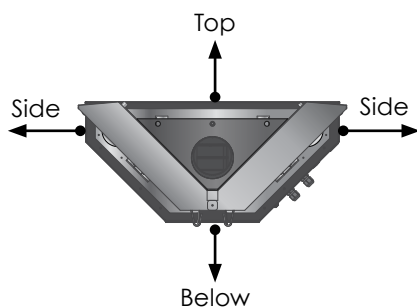
- 4" vent adapter fitting.
- 81" x 4" spiral vent pipe.
- 24" flexible gas connector.

AVAILABLE QTS SERIES MODELS

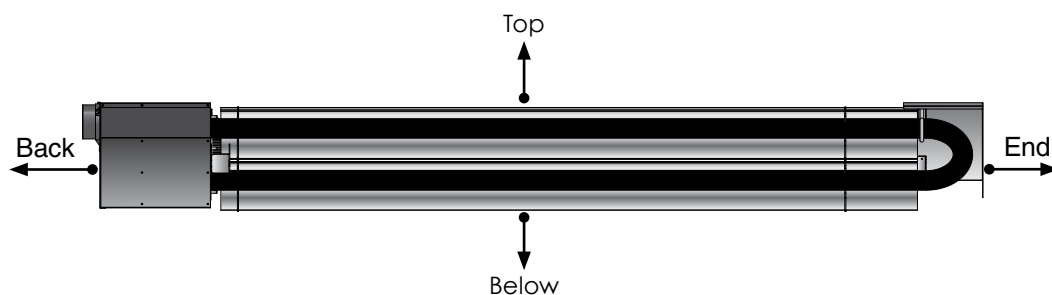
MODEL NUMBER	GAS TYPE	INPUT BTU/H	OVERALL LENGTH	WEIGHT (LBS.)	RECOMMENDED MOUNTING HEIGHTS*	CLEARANCE TO COMBUSTIBLES**				
						TOP	SIDES	BELOW	BACK	END
QTS-60N	Natural	60,000	107"	103	8' to 12'	10	36	40	6	12
QTS-60P	Propane	60,000			8' to 12'	10	36	40	6	12
QTS-80N	Natural	80,000			10' to 14'	10	36	40	6	12
QTS-80P	Propane	80,000			10' to 14'	10	36	40	6	12

* Recommended mounting heights are provided as a guideline. Actual conditions, such as outdoor or spot heating, may dictate variations from this data.

** Clearances published in QTS Series manual and on warning label supersede data shown on this brochure.

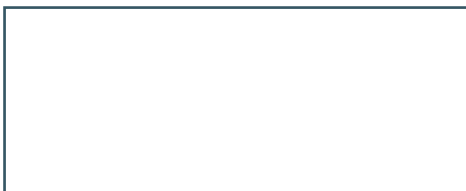


Clearance to Combustibles
Diagram: End View



Clearance to Combustibles
Diagram: Side View

DISTRIBUTED BY:



NOT FOR RESIDENTIAL USE!

