

DETROIT RADIANT

RE-VERBER-RAY

INFRARED RADIANT HEATERS®

PRODUCTS COMPANY

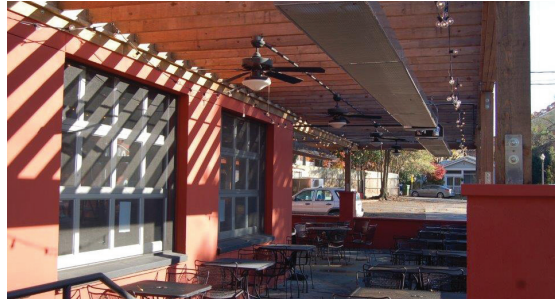
SERIES ● LD3 ○ LRS3

LD3 SERIES

RESIDENTIALLY APPROVED GAS FIRED INFRARED HEATERS

The LD3 Series extends the energy saving benefits of two-stage technology to many commercial, industrial and residential applications. Designed for lower mounting heights, the LD3 Series is ideal for low ceiling commercial/industrial areas such as entry ways, mezzanines, lunch rooms and restaurant patios. Specific models are suitable in residential garages, enclosed swimming pools, solariums and porches.

RESIDENTIAL / LOW MOUNT



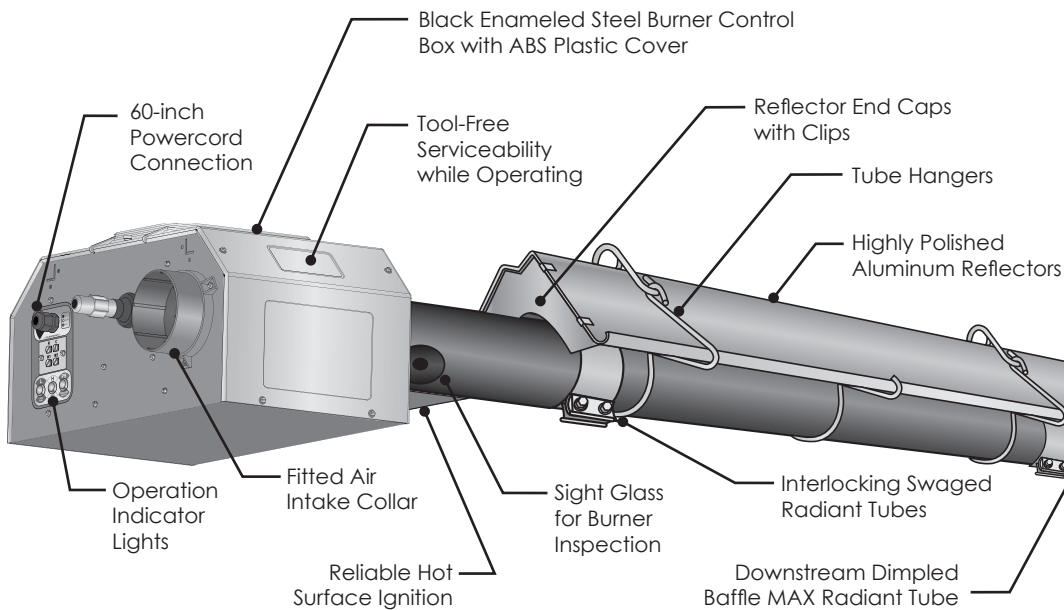
SPECIFIC FEATURES



- Tool-free access to controls.
- Serviceability while unit is operating.
- Separated air and gas burner chamber.
- Symmetrical placement of ignition tube.
- Hinged control compartment provides ease in servicing.
- 3-piece independent compartment cover.
- ABS plastic air intake collar for connection to 4" PVC/DWV pipe.

PRODUCT FEATURES

TWO-STAGE



- Two-stage Technology.
- BTU/h Inputs of 40,000 & 50,000.
- Available in Tube Lengths of 15 to 30 Ft.
- Coated Titanium Treated Combustion Chamber.
- Coated Aluminized Steel Radiant Tubes.
- Highly Polished Aluminum Reflectors.
- 24V Control Wiring with Micro-processor Circuitry.
- Hot Surface Ignition with Flame Rod Sensing.

DETROIT RADIANT PRODUCTS CO.

21400 Hoover Rd.
Warren, MI 48089-3162

Phone: (586) 756-0950
Toll Free: (800) 222-1100
Fax: (586) 756-2626
E-mail: sales@drp-co.com

linkedin.com/company/2169708
facebook.com/reverberray



VISIT REVERBERRAY.COM FOR:

- Product Specs
- CAD/Revit Library
- Parts Support
- Design Guidelines
- Dealer Locator
- Informative Videos
- Applications
- and More!

Learn more at youtube.com/reverberray



LD3 SERIES

SPECIFICATIONS



PRODUCT SPECIFICATIONS

Input Range:	40,000 to 50,000 BTU/h
Lengths:	15-30 Ft.
Gas Type:	Natural or Propane
Combustion Chamber:	Black Coated Titanium Treated Steel
Radiant Tubes:	Black Coated Aluminized Steel
Certification:	ANSI Z83.20, CSA 2.34, CSA No. 7-89
Limited Warranty:	1-3-5 (Components-Tubes-Burner)

OPTIONAL EQUIPMENT

'U' or 'L' Configurations:	Available on Most Models
Stainless Steel Upgrades:	Available (SSRAO, SSRAO-5)
24V Controls:	Standard
Indicator Lights:	Standard
Protective Guards:	Available (PG)
Side Shield Extensions:	Available (SSE)
Outdoor Approval:	Available (OD-KIT)

ELECTRICAL

- 120V, 60Hz, 1 Ph., 3-wire.
- 4.8A starting, 1.1A running.

CONTROLS

- Pre & post purge.
- 24V thermostat control.
- Micro-processor circuitry.

TUBE CONSTRUCTION

- Stated to the left.
- 4" to 3" 16 ga. tapered construction.
- Patent pending "Dimpled Baffle MAX".
- Labor saving, interlocking swaged tube design.

REFLECTORS

- Highly polished aluminum.
- End caps included.
- 0° - 45° rotatable angle.
- Tension springs.

IGNITION/SENSE

- Hot surface ignition.
- Flame rod sense.
- Self-diagnostic LED

COMBUSTION AIR

- Equipped for ducted air intake from roof or sidewall.

VENTING

- 3" single vent.
- 3"x4"x3" common Y vent. (with single thermostat & ERK accessory).
- Required for residential applications.

GAS CONNECTION

- 1/8 in. F NPT ball valve & inlet tap included.
- 5/8 in. flare connecting to 1/2 in. NPT adapter to 1/2 in. x 24 in. (304) SS flex connector provided.

GAS SUPPLY (Inches W.C.)

- MAN: 3.5" Nat. or 10.0" Prop.
- MIN: 5.0" Nat. or 11.0" Prop.
- MAX: 14.0" Nat. or 14.0" Prop.

KIT CONTENTS

- All hangers & couplers.
- Reflector end caps.

AVAILABLE LD3 MODELS & CLEARANCES

MODEL #	GAS ¹	BTU/h High Fire	BTU/h Low Fire	STRAIGHT LENGTH	'U' TUBE LENGTH	SHIP WEIGHT	TYP. OR RCMD. MOUNTING HEIGHTS ²		CLEARANCE TO COMBUSTIBLES ⁴		
							MOUNTING HEIGHTS ²	MOUNTING ANGLE ⁵	SIDES	TOP	BELOW
LD3-15-40	Nat or Prop.	40,000	28,000	16'-10"	N/A	85 lbs.	8' to 13'	0	15	6	45
LD3-15-50	Nat or Prop.	50,000	35,000	16'-10"	N/A	85 lbs.	10' to 15'	0	11	6	48
LD3-20-40	Nat or Prop.	40,000	28,000	21'-10"	13'-0"	100 lbs.	8' to 13'	0	15	6	45
LD3-20-50	Nat or Prop.	50,000	35,000	21'-10"	13'-0"	100 lbs.	9' to 15'	0	11	6	48
LD3-30-50 ³	Nat or Prop.	50,000	35,000	31'-7"	17'-8"	120 lbs.	9' to 14'	0	11	6	48

¹ Models approved for Both commercial/industrial and residential use.

² Models approved for Commercial/industrial use only.

¹ Specify natural (Nat.) or propane (Prop.) gas at time of order.

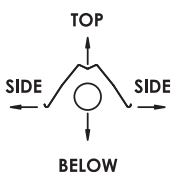
² If the heater is mounted below 8 feet, protective guards (PG) are required. Typical or recommended mounting heights are provided as a guideline. Actual conditions may dictate variations from the above data.

³ Model requires LV3-5EA-SUB optional accessory package when installing in a 'U' configuration.

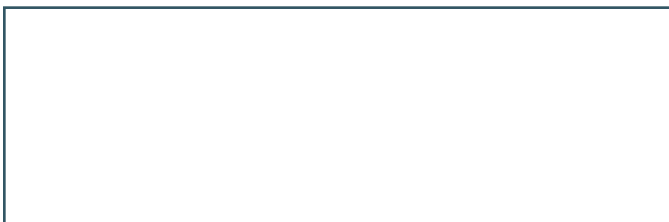
⁴ Always maintain clearance to combustibles. Use high BTU output when determining clearances. The minimum end clearance is 12 in. Place signs where necessary in accordance with ANSI/NFPA Standards. Clearances published in LD3 Series manual and on warning label supersede data shown on this brochure. Clearances posted above reflect those of a heater installed at a mounting angle of 0° from horizontal and without the use of add-on options.

⁵ Heaters mounted on an angle between 0° to 45° must maintain clearances posted for 0° or 45°; whichever is greater (not shown). See LD3 Series installation manual for additional information.

0° Mounting Angle



DISTRIBUTED BY:



Re-Verber-Ray® is a registered trademark of Detroit Radiant Products Company. Due to continuous product innovation, Detroit Radiant Products Co. reserves the right to change product specifications without prior notice.

LBD3-2M-2/14 (AOG)