

DETROIT RADIANT

RE-VERBER-RAY

INFRARED RADIANT HEATERS®

PRODUCTS COMPANY

SERIES **OLD3** ● **LS3**

LS3 SERIES

RESIDENTIALLY APPROVED GAS FIRED INFRARED HEATERS

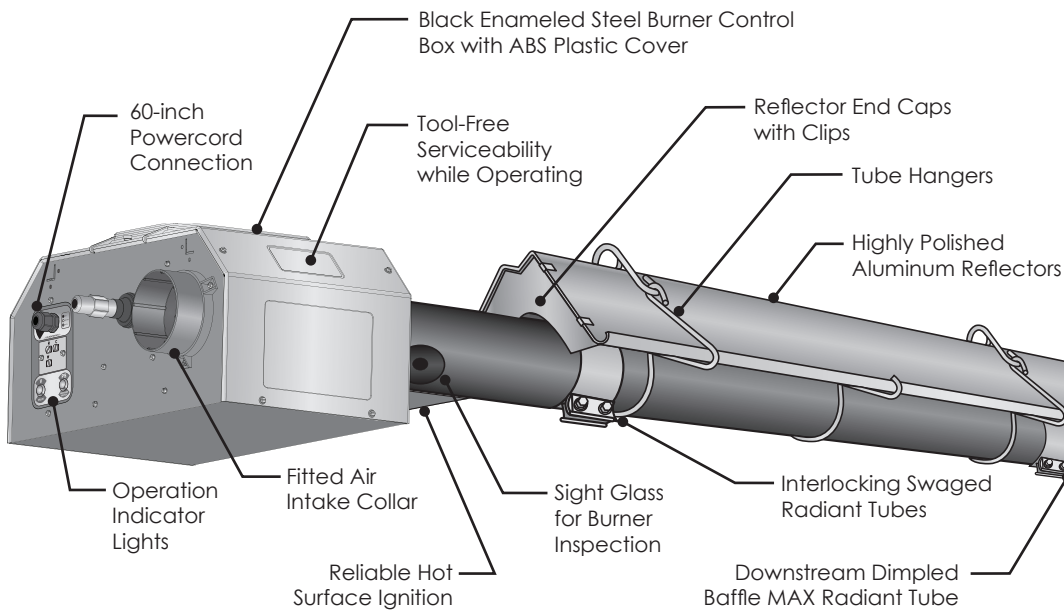
The LS3 Series single stage heater represents the finest in single stage, low BTU infrared tube heaters. Designed for lower mounting heights, the LS3 Series is ideal for low ceiling commercial/industrial areas such as entrance ways, mezzanines, lunch rooms and restaurant patios. Specific models are suitable in residential garages, enclosed swimming pools, solariums and porches.

RESIDENTIAL / LOW MOUNT



PRODUCT FEATURES

SINGLE-STAGE



- BTU/h Inputs of 25,000 to 50,000.
- Available in Tube Lengths of 10 to 30 Ft.
- Coated Titanium Treated Combustion Chamber.
- Coated Aluminized Steel Radiant Tubes.
- Highly Polished Aluminum Reflectors.
- 24V Control Wiring with Micro-processor Circuitry.
- Hot Surface Ignition with Flame Rod Sensing.

SPECIFIC FEATURES



- Tool-free access to controls.
- Serviceability while unit is operating.
- Separated air and gas burner chamber.
- Symmetrical placement of ignition tube.
- Hinged control compartment provides ease in servicing.
- 3-piece independent compartment cover.
- ABS plastic air intake collar for connection to 4" PVC/DWV pipe.

DETROIT RADIANT PRODUCTS CO.

21400 Hoover Rd.
Warren, MI 48089-3162

Phone: (586) 756-0950
Toll Free: (800) 222-1100
Fax: (586) 756-2626
E-mail: sales@drp-co.com

linkedin.com/company/2169708
facebook.com/reverberray



VISIT REVERBERRAY.COM FOR:

- Product Specs
- CAD/Revit Library
- Parts Support
- Design Guidelines
- Dealer Locator
- Informative Videos
- Applications
- and More!

Learn more at youtube.com/reverberray



LS3 SERIES

SPECIFICATIONS



PRODUCT SPECIFICATIONS

Input Range:	25,000 to 50,000 BTU/h
Lengths:	10-30 Ft.
Gas Type:	Natural or Propane
Combustion Chamber:	Black Coated Titanium Treated Steel
Radiant Tubes:	Black Coated Aluminized Steel
Certification:	ANSI Z83.20, CSA 2.34, CSA No. 7-89
Limited Warranty:	1-3-5 (Components-Tubes-Burner)

OPTIONAL EQUIPMENT

'U' or 'L' Configurations:	Available on Most Models
Stainless Steel Upgrades:	Available (SSRAO, SSRAO-5)
24V Controls:	Standard
Indicator Lights:	Standard
Protective Guards:	Available (PG)
Side Shield Extensions:	Available (SSE)
Outdoor Approval:	Available (OD-KIT)

ELECTRICAL

- 120V, 60Hz, 1 Ph., 3-wire.
- 4.8A starting, 1.1A running.

CONTROLS

- Pre-purge.
- 24V thermostat control.
- Micro-processor circuitry.

TUBE CONSTRUCTION

- Stated to the left.
- 4" to 3" 16 ga. tapered construction.
- Patent pending "Dimpled Baffle MAX".
- Labor saving, interlocking swaged tube design.

REFLECTORS

- Highly polished aluminum.
- End caps included.
- 0° – 45° rotatable angle.
- Tension springs.

IGNITION/SENSE

- Moisture and corrosion resistant ignition module.
- Hot surface ignition.
- Flame rod sense.

COMBUSTION AIR

- Equipped for ducted air intake from roof or sidewall.

VENTING

- 3" single vent.
- 3"x4"x3" common Y vent. (with single thermostat & ERK accessory).
- Required for residential applications.

GAS CONNECTION

- 1/8" F NPT ball valve & inlet tap included.
- 5/8 in. flare connecting to 1/2 in. NPT adapter to 1/2 in. x 24 in. (304) SS flex connector provided.

GAS SUPPLY (Inches W.C.)

- MAN: 3.5" Nat. or 10.0" Prop.
- MIN: 5.0" Nat. or 11.0" Prop.
- MAX: 14.0" Nat. or 14.0" Prop.

KIT CONTENTS

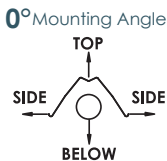
- All hangers & couplers.
- Reflector end caps.

AVAILABLE LS3 MODELS & CLEARANCES

MODEL #	GAS ¹	BTU/h Max. Input	STRAIGHT LENGTH	'U' TUBE LENGTH	SHIP WEIGHT	TYP. OR RCMD. MOUNTING HEIGHTS ²	CLEARANCE TO COMBUSTIBLES ⁴			
							MOUNTING ANGLE ⁵	SIDES	TOP	BELOW
LS3-10-25	Nat or Prop.	25,000	12'-1"	N/A	70 lbs.	8' to 11'	0	8	4	36
LS3-10-30	Nat or Prop.	30,000	12'-1"	N/A	70 lbs.	8' to 11'	0	8	4	36
LS3-15-25	Nat or Prop.	25,000	16'-10"	N/A	85 lbs.	8' to 13'	0	8	4	36
LS3-15-30	Nat or Prop.	30,000	16'-10"	N/A	85 lbs.	8' to 13'	0	8	4	36
LS3-15-40	Nat or Prop.	40,000	16'-10"	N/A	85 lbs.	8' to 13'	0	15	6	45
LS3-15-50	Nat or Prop.	50,000	16'-10"	N/A	85 lbs.	10' to 15'	0	11	6	48
LS3-20-40	Nat or Prop.	40,000	21'-10"	13'-0"	100 lbs.	8' to 13'	0	15	6	45
LS3-20-50	Nat or Prop.	50,000	21'-10"	13'-0"	100 lbs.	9' to 15'	0	11	6	48
LS3-30-50 ³	Nat or Prop.	50,000	31'-7"	17'-8"	120 lbs.	9' to 14'	0	11	6	48

¹ Models approved for Both commercial/industrial and residential use.

² Models approved for Commercial/industrial use only.



³ Specify natural (Nat.) or propane (Prop.) gas at time of order.

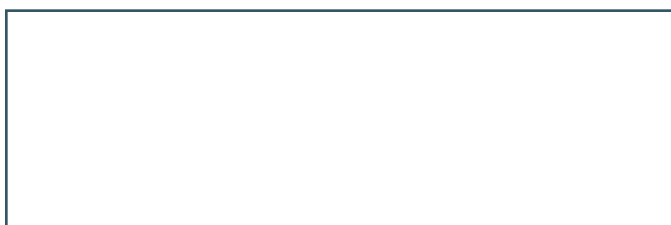
⁴ If the heater is mounted below 8 feet, protective guards (PG) are required. Typical or recommended mounting heights are provided as a guideline. Actual conditions may dictate variations from the above data.

⁵ Model requires LV3-5EA-SUB optional accessory package when installing in a 'U' configuration.

⁶ Always maintain clearance to combustibles. Use high BTU output when determining clearances. The minimum end clearance is 12 in. Place signs where necessary in accordance with ANSI/NFPA Standards. Clearances published in LS3 Series manual and on warning label supersede data shown on this brochure. Clearances posted above reflect those of a heater installed at a mounting angle of 0° from horizontal and without the use of add-on options.

⁷ Heaters mounted on an angle between 0° to 45° must maintain clearances posted for 0° or 45°; whichever is greater(not shown). See LS3 Series installation manual for additional information.

DISTRIBUTED BY:



Re-Verber-Ray® is a registered trademark of Detroit Radiant Products Company. Due to continuous product innovation, Detroit Radiant Products Co. reserves the right to change product specifications without prior notice.