

Thermostat Instruction Sheet

ETD-5M1 Two Stage Thermostat

Note: See thermostat manufacturer's instructions for specific information or requirements.

ETD-5M1 Specifications

Range: 35° to 75°F (2° to 24°C)

Default Differential: 2.0°F (-16.5°C) Fixed

Operation: Two Stage, low voltage

Thermostatic Power: 22 AMP at 24/125/277 VAC

Contact Action: Opens on rise

Dimensions: 4.75" X 2.75" x 2.75"

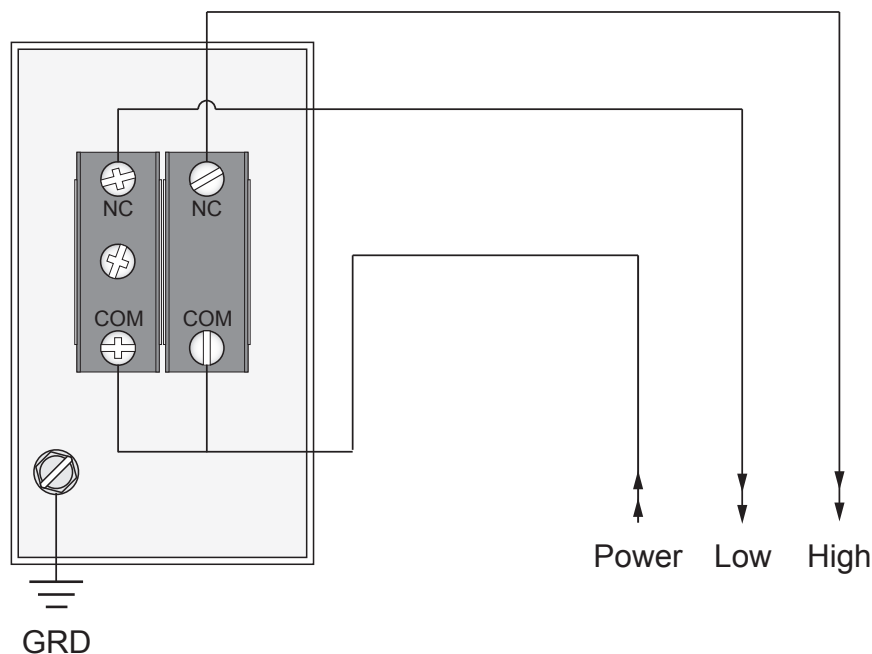
Additional Features: Snap action switch, double pole, UL listed, and CSA Certified.

Installation Instructions

- 1 Remove cover of thermostat from base.
- 2 Disconnect the power source.
- 3 Locate in an area with good air circulation (no outside walls).
- 4 Install the thermostat approximately 5 feet above floor level.
- 5 Replace the cover onto base.

Figure 2 • ETD-5M1 Thermostat Wiring

Reference the heater specific installation and operation manual for field wiring.



WARNING



To avoid electrical shock or damage to equipment, disconnect all power before installing or servicing.

Figure 1 • ETD-5M1 Thermostat

