

Thermostat Instruction Sheet

White Rodgers TH-1F78-151 Thermostat

See thermostat manufacturer's instructions for specific information or requirements.

Parts List

Single Stage, 24V Control
(P/N: TH-1F78-151)

TH-1F78-151 Specifications

Range: 45°-90°F

Differential: 0.6°F to 1.9°F

Operation: Single stage; 24V; millivolt

Electrical Rating: 17-30 VAC; 1.5 Amp max.

Contact Action: Opens on rise.

Dimensions: 3.75" H x 5.1" W x 1.1" D

Additional Features: Separate 5-day (weekday) and 2-day (weekend) programming.

Figure 1 • TH-1F78-151 Thermostat

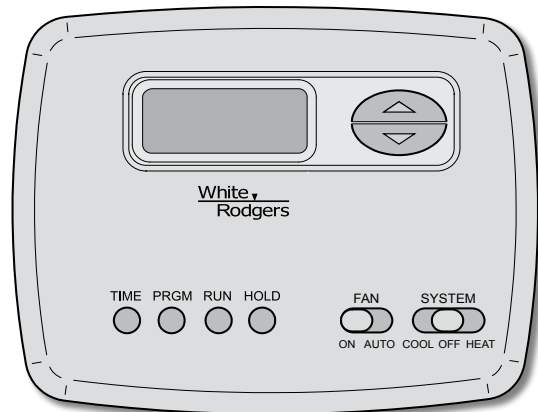


Figure 2 • Typical Field Wiring - Single heater, single thermostat. Picker relay (relay board) installed.

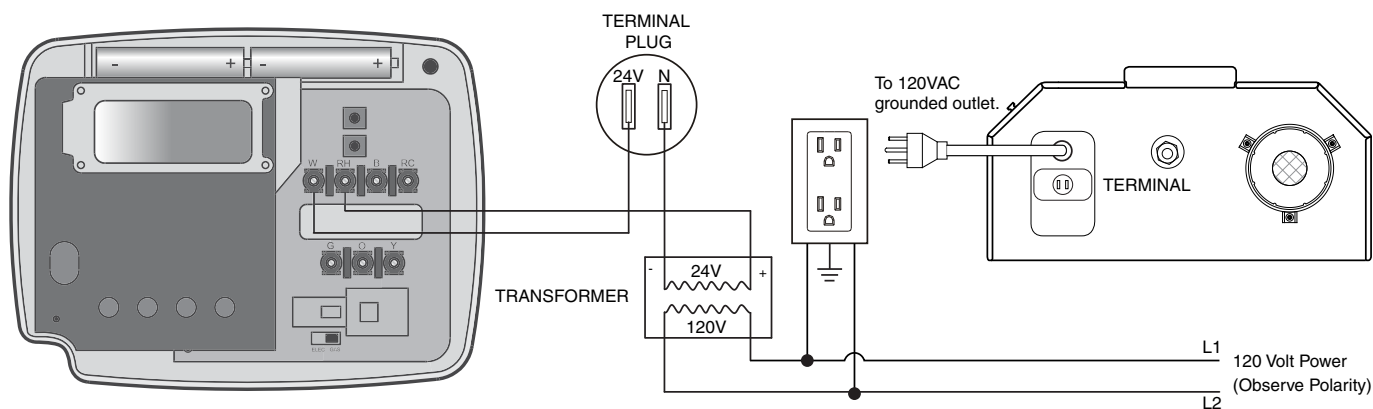


Figure 3 • Typical Field Wiring - Multiple heaters, single thermostat. Picker relay (relay board) installed.

