

Thermostat Instruction Sheet

Honeywell TH-T87 Single Stage Thermostat

See thermostat manufacturer's instructions for specific information or requirements.

Parts Lists

Honeywell Single Stage Manual Thermostat (P/N: TH-T87)

TH-T87 Specifications

Range: 40° - 90°F / 4.5° - 32°C heat/cool

Operation: Single stage, 24VAC

Electrical Rating: 20-30 VAC; 0.02-1.0A running

Contact Action: Opens on rise

Dimensions: 3.75" x 3.75" x 1.875"

Additional Features: Quick response, positive off, and mercury free.

Installation Instructions

- ① Remove cover of thermostat from base.
- ② Disconnect the power source.
- ③ Locate in an area with good air circulation (no outside walls).
- ④ Install the thermostat approximately 5 feet above floor level.
- ⑤ Feed wires through the rectangle slot (see Figure 2).
- ⑥ Connect wires to terminal screws (see Figure 2).
- ⑦ Confirm that wiring does not interfere with thermostat operation.
- ⑧ Replace the cover.

Figure 1 • TH-T87 Thermostat

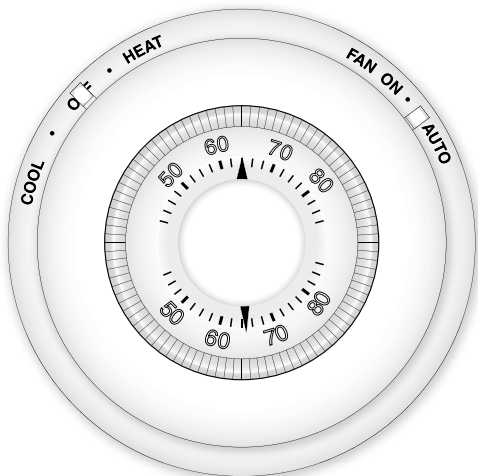
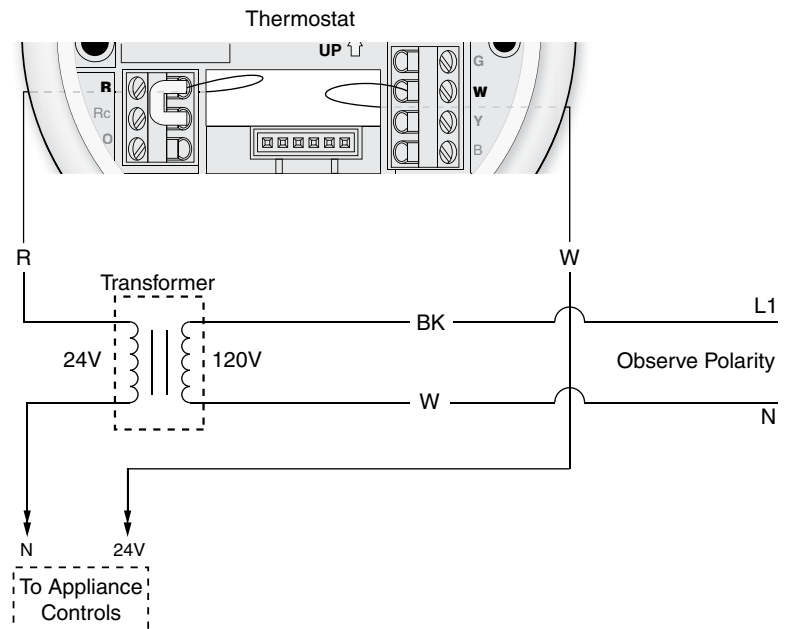


Figure 2 • TH-T87 Thermostat Wiring with 24VAO option



WARNING	
	If this product is used to replace a device containing mercury, the purchaser or consumer must ensure that the mercury is properly managed to comply with state or federal regulations. The mercury must not become part of solid waste or waste water. Additional guidance may be obtained from the manufacturer of the product being removed or by calling the Director of Environmental Services.

WARNING	
	To avoid electrical shock or damage to equipment, disconnect all power before installing or servicing.