

Thermostat Instruction Sheet

White-Rodgers TH-1F95-TS Thermostat

See thermostat manufacturer's instructions for specific information or requirements.

Parts List

White Rogers blue touchscreen digital programmable thermostat (P/N: TH-1F95-TS).

TH-1F95-TS Specifications

Range: 45 to 99°F (7 to 32°C).

Differential: Single Stage Heat 0.6°F; Cool 1.2°F;
Multi-Stage Heat 0.6°F; Cool 1.2°F.

Operating Ambient: 32°F to +105°F (0 to +41°C)

Operating Humidity: 90% non-condensing max.

Electrical Rating:

Battery Power: mV to 30 VAC, NEC Class II, 50/60 Hz or DC.

Input-Hardwire: 20 to 30 VAC

Terminal Load: 1.5A per terminal, 2.5A maximum.

Dimensions: 4.6"H x 5.9"W x 1.2"D.

Additional Features: 7-day programmable. Optional remote sense (one per thermostat).

Installation Instructions

- ❶ Remove cover of thermostat from base.
- ❷ Disconnect the power source.
- ❸ Locate in an area with good air circulation (no outside walls).
- ❹ Install the thermostat approximately 5 feet above floor level.
- ❺ Connect wires using the wiring diagram below (Figure 2).
- ❻ Replace the cover.

Figure 2 • TH-1F95-TS Thermostat Wiring

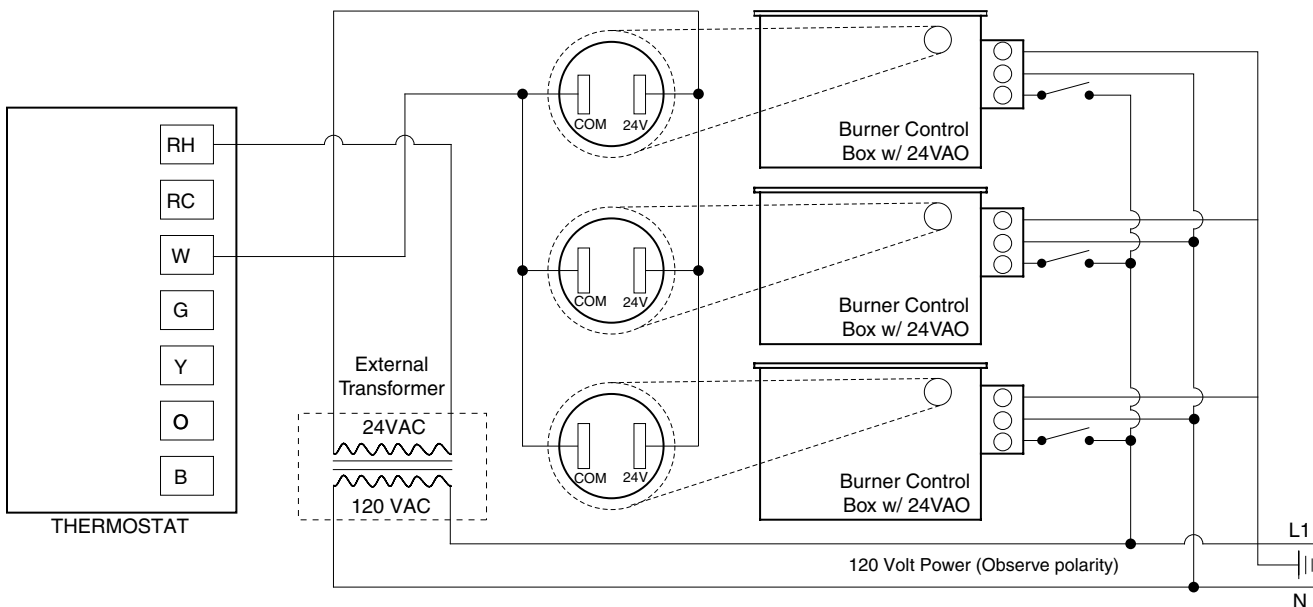
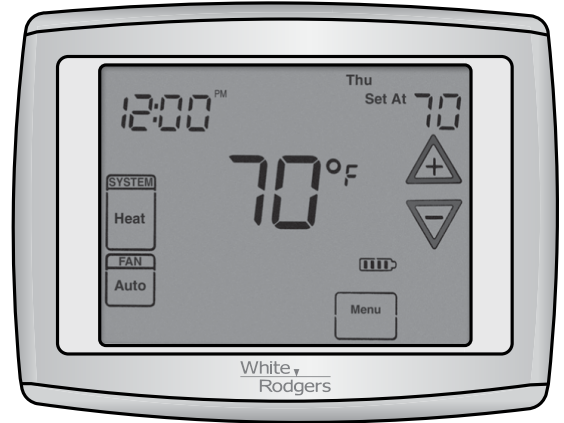


Figure 1 • TH-1F95-TS Thermostat



WARNING



To avoid electrical shock or damage to equipment, disconnect all power before installing or servicing.