

Thermostat Instruction Sheet

WEP-TS Timer Switch Control

See manufacturer's instructions for specific information or requirements.

WEP-TS Specifications

Operation: Two stage, single stage.

Purpose: Up to 4 hour operation of appliances with high/low switching in two stage and positive off when using in single stage.

Electrical Rating: 24 V or 120 V switching, 20 Amps Max at 120 V

Contact Action: Close on manual activation.

Dimensions: 5.5" W x 5.75" H x 3.25" D.

Installation Instructions

Must be mounted to an electrical junction box suitable for the application.

Figure 1 • WEP-TS Timer Switch

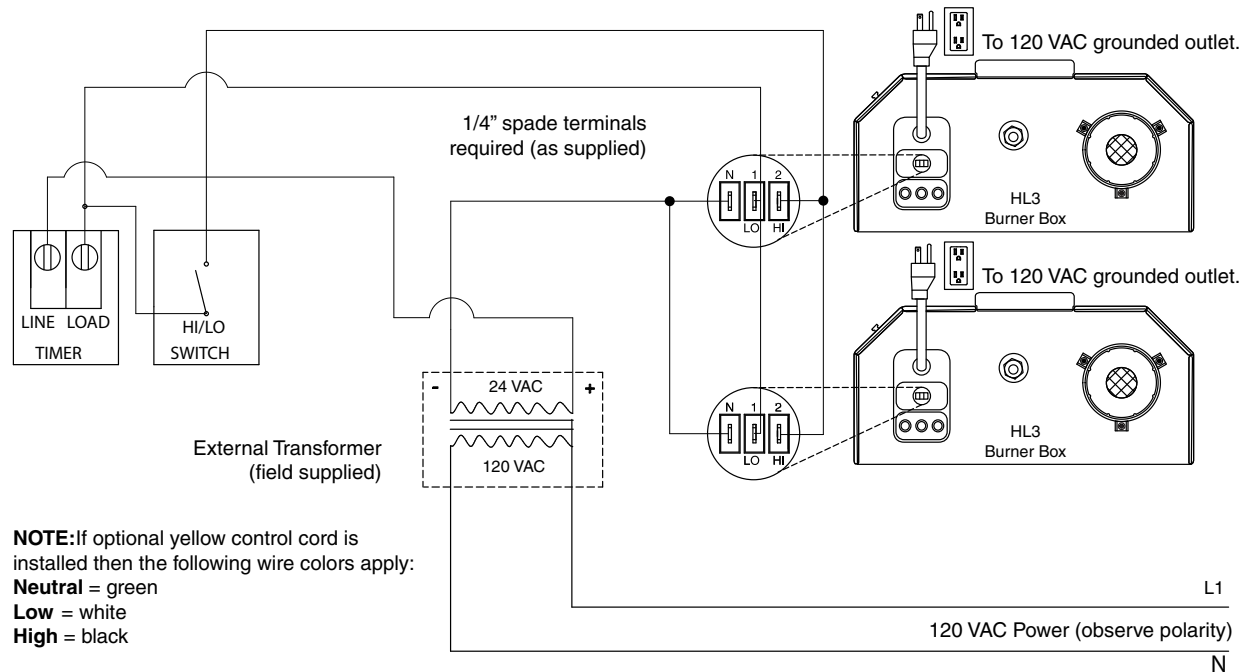


WARNING



To avoid electrical shock or damage to equipment, disconnect all power before installing or servicing.

Figure 2 • Two Stage Wiring for Multiple Tube Heaters with Relay Board Option



Thermostat Instruction Sheet

WEP-TS Timer Switch Control

See manufacturer's instructions for specific information or requirements.

Figure 3 • Two Stage Wiring for Single Tube Heater Without Relay

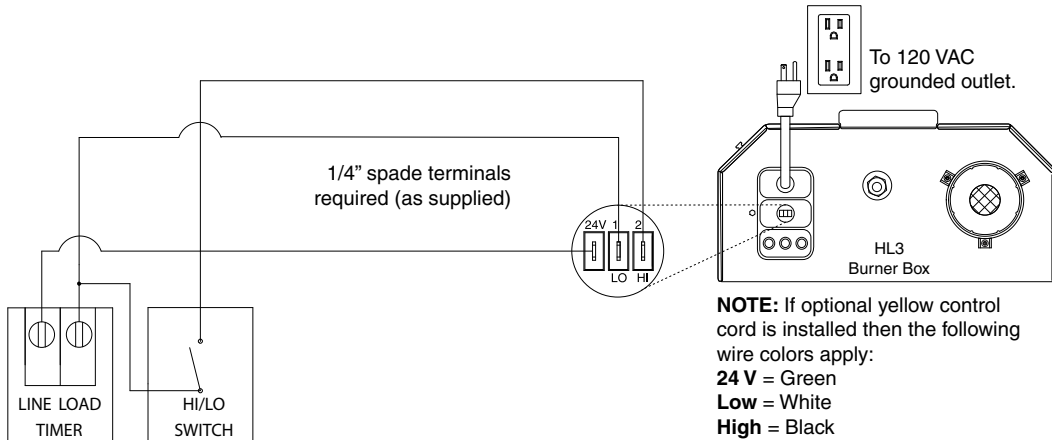


Figure 4 • Single Stage Wiring for Multiple Tube Heaters with 24VAO

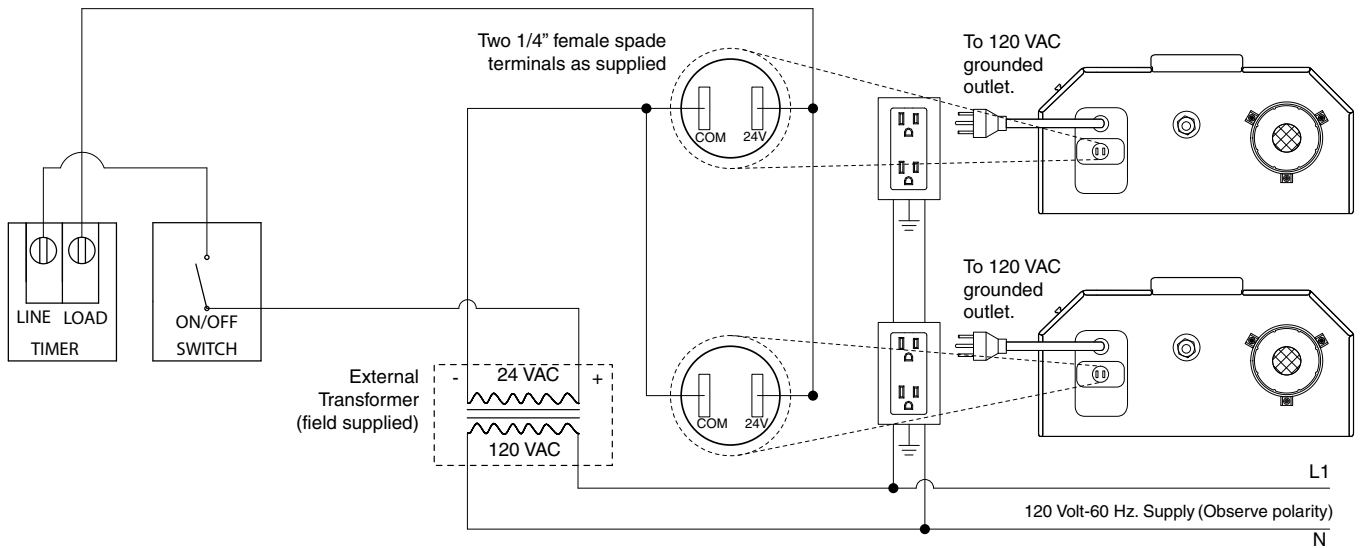
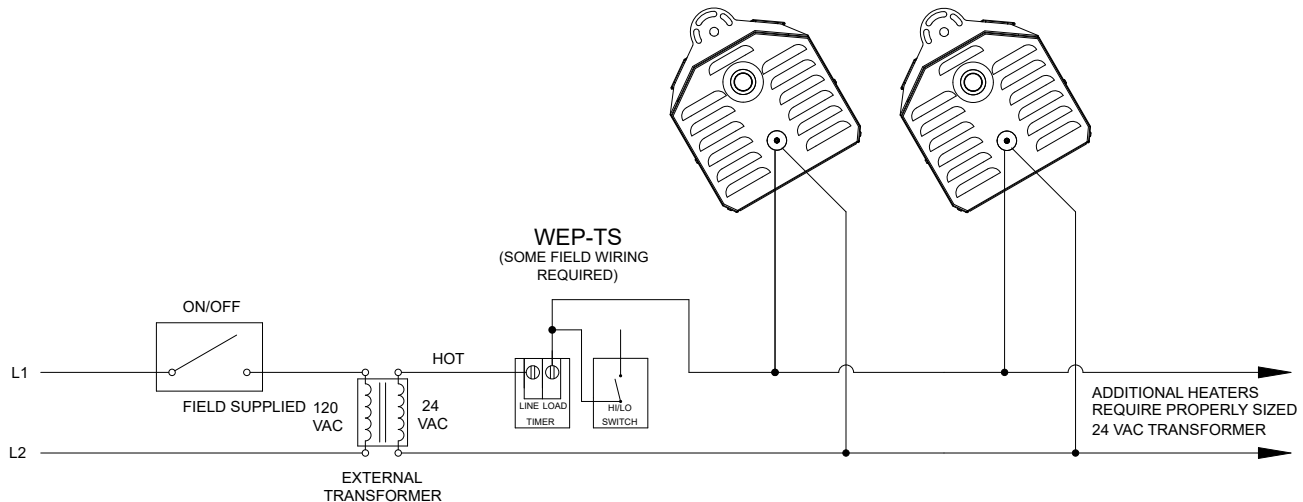


Figure 5 • Wiring for Multiple DSCS Heaters with External Transformer



NOTE: Transformers are field supplied and transformer sizing is dependent upon the quantity of heaters. 20 VA per heater.

Thermostat Instruction Sheet

WEP-TS Timer Switch Control

See manufacturer's instructions for specific information or requirements.

Figure 6 • Wiring for Multiple DSCD Heaters with External Transformer

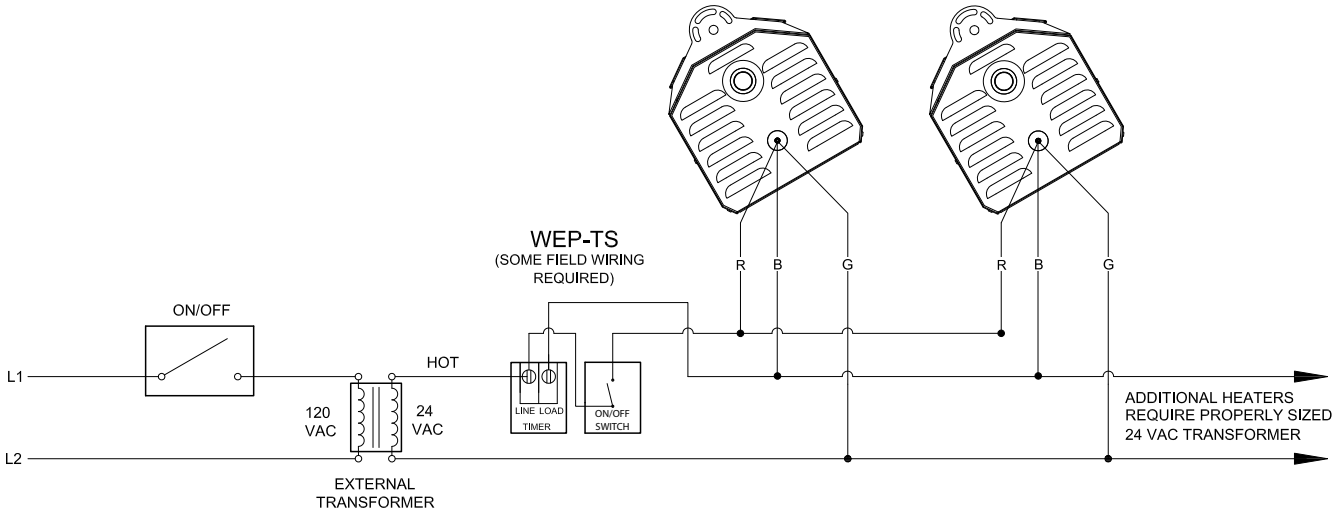
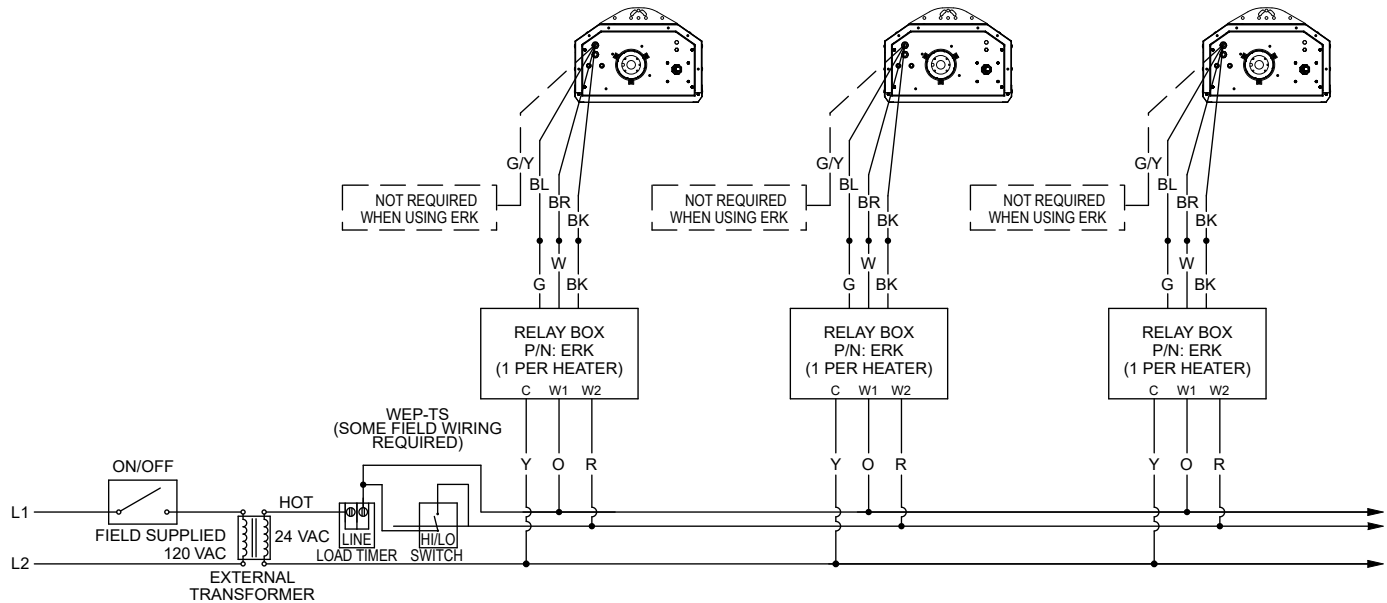


Figure 7 • Wiring for Multiple DST Heaters with External Transformer



Thermostat Instruction Sheet

WEP-TS Timer Switch Control

See manufacturer's instructions for specific information or requirements.

Figure 8 • Wiring for Multiple DSRS/DSRL/DSRF Heaters with External Transformer

