

Tube Heater Parts Instruction Sheet

TP-CPA (3) Installation Instructions

Contents

- A** 1) TP-55A Fan Blower.
- B** 1) TP-264B Normally Open Pressure Switch (NS2-1068-00).
- C** 1) TP-60D Normally Closed Pressure Switch (NS2-1239-00).
- D** 1) 20 in. Vinyl Sensing Tube (cut to length).
- E** 1) Aluminum Pick-up Tube.
- F** 2) Insect Resistant Brass Barbs.

Replaces

Converts heater to a DTH(S)-3 Series
TP-60A (FS4295-317)
TP-61B (FS6581-1047)

Installation Instructions

- 1 Disconnect electrical supply voltage to the heater and remove the burner control box lid.
- 2 Disconnect the wires to the fan, door switch (if applicable), and pressure switches. Disconnect the white neutral wire going to the red neutral on the gas valve.
- 3 Remove the door switch (if applicable).
- 4 Remove the six (6) screws holding the center panel to the control box shell and set aside. Remove the center panel with the fan and pressure switches still attached.
- 5 Install the new TP-CPA-3 center panel using the existing screws.
- 6 Wire the heater according to Figure 1.
- 7 On the front panel of the burner control box (tube side), locate two bolts. One bolt plugs a hole in the fan compartment and the other plugs a hole in the valve compartment. Remove these bolts and discard (1986 heaters and prior).
- 8 Install the brass barb fitting from outside the burner control box. Align the vinyl tubing from the atmospheric side of the pressure switch and connect (Figure 2).
- 9 Replace the burner control box lid and reconnect electrical supply voltage to the heater. Cycle the heater to verify proper operation.

Figure 2 • Tubing Connections

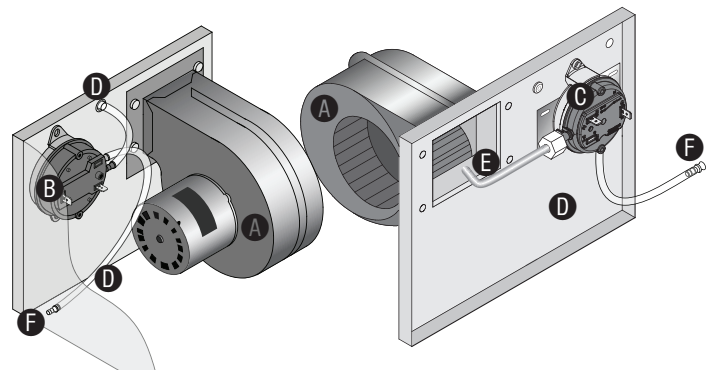


Figure 1 • DTH(S)-3 Wiring Diagram

