

Low Intensity Parts Instruction Sheet

TP-264F Burner Pressure Switch Replacement

NOTE: Instructions for heaters with **DUAL PRESSURE SWITCHES**. Replaced/converted parts are not returnable for a refund.

Models Affected (Dual Switch, 2 Brass Barbs Required)

LD, LS

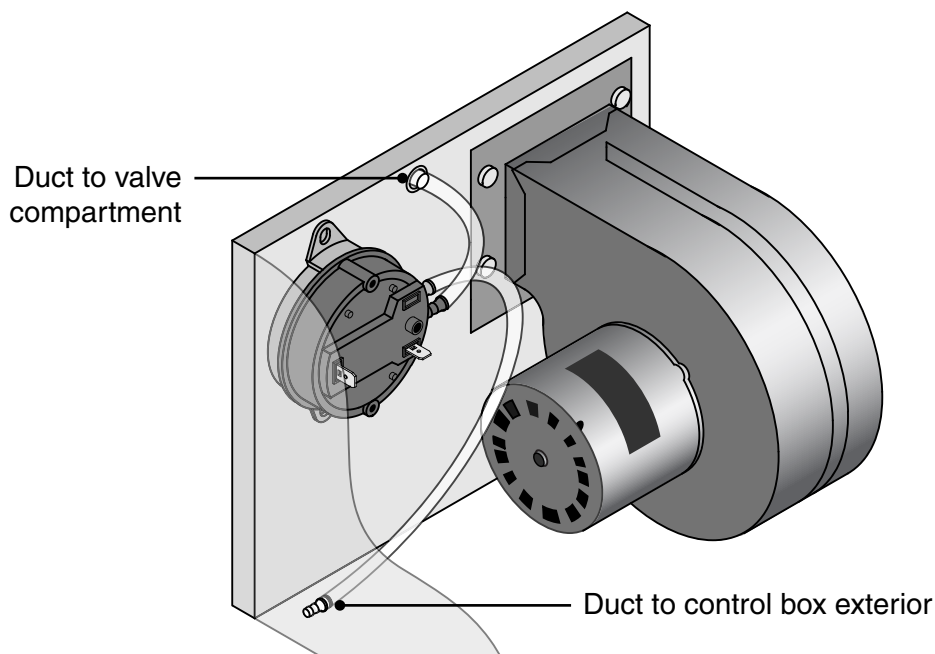
Kit Contents

- TP-264F Normally Open Pressure Switch (IS2F5132) (Replaces TP-1061A [PPS-3051])
- 20 in. Vinyl Sensing Tube
- Insect Resistant Brass Barbs (Qty. 2)

Installation Instructions

- 1 Disconnect electrical supply voltage to the heater.
- 2 Remove faulty switch from the fan compartment.
- 3 Connect the negative (-) marker barb to the vinyl tube connected to the atmospheric brass barb (ducted outside the burner box).
- 4 Connect the positive (+) marked barb to the vinyl tube (Figure 1).
- 5 Reassemble the switches on the center divide panel using one mounting hole on the new IS2 pressure switch.
- 6 Ensure that the vinyl tube(s) have a smooth radius bend and that there are no obstructions, bends, or kinks.
- 7 Reconnect the spade terminals to COM and N.O.
- 8 Replace control box cover.
- 9 Reconnect the electrical power supply voltage.

Figure 1 • Burner switch replacement for heaters with dual switches.



NOTICE



This figure illustrates a dual pressure switch configuration when the TP-264F serves as the normally open burner switch wired upstream of the normally closed exhaust switch.

Low Intensity Parts Instruction Sheet

TP-264F Differential Switch Replacement

NOTE: Instructions for heaters with a **SINGLE PRESSURE SWITCH**. Replaced/converted parts are not returnable for credit.

Models Affected (Differential Switch Located in the Valve Compartment) Mfg 06/03 - 05/05* (No Brass Barbs Required)

HL2, DX2, XTS, DET, DES, TH, RVA2, AG2, AG1, SV, and HLV

*The differential switch for models manufactured 05/05 to present is located in the fan compartment with the exception of (-3) models.

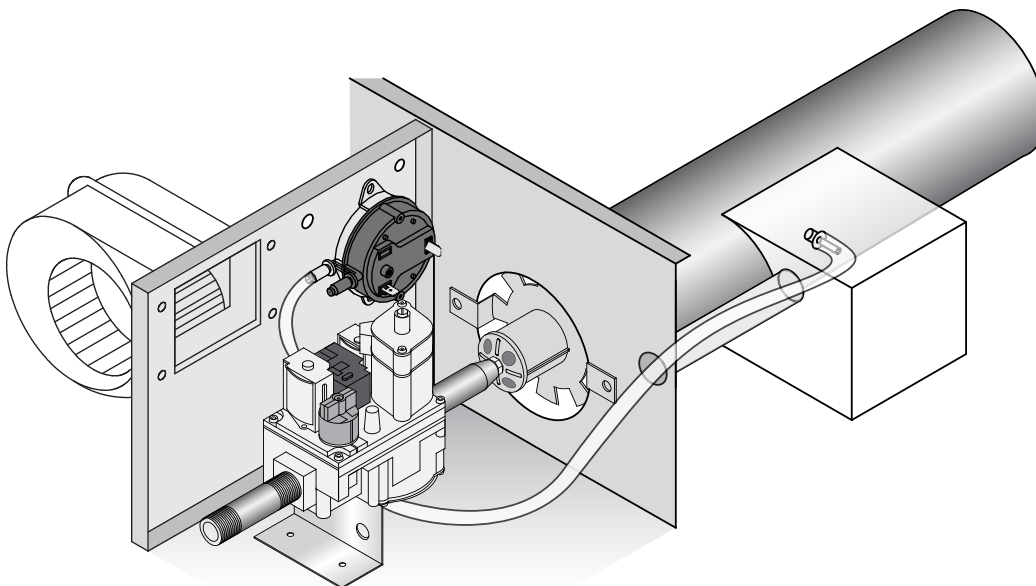
Kit Contents

- TP-264F Normally Open Pressure Switch (IS2F5132) (Replaces TP-1061A [PPS-3051])
- 20 in. Vinyl Sensing Tube
- Insect Resistant Brass Barbs (Qty. 2)

Installation Instructions

- 1 Disconnect electrical supply voltage to the heater.
- 2 Remove faulty switch from the valve side compartment.
- 3 Connect the 20 in. vinyl sensing tube to the new IS2 pressure switch barb fitting marked (-).
- 4 Reassemble the switch on the center divide panel using one mounting hole on the new IS2 pressure switch.
- 5 Ensure that the vinyl tube has a smooth radius bend and that there are no obstructions, bends, or kinks.
NOTE: Place vinyl hose below gas valve and away from burner inlet.
- 6 Reconnect the spade terminals to COM and N.O.
- 7 Replace the control box cover.
- 8 Reconnect the electrical power supply voltage.

Figure 2 • Differential switch replacement for heaters with a single switch. Will be located in valve or fan compartment. When located in the fan compartment, a hose is required from the barb fitting marked (+) through the center panel into the valve compartment.



NOTICE



This figure illustrates models with a single “differential” pressure switch configuration manufactured 6/03 to 5/05 where the switch is located in the valve compartment.