

Low Intensity Accessory Instruction Sheet

External Relay Kit (P/N: ERK & ERK-HE)

NOTE: For use with LS3, LD3, DX3L, HL2, HL3, CX3 and CL3 models only.

The External Relay Kit can be used on multiple heaters that are to be controlled by a single thermostat.

Kit Contents

- (1) External Relay Kit Box
- (3) Fork Terminals
- (3) Spade Terminals
- (6) Wire Nuts
- (1) #8 x 1/2" Black Sheet Metal Screw

*One kit per heater is required.

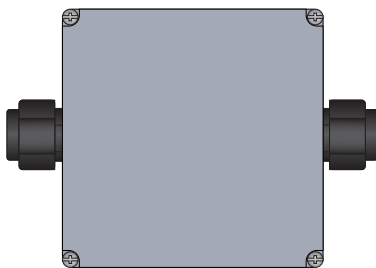
Tools Required:

- Drill with 1/4 Inch Driver
- Crimper
- Wire Stripper

ERK External Relay Kit*: Standard Series 3 heaters and can be mounted on the heater.



ERK-HE External Relay Kit*: For wet or harsh environment applications and can be mounted near the heater.



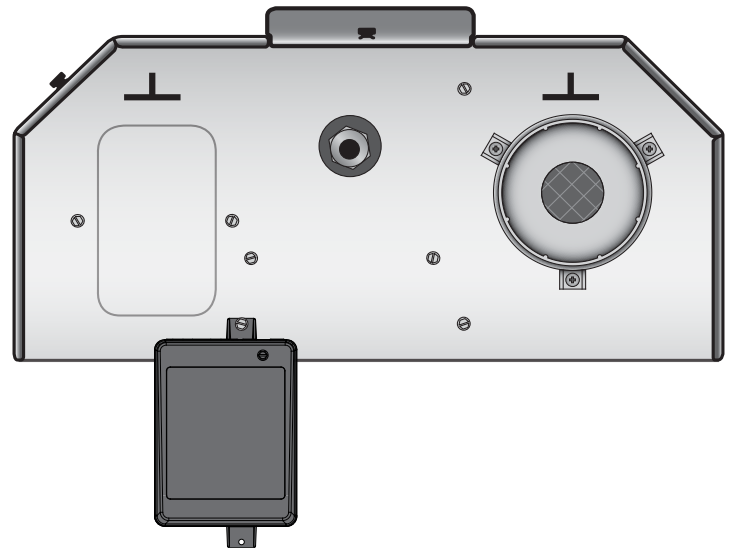
WARNING



The following installation **MUST** be performed by a qualified service person. Improper installation, adjustment, service or maintenance can cause property damage, injury or death.

Figure 1 • External Relay Kit Mounting

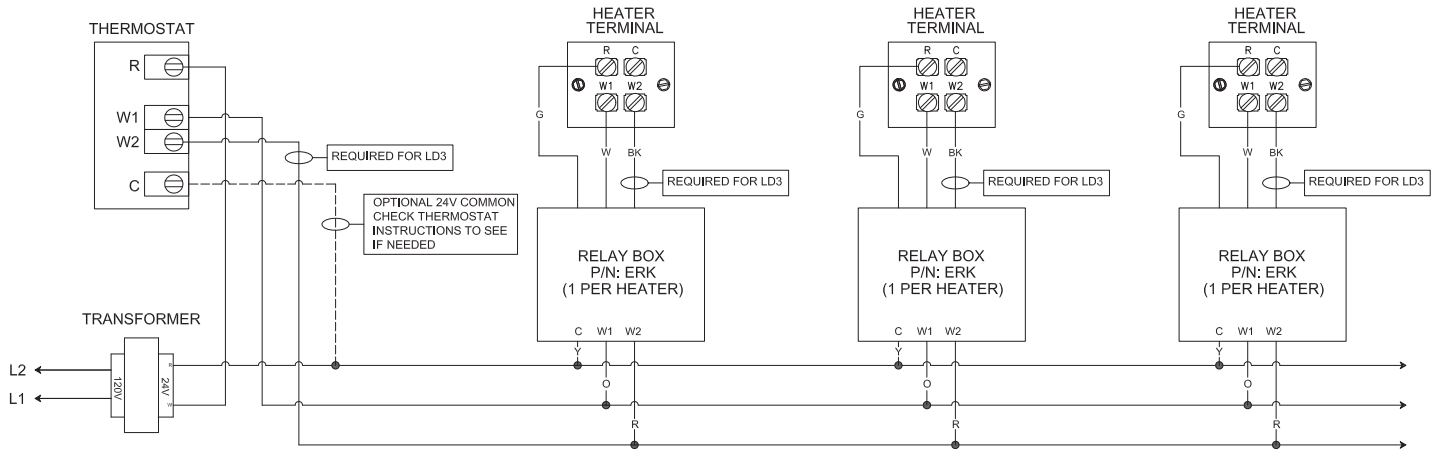
Note: When using the ERK-HE on stainless steel heaters or Series 2 heaters, the device must be mounted near the heater.



Low Intensity Accessory Instruction Sheet

External Relay Kit (P/N: ERK & ERK-HE)

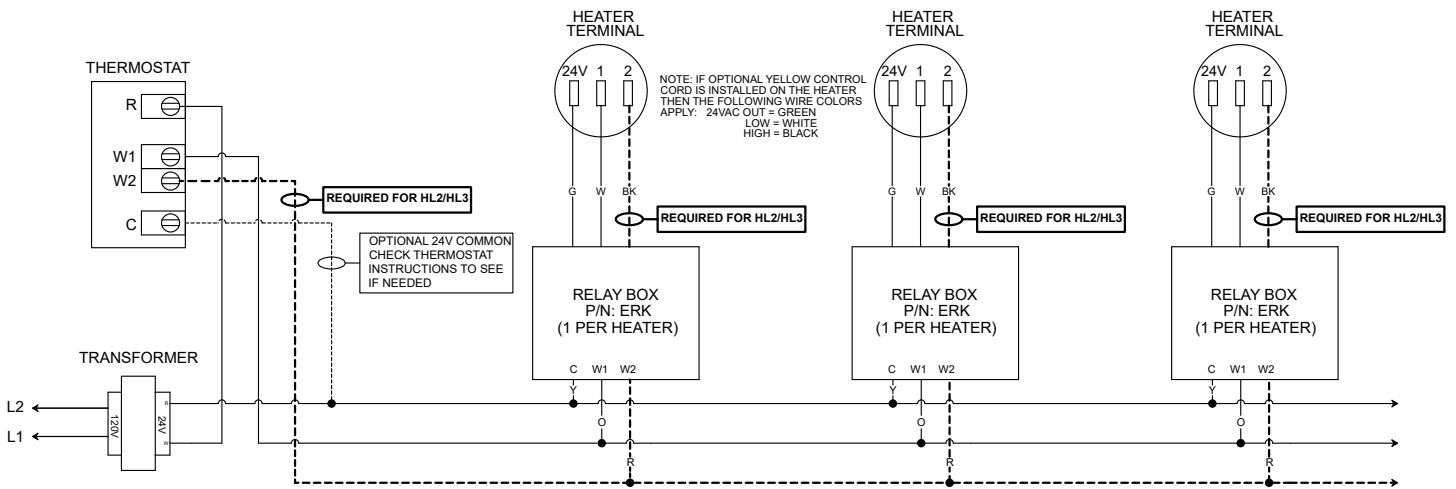
Figure 2 • LS3 and LD3 Field Wiring Diagram



Note: W2 is not used on single stage scenarios.

Note: Use the included fork terminals to make electrical connections at the heater.

Figure 3 • DX3L, HL2, & HL3 Field Wiring Diagram



NOTE: Use the included spade terminals to make electrical connections at the heater.