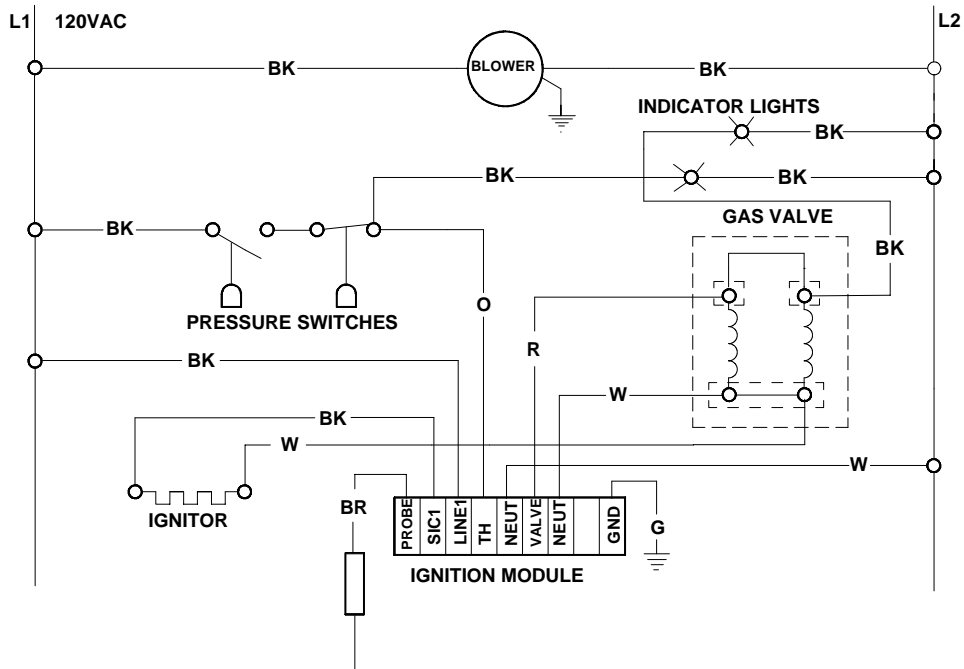


Internal Wiring Diagrams

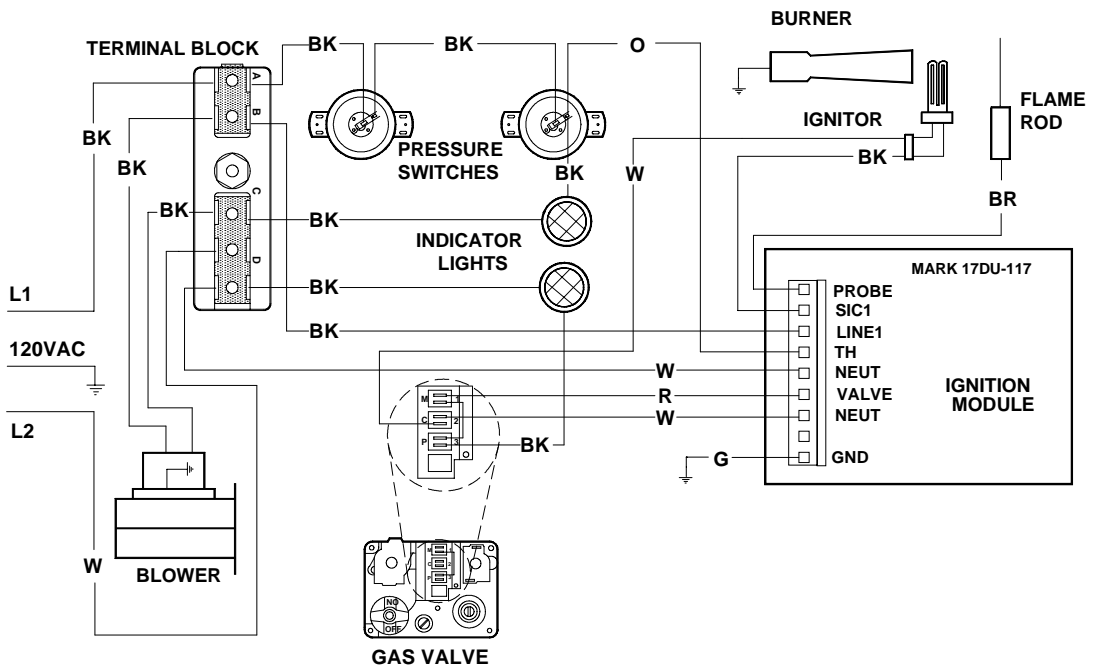
Standard Diagrams

LADDER DIAGRAM - MARK17DU-117 WITH LIGHTS



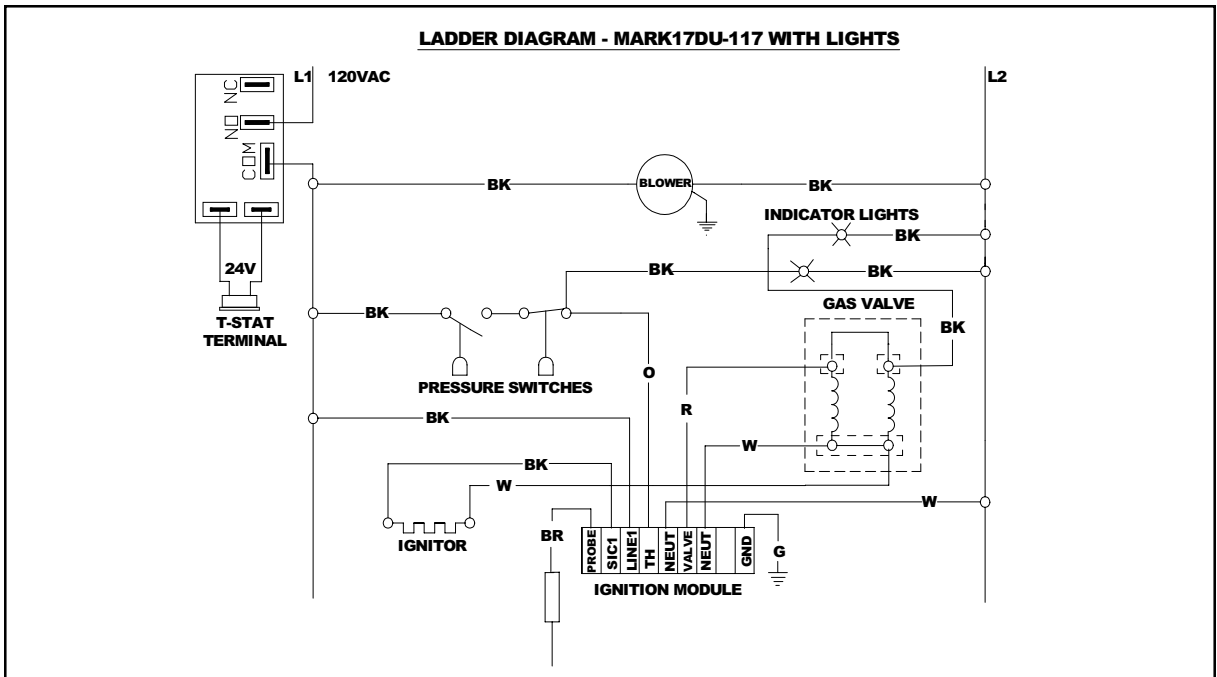
IF ANY OF THE ORIGINAL WIRE AS SUPPLIED WITH THE APPLIANCE MUST BE REPLACED, IT MUST BE REPLACED WITH WIRING MATERIAL HAVING A TEMPERATURE RATING OF AT LEAST 105 C.

BLOCK DIAGRAM - MARK17DU-117 WITH LIGHTS

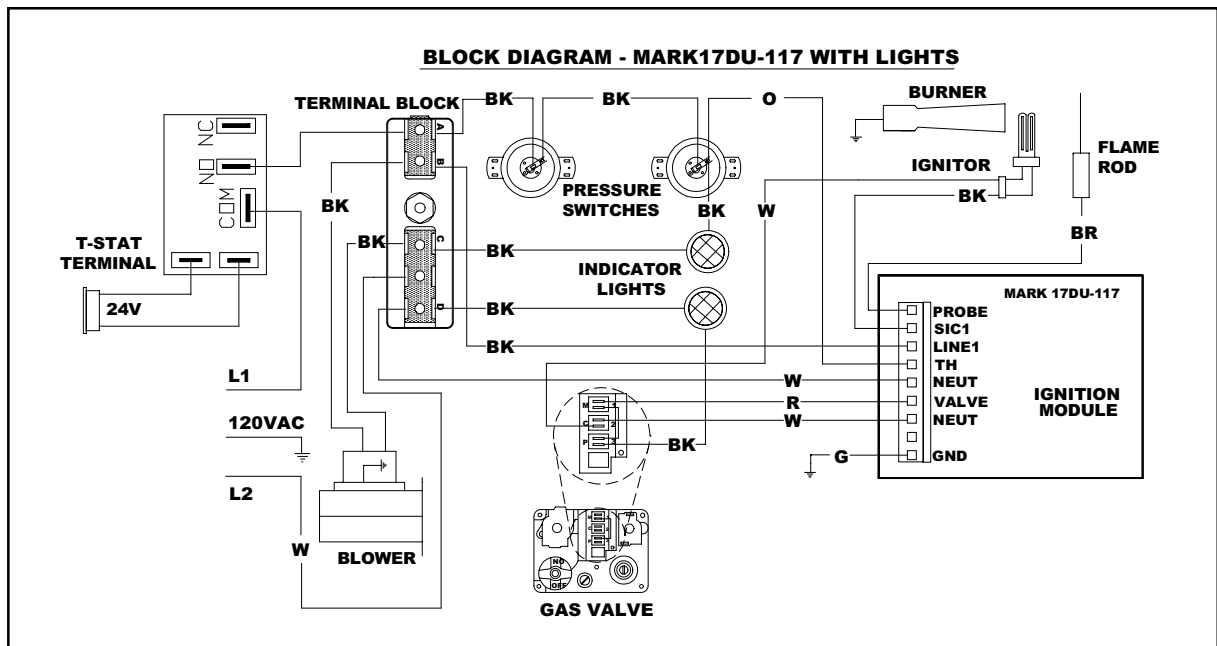


Alternative Wiring Diagrams

For 24VAO (Internal Relay Option)



DX-2 Series Ladder Diagram (with optional 24VAO relay installed)



DX-2 Series Block Diagram (with optional 24VAO relay installed)