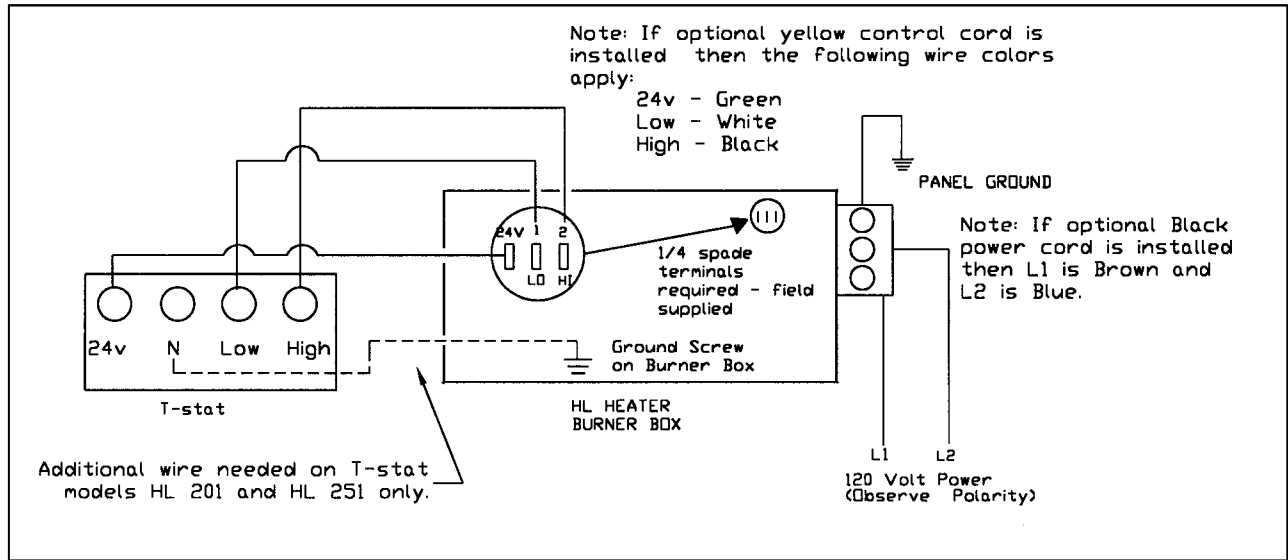
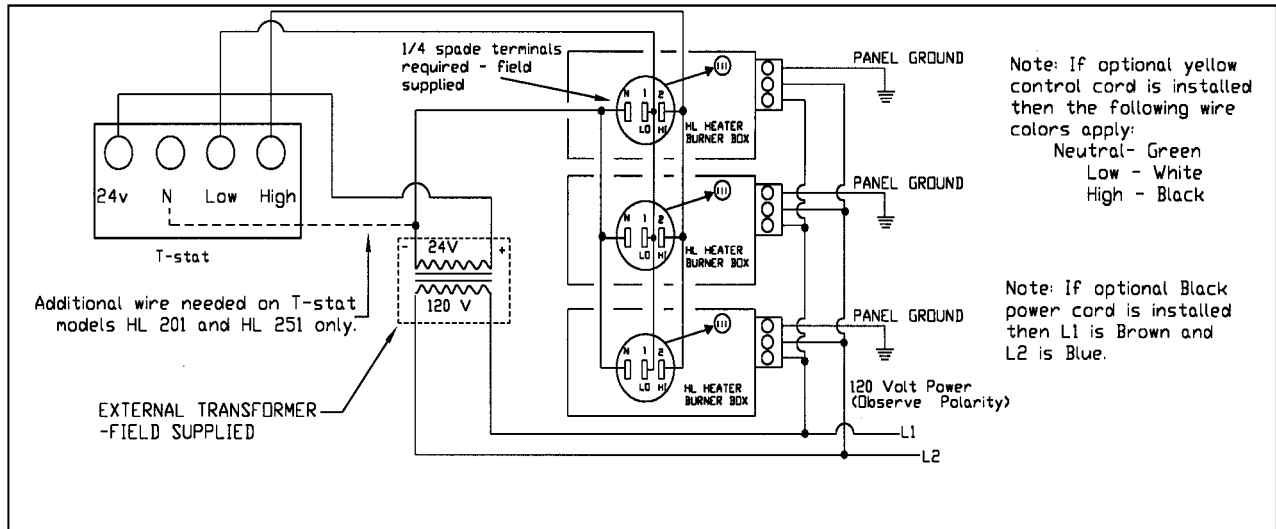


Typical Field Wiring Diagrams With Thermostat Control

HL-2 Series, without HLRB (white sticker) relay board. 24V supplied from an internal transformer. For controlling single heaters on a single control.



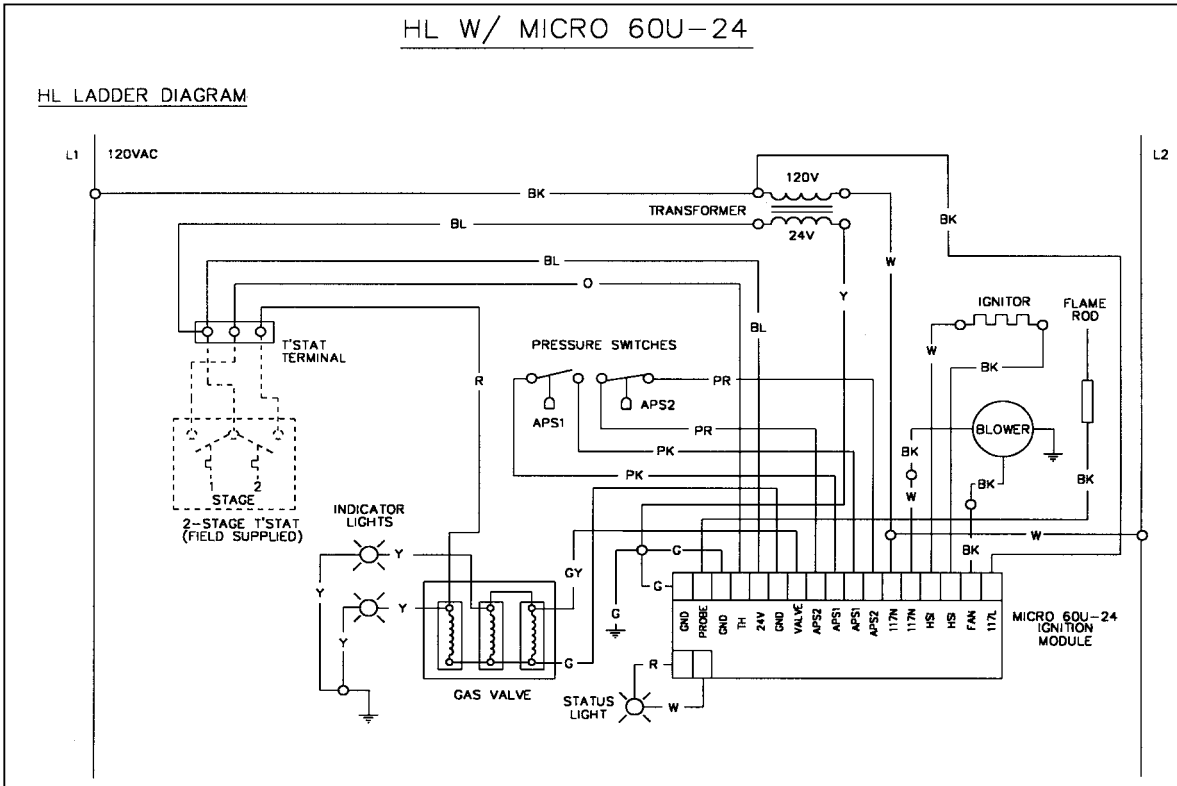
HL-2 Series, with HLRB (orange sticker) relay board. 24V supplied from external field supplied 40 VA transformer. For controlling multiple heaters on a single control. Required in common vent applications.



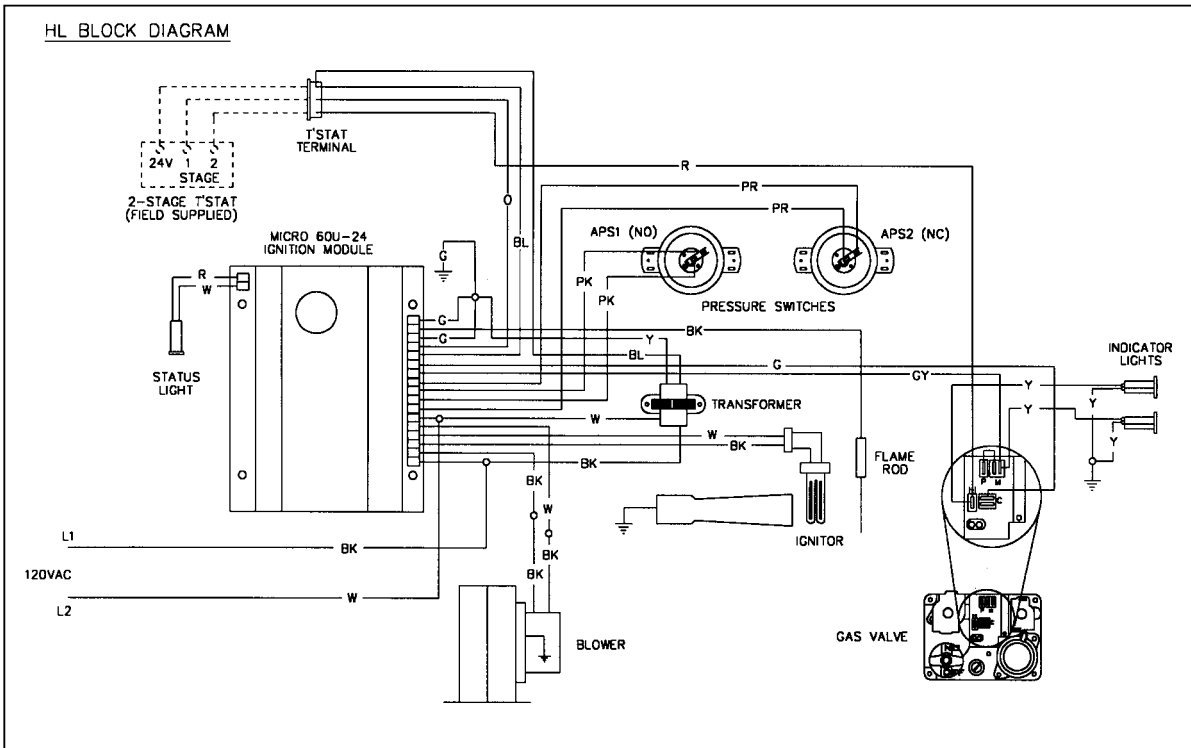
WIRING DIAGRAMS FOR HEATERS WITH MICRO 60 ADD-ON CIRCUIT BOARD NO HLRB RELAY - WHITE STICKER

HL W/ MICRO 60U-24

HL LADDER DIAGRAM

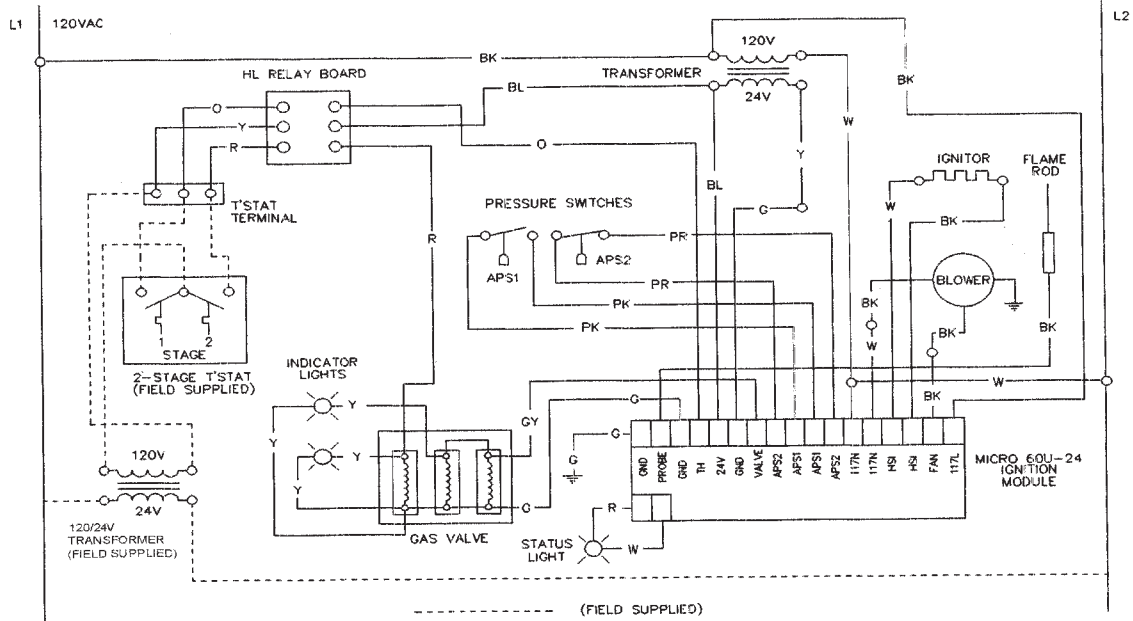


HL BLOCK DIAGRAM

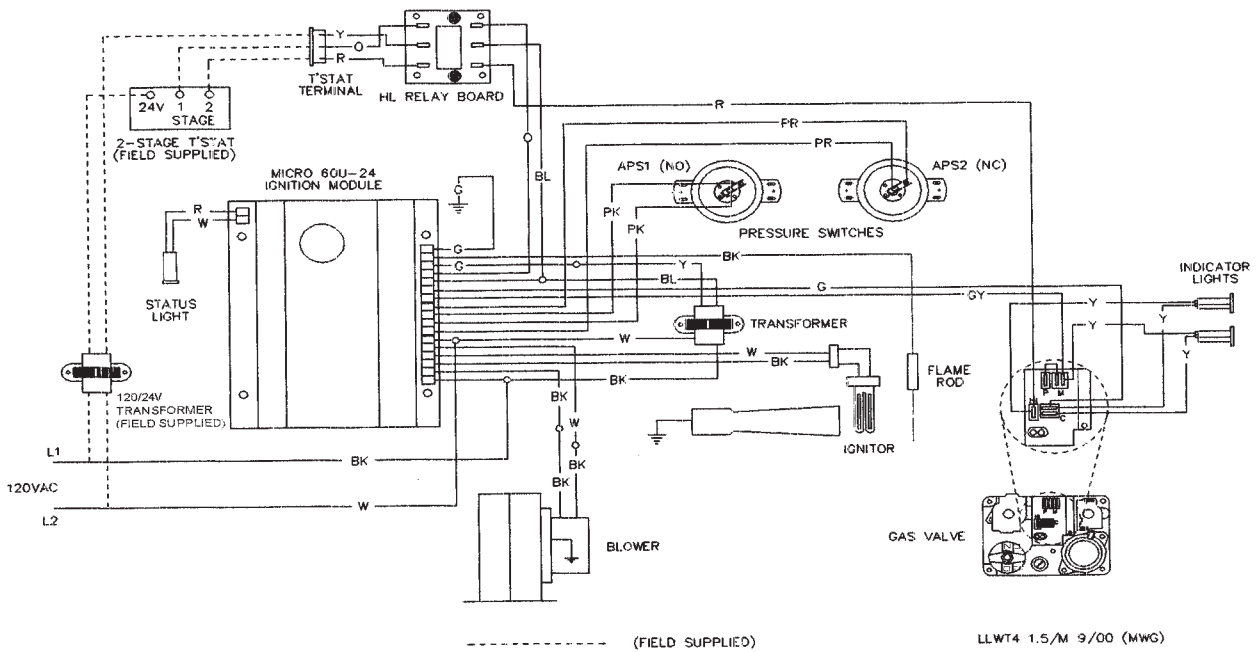


WIRING DIAGRAMS FOR HEATERS WITH HLRB RELAY AND MICRO 60 INSTALLED ORANGE STICKER, FIELD SUPPLIED TRANSFORMER

MICRO 60U-24 LADDER DIAGRAM - WITH RELAY BOARD



MICRO 60U-24 BLOCK DIAGRAM - WITH RELAY BOARD



LLWT4 1.5/M 9/00 (MWG)