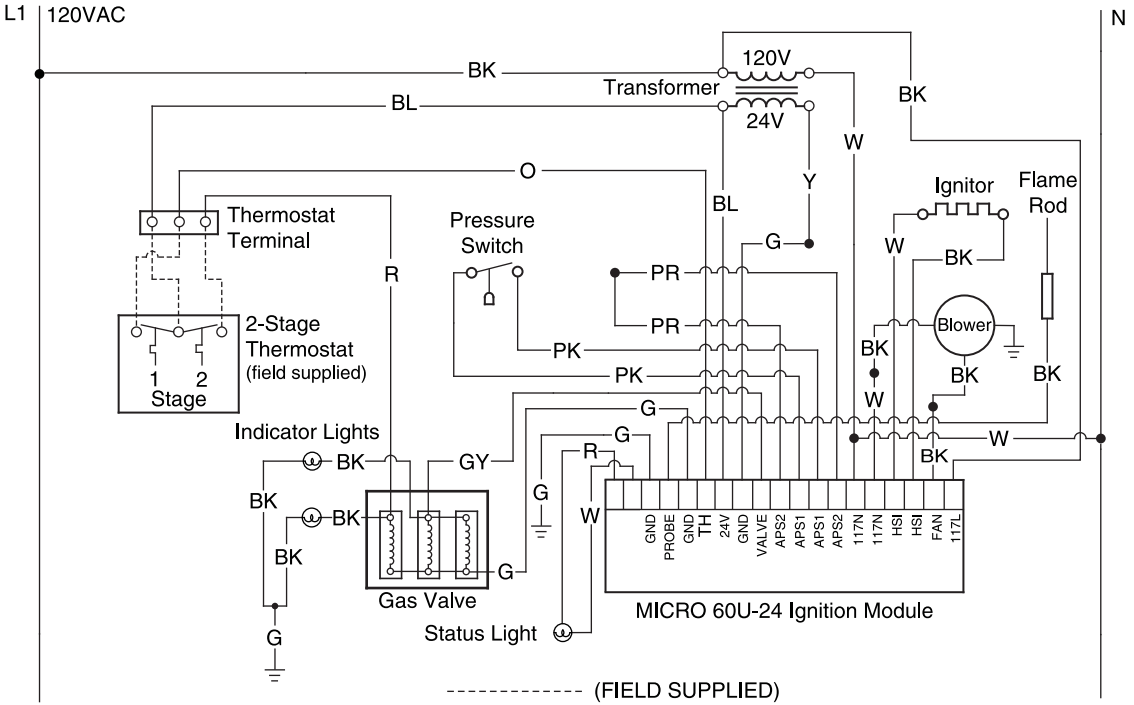
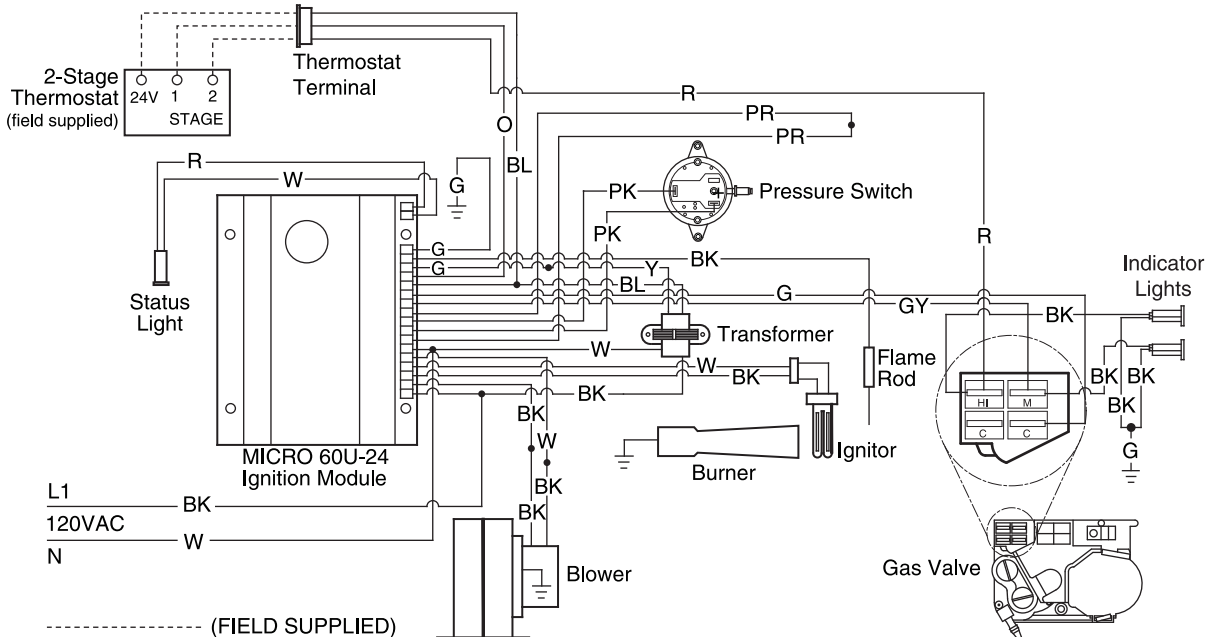


MICRO 60U-24

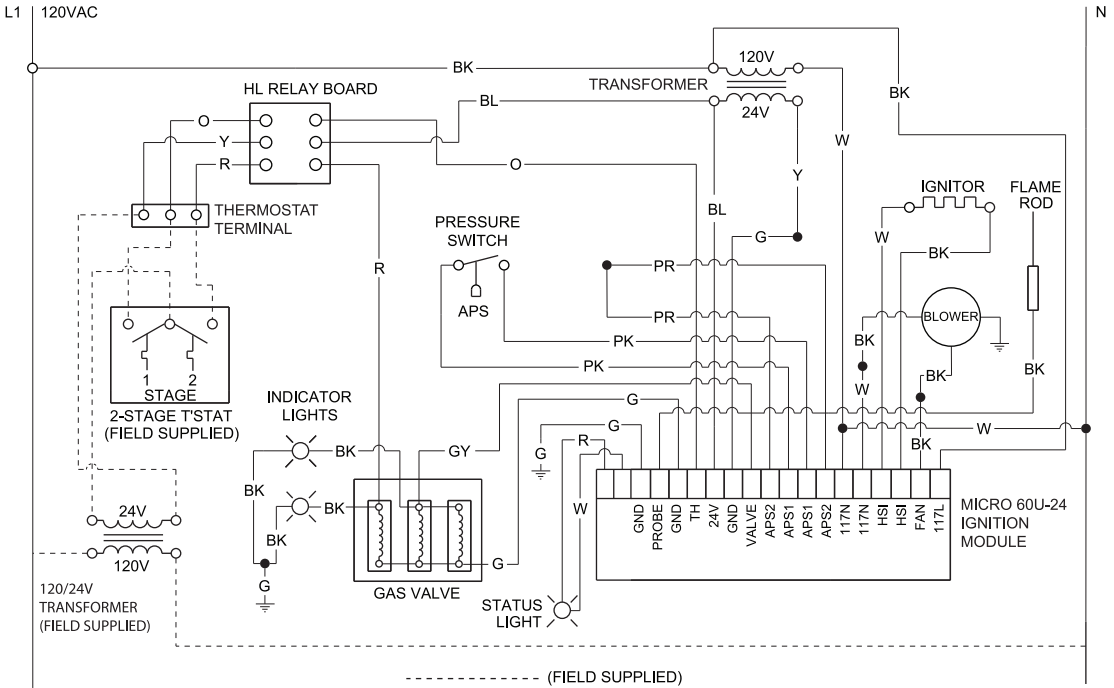
MICRO 60U-24 LADDER DIAGRAM



MICRO 60U-24 BLOCK DIAGRAM



TP-851 LADDER DIAGRAM - WITH HLRB RELAY BOARD



IF ANY OF THE ORIGINAL WIRE AS SUPPLIED WITH THE APPLIANCE MUST BE REPLACED, IT MUST BE REPLACED WITH WIRING MATERIAL HAVING A TEMPERATURE RATING OF AT LEAST 105 C.

TP-851 BLOCK DIAGRAM - WITH HLRB RELAY BOARD

