

# WIRING DIAGRAM

DIAGRAM:

## LLWT104 DX3/XTS3 SERIES

WIRING INFORMATION:

LINE VOLTAGE:

FACTORY STANDARD \_\_\_\_\_  
FACTORY OPTION \_\_\_\_\_  
FIELD INSTALLED \_\_\_\_\_

LOW VOLTAGE:

FACTORY STANDARD \_\_\_\_\_  
FACTORY OPTION \_\_\_\_\_  
FIELD INSTALLED \_\_\_\_\_

NOTES:

IF ANY OF THE ORIGINAL WIRE AS SUPPLIED WITH THE APPLIANCE MUST BE REPLACED, IT MUST BE REPLACED WITH WIRING MATERIAL HAVING THE RATING OF AT LEAST 600V 105°C

VOLTAGE:

120VAC

FREQUENCY:

60Hz

PHASE:

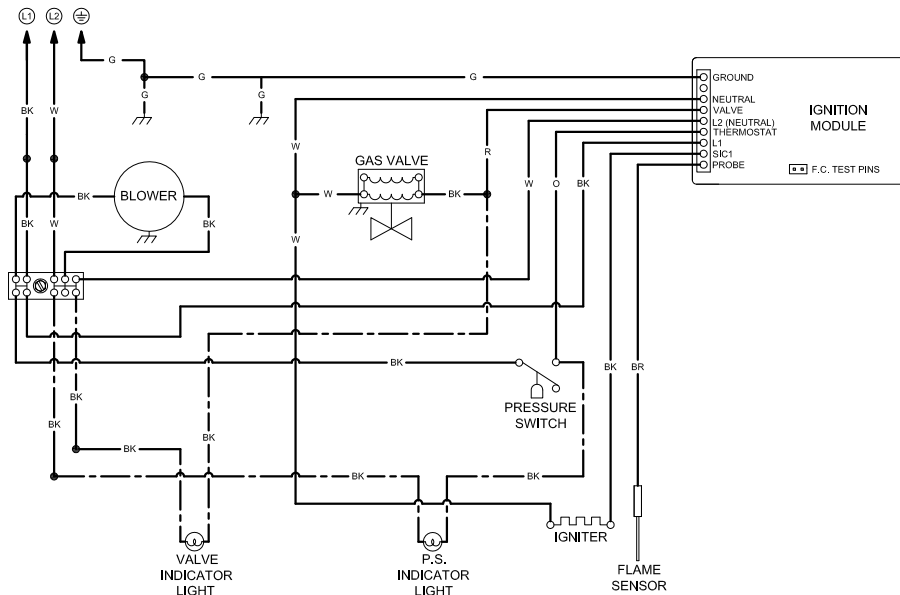
SINGLE

REVISION:

2

LITERATURE NUMBER:

LLWT 104-1M-11/12 (CDS)



### COMPONENT CODES

⊕	EARTH GROUND		TRANSFORMER		PRESSURE SWITCH
	CHASSIS GROUND		BLOWER MOTOR		S.P.S.T. RELAY
①	LINE VOLTAGE		HOT SURFACE IGNITER		INDICATOR LIGHT
②	NEUTRAL		SPARK IGNITER		GAS VALVE
●	WIRE NUT		FLAME SENSOR		QUICK-CONNECT TERM.

### WIRING COLORS:

BK.....	BLACK
BN.....	BROWN
R.....	RED
O.....	ORANGE
Y.....	YELLOW
G.....	GREEN
BL.....	BLUE
PR.....	PURPLE
W.....	WHITE
GY.....	GRAY
PK.....	PINK

# WIRING DIAGRAM

DIAGRAM:

**LLWT105**  
**DX3/XTS3 SERIES (24VAO)**

WIRING INFORMATION:

LINE VOLTAGE:

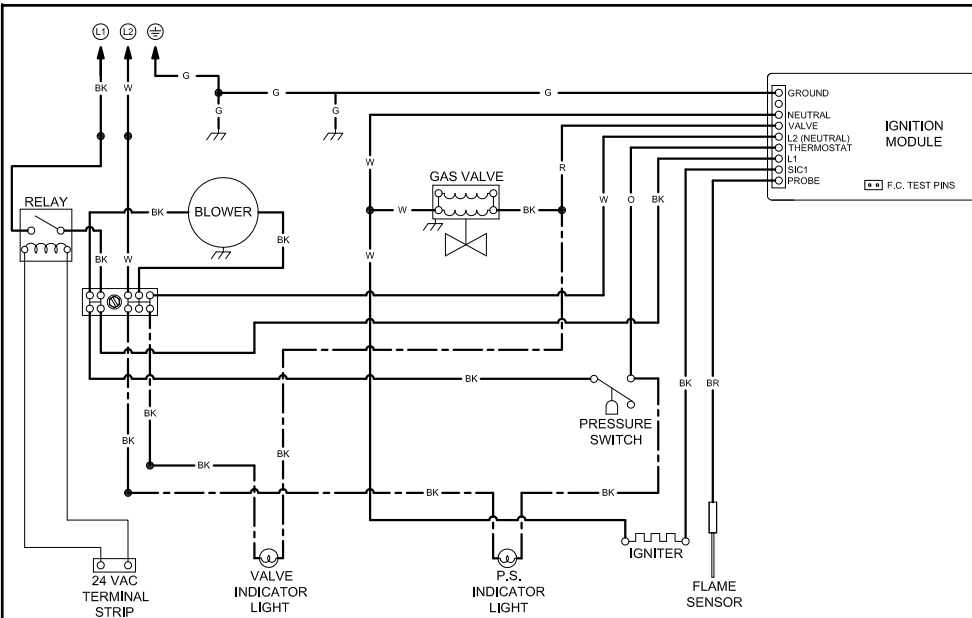
FACTORY STANDARD \_\_\_\_\_  
FACTORY OPTION \_\_\_\_\_  
FIELD INSTALLED \_\_\_\_\_

LOW VOLTAGE:

FACTORY STANDARD \_\_\_\_\_  
FACTORY OPTION \_\_\_\_\_  
FIELD INSTALLED \_\_\_\_\_

NOTES:

IF ANY OF THE ORIGINAL WIRE AS SUPPLIED WITH THE APPLIANCE MUST BE REPLACED, IT MUST BE REPLACED WITH WIRING MATERIAL HAVING THE RATING OF AT LEAST 600V 105°C



## COMPONENT CODES

⊕	EARTH GROUND		TRANSFORMER		PRESSURE SWITCH
	CHASSIS GROUND		BLOWER MOTOR		S.P.S.T. RELAY
Ⓛ	LINE VOLTAGE		HOT SURFACE IGNITER		INDICATOR LIGHT
Ⓝ	NEUTRAL		SPARK IGNITER		GAS VALVE
●	WIRE NUT		FLAME SENSOR		QUICK-CONNECT TERM.

## WIRING COLORS:

BK.....BLACK  
BN.....BROWN  
R.....RED  
O.....ORANGE  
Y.....YELLOW  
G.....GREEN  
BL.....BLUE  
PR.....PURPLE  
W.....WHITE  
GY.....GRAY  
PK.....PINK

VOLTAGE:

120VAC

FREQUENCY:

60Hz

PHASE:

SINGLE

REVISION:

2

LITERATURE NUMBER:

LLWT 105-1M-08/12 (CDS)