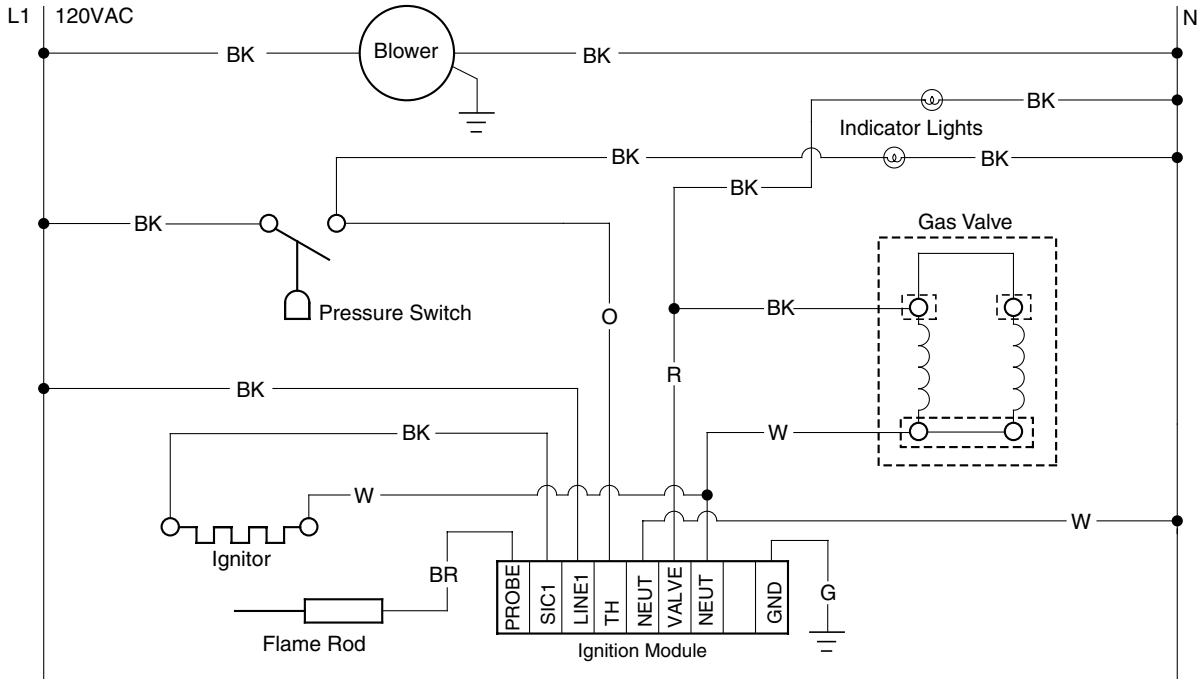


Before field wiring this appliance - Check existing wiring; replace if necessary.

Note: If any of the original wire supplied with the appliance must be replaced, it must be replaced with wiring material having a temperature rating of at least 105° C.

Figure 2.2 • Internal Wiring Diagrams

A. Ladder Diagram - TP-351A



B. Block Diagram - TP-351A

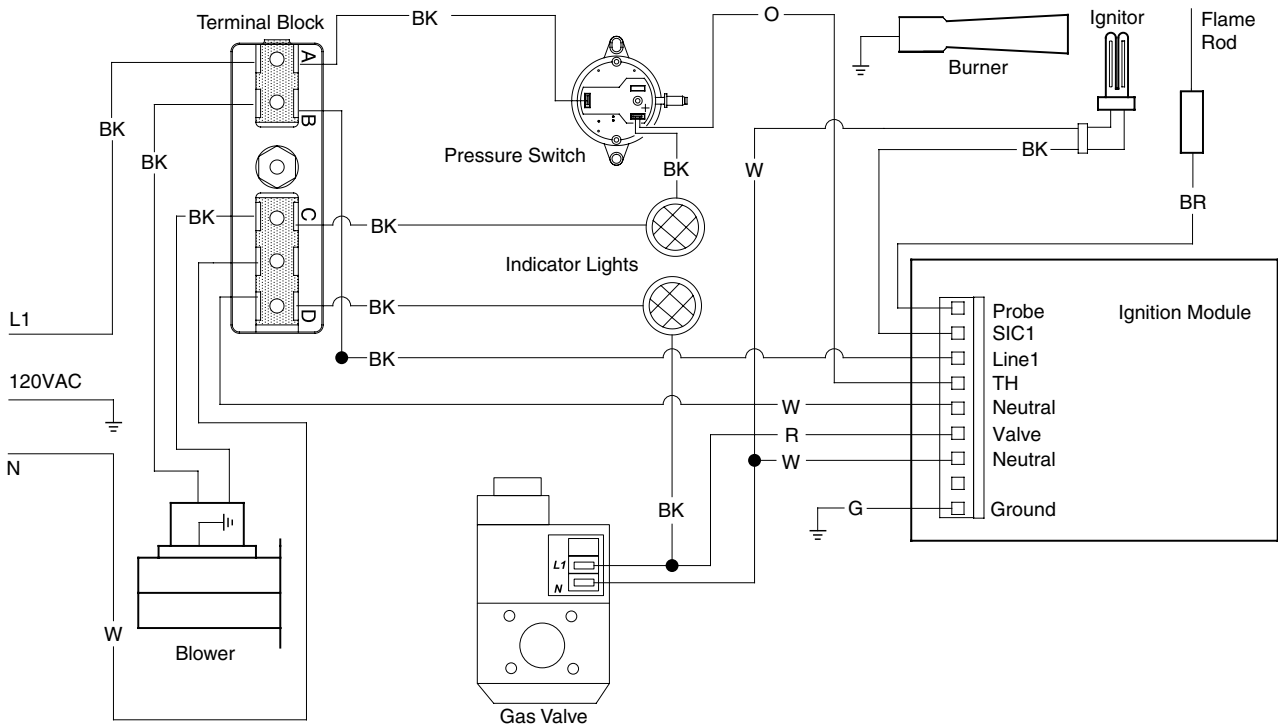
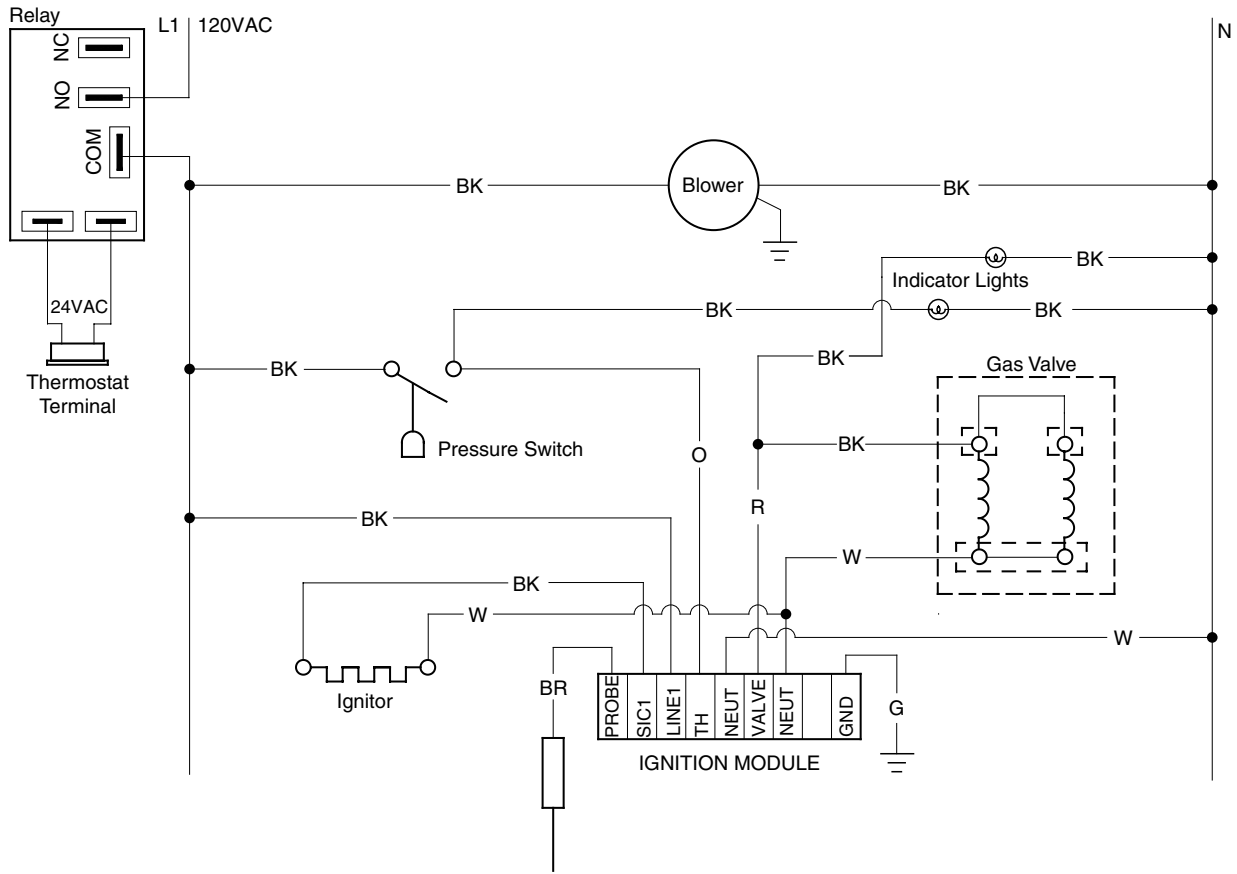


Figure 2.3 • Alternative Wiring Diagrams

A. TP-351A Ladder Diagram - Internal Relay Option (24VAO)



B. TP-351A Block Diagram - Internal Relay Option (24VAO)

