

# Low Intensity Parts Instruction Sheet

## TP-260F Exhaust Pressure Switch Replacement

**Note:** For use with heaters with dual pressure switches.

**Models Affected** (Dual Switch Models, Exhaust Switch) Manufactured Prior to 06/03

HL, HL2, DX, DX2, XTS (50,000 to 150,000 BTU models)

### Replaces

- TP-60F (PPS-10070-2553)

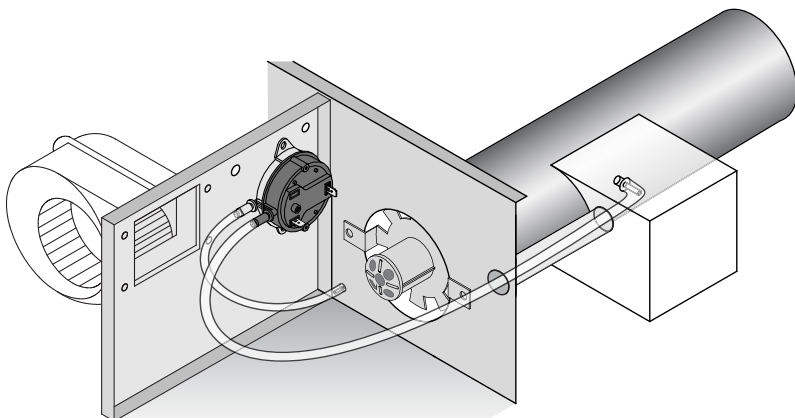
### Kit Contents

- TP-260F Normally Closed Exhaust Pressure Switch (IS22062052F5176)
- 20 in. Vinyl Sensing Tube
- Insect Resistant Brass Barb

### Installation Instructions

- 1 Disconnect electrical supply voltage to the heater and then remove control box cover.
- 2 Remove faulty switch.
- 3 Connect the negative (-) marked barb to the vinyl tube connected to the atmospheric brass barb (ducted outside the burner box).
- 4 Connect the positive (+) marked barb to the vinyl tube.
- 5 Reinstall the switch onto the center divide panel using one mounting hole on the new IS2 pressure switch.
- 6 Ensure that the vinyl tube(s) have a smooth radius bend and that there are no obstructions, bends or kinks.
- 7 Reconnect the spade terminals to COM and N.C.
- 8 Replace the control box cover.
- 9 Reconnect the electrical supply voltage and then replace control box cover.

**Figure 1** • Exhaust switch replacement for heaters with **dual switches**



### WARNING



The following installation **MUST** be performed by a qualified service person. Improper installation, adjustment, service or maintenance can cause property damage, injury or death.

### Tools Required

- Drill with 1/4 Inch Driver