

# Low Intensity Parts Instruction Sheet

## TP-60C Exhaust Pressure Switch Replacement

**NOTE:** Replaced/converted parts are NOT returnable for credit.

### Models Affected

DTHS(-2) (40,000 to 100,000 BTU/H models)

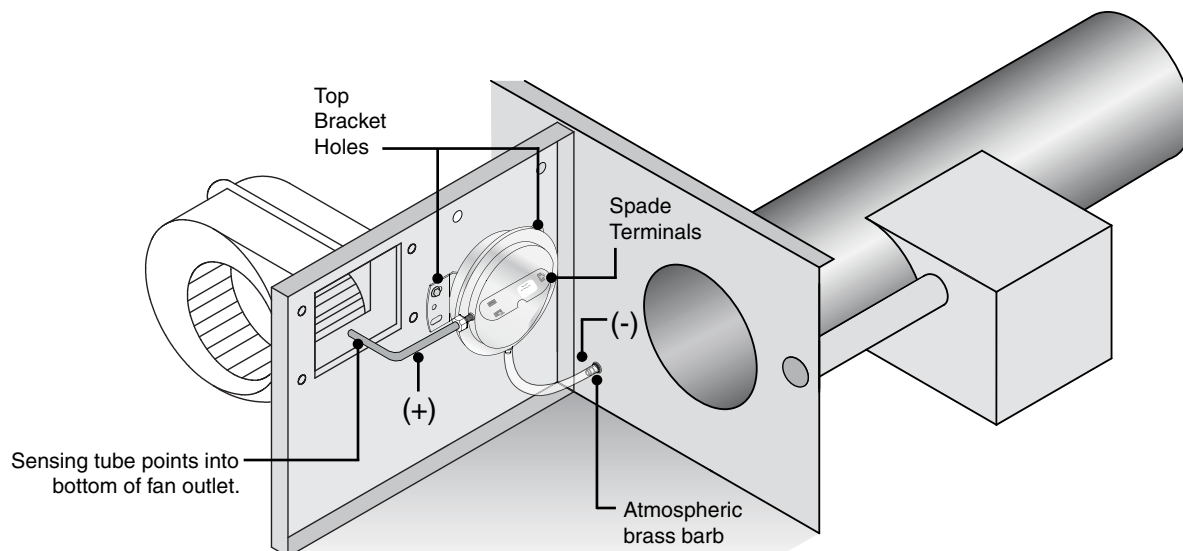
### Contents

- TP-60C Normally Closed Exhaust Pressure Switch FS6625-1172
- Vinyl Sensing Tube
- Aluminum Pick Up Tube
- Insect Resistant Brass Barb

### Installation Instructions

- 1 Disconnect electrical supply voltage to the heater.
- 2 Remove faulty switch.
- 3 Connect the aluminum pick up tube to the positive (+) nutted connection of the exhaust switch and tighten.
- 4 Connect the vinyl tube to the negative (-) barb.
- 5 Reinstall the switch onto the center divide panel securing through the two top holes of the switch mounting bracket. This ensures the aluminum pick up tube is located in the proper position at the bottom of the fan outlet - pointing toward the squirrel cage (Figure 1).
- 6 Ensure that the vinyl tube has a smooth radius bend and that there are no obstructions, bends, or kinks.
- 7 Reconnect the spade terminals to COM and N.C.
- 8 Replace the control box cover and reconnect the electrical supply voltage.

**Figure 1** • Exhaust switch replacement for heaters with **dual switches**



### WARNING



Only trained, qualified gas installation and service personnel may install or service this equipment.

Improper installation, adjustment, alteration, service or maintenance can cause property damage, serious injury or death.

Contact the factory with any questions.