

Low Intensity Parts Instruction Sheet

TP-264D Burner Pressure Switch Replacement

NOTE: Replaced/converted parts are not returnable for a refund.

Models Affected (Dual Pressure Switches)

*DBS, LD, LS (30 MBH Models), HL, HL-2, DX, DX-2, XTS (125-175 MBH Models), RVA, AG2, AG1 (150 MBH Models)

Kit Contents

- TP-264D Normally Open Pressure Switch (IS2F5170).
- 20 in. Vinyl Sensing Tube.
- Insect Resistant Brass Barbs (Qty. 2).

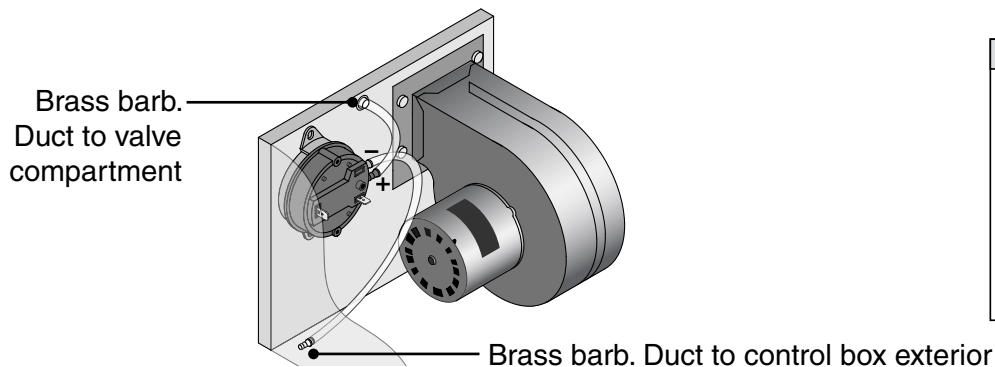
Replaces

- TP-61D (PPS-2551)
- DB-218

Installation Instructions

- 1 Disconnect electrical supply voltage to the heater and then remove the control box cover.
- 2 Remove faulty switch from the valve compartment.
- 3 Connect the negative (-) marker barb to the vinyl tube connected to the atmospheric brass barb (ducted outside the burner box).
- 4 Connect the positive (+) marked barb to the vinyl tube (Figure 1) ducted to the valve compartment.
- 5 Reassemble the switches on the center divide panel using one mounting hole on the new IS2 pressure switch.
- 6 Ensure that the vinyl tube(s) have a smooth radius bend and that there are no obstructions, bends or kinks.
- 7 Reconnect the spade terminals to COM and N.O.
- 8 Reconnect the electrical power supply voltage and then replace control box cover.

Figure 1 • Burner Switch Replacement for heaters with **dual switches**.

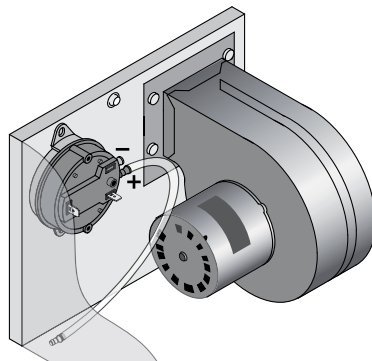


NOTICE



This figure illustrates a dual pressure switch configuration when the TP-264D serves as the normally open pressure switch wired upstream of the normally closed exhaust pressure switch.

Figure 2 • Exhaust Switch Replacement for DBS heaters (-) No hose (+) Duct to control box exterior.



NOTICE



This figure illustrates the exhaust switch configuration when the TP-264D serves as the normally open pressure switch wired upstream of the normally open burner pressure switch. On a DBS unit.

Low Intensity Parts Instruction Sheet

TP-264D Differential Switch Replacement

NOTE: Replaced/converted parts are not returnable for a refund.

Models Affected (Differential Pressure Switch)

HL2, DX2, XTS, DET, DES, RH (175 MBH Models), RVA2, AG2, AG1 (150 MBH Models)

Kit Contents

- TP-264D Normally Open Pressure Switch (IS2F5170).
- 20 in. Vinyl Sensing Tube.
- Insect Resistant Brass Barb.

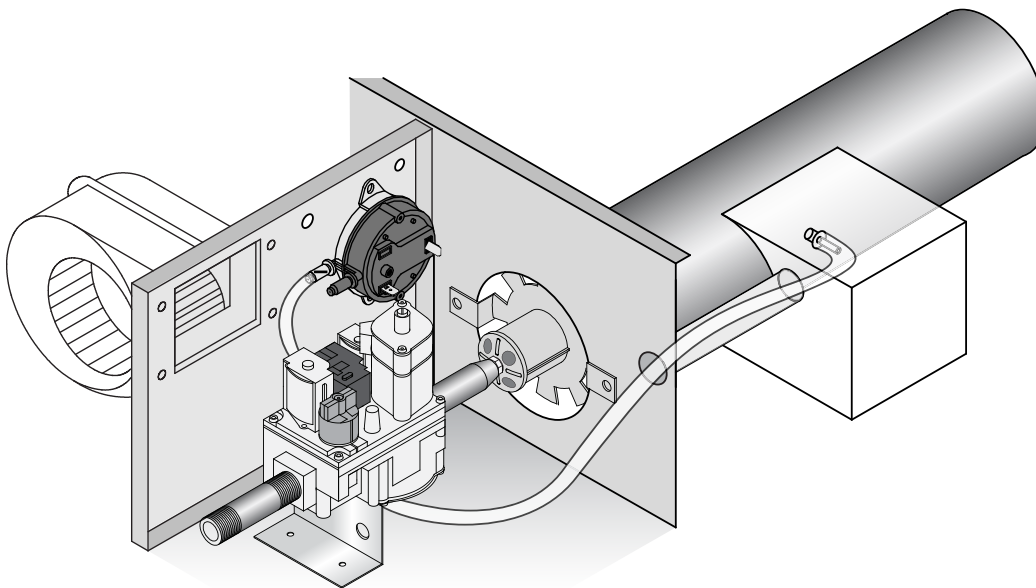
Replaces

- TP-61D (PPS-2551)

Installation Instructions

- 1 Disconnect electrical supply voltage to the heater and then remove control box cover.
- 2 Remove faulty switch from the valve side compartment.
- 3 Connect the 20 in. vinyl sensing tube to the new IS2 pressure switch barb fitting marked (-).
- 4 Reassemble the switch on the center divide panel using one mounting hole on the new IS2 pressure switch.
- 5 Ensure that the vinyl tube has a smooth radius bend and that there are no obstructions, bends or kinks.
NOTE: Place vinyl hose below gas valve and away from burner inlet.
- 6 Reconnect the spade terminals to COM and N.O.
- 7 Replace the control box cover.
- 8 Reconnect the electrical power supply voltage.

Figure 3 • Differential Switch Replacement for heaters with a **single switch**.



NOTICE



This figure illustrates models with a single pressure switch configuration located in the valve compartment.

NOTE: On some models, the differential switch is located in the fan compartment. The new switch must be mounted to the existing bracket.