

Electric Heater Parts Instruction Sheet

Snap-In Style Element Replacement

NOTE: Replaced parts are NOT returnable for credit.

This replacement element may be used on the following models:

Affected Models

SW Series with Snap-In Element(s) built 03/15 - Present

MW Series with Snap-In Element(s) built 03/15 - Present

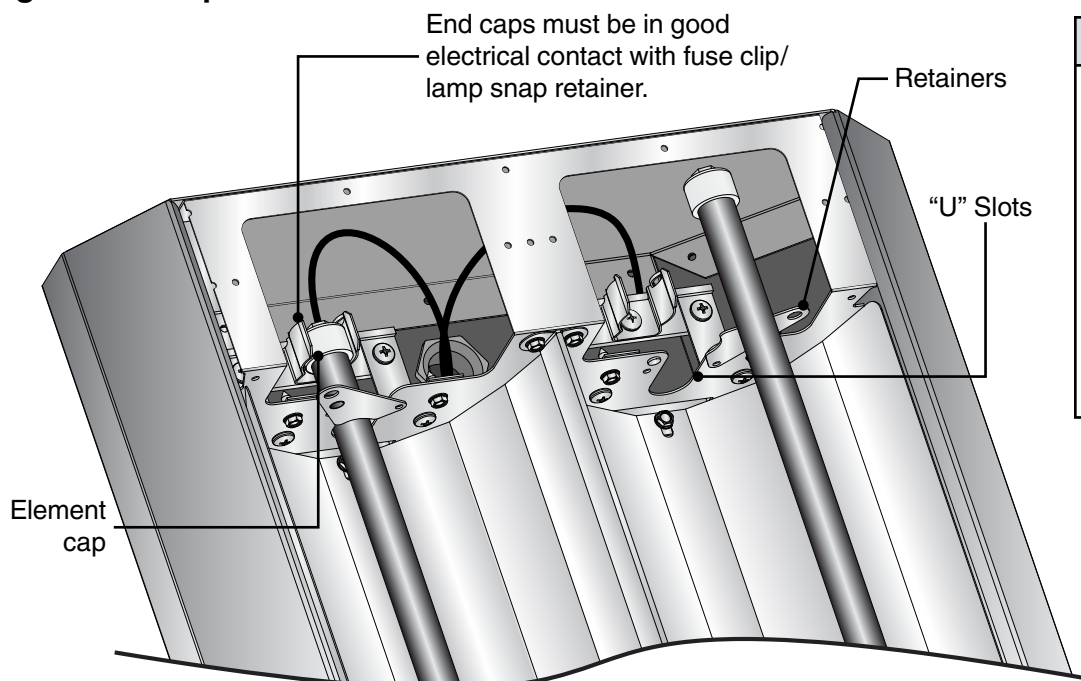
Parts List

- Lamp Element(s) (see *Installation, Operation, and Maintenance manual* for required part number and quantity)

Installation Instructions

- 1 Ensure appliance is OFF and is cool to the touch
- 2 Remove both service access panels using a 1/4" nut driver.
- 3 Open lamp retainers by firmly rotating on both sides of the unit (see Figure 1).
- 4 Position heating elements in "U" slots and firmly press the connector end into the clip(s), one end at a time.
Avoid handling the quartz glass as much as possible.
- 5 Rotate the lamp retainer into closed position.
- 6 Repeat steps 3 through 5 until all heating elements have been installed.
- 7 After heating elements have been installed, the quartz glass should be wiped off with alcohol using a clean cloth.
- 8 Reinstall the service access panels.

Figure 1 • Lamp Installation



WARNING



Disconnect power prior to installing or replacing supplied quartz lamp(s). The elements can and should be installed prior to mounting the heater.

NOTICE



These heaters are designed for use with Quartz lamp infrared heating elements only. **They are NOT intended to be used with straight metal rod heating elements.** Replace lamps with parts from Detroit Radiant Products Company only.

Electric Heater Parts Instruction Sheet

Wire Lead Style Element Replacement

NOTE: Replaced parts are NOT returnable for credit.

This replacement element may be used on the following models:

Affected Models

SW Series with Wire Lead Element(s) built 11/10 - 02/15

Parts List

- Lamp Element(s) (see *Installation, Operation, and Maintenance manual* for required part number and quantity)

Installation Instructions

- 1 Remove the service access panels and open lamp retainers.
- 2 Position heating elements in “U” slots at the ends of the reflector. When utilizing the ruby lamps, the lamp adapter plates (EL-006) must first be removed.
- 3 Close lamp retainers to secure the heating element in the slot (see Figure 2).
- 4 Carefully wrap the heating element pigtail one revolution clockwise around terminal screws (see Figure 3).
NOTE: Cut excess pigtail off at terminal to prevent lead from touching metal parts. **Avoid handling the quartz glass as much as possible.** Quartz glass should be wiped off with alcohol using a clean cloth.
- 5 Tighten the terminal screws (see Figure 3). **CAUTION:** Do not pull pigtail too tightly that pressure is being placed on the heating element. Maintain a 1/2” slack in the pigtail.
- 6 Reinstall service access panels using sheet metal screws as removed in Step 1.

Figure 2 • Lamp Installation

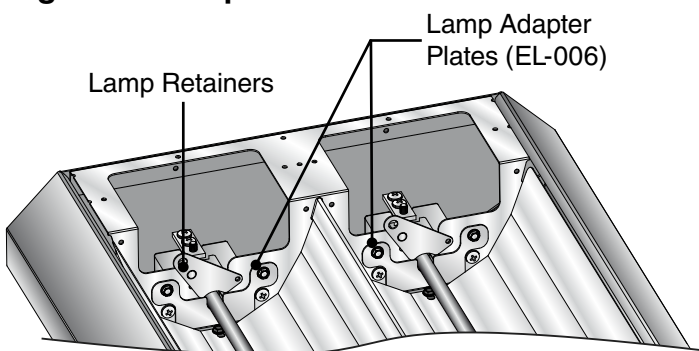
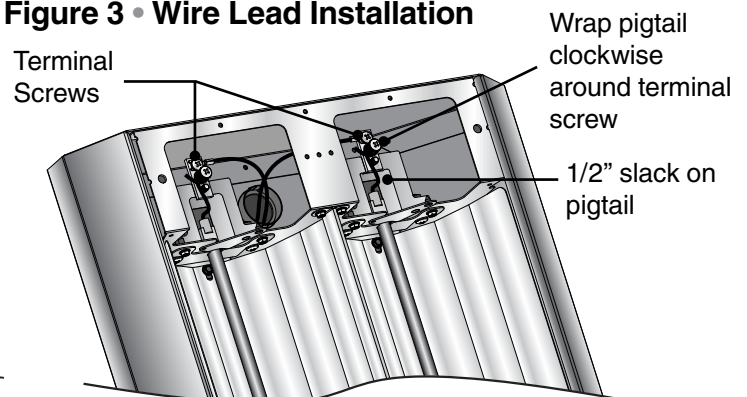


Figure 3 • Wire Lead Installation



NOTICE



These heaters are designed for use with Quartz lamp infrared heating elements only. They are **NOT** intended to be used with straight metal rod heating elements. Replace lamps with parts from Detroit Radiant Products Company only.