

Tube Heater Parts Instruction Sheet

DB-264B Burner Pressure Switch Replacement

INSTRUCTIONS FOR DBS SERIES HEATERS

Contents

- (1) DB-264B Normally Open Pressure Switch (IS2F5166).
- (1) Vinyl Sensing Tube.
- (1) 90° Mounting Bracket.
- (1) Plastic Zip-Tie.

Replaces

DB-61B
(FS4450-1430)

DBS Pressure Switch Installation Instructions

1. Disconnect electrical supply voltage to the heater.
2. Remove the six 1/4" screws from control box cover and lift cover to access internal components.
3. Inspect the blower housing where the aluminum pick-up tube is inserted into the outlet of the blower. Skip to step 6 if the pick-up tube is secured to the housing via a plastic zip-tie.
4. Drill two (2) 3/32" holes into the blower housing on both sides of the pick-up tube as shown in Figure 1.
5. Insert flat end of zip-tie through drilled holes to secure pick-up tube; cinch and snip off excess (Figure 2).
6. Disconnect the two terminal wires from the faulty burner pressure switch located in the valve compartment.
Continue to page 2...

Figure 1 • DBS Series Blower - Top View

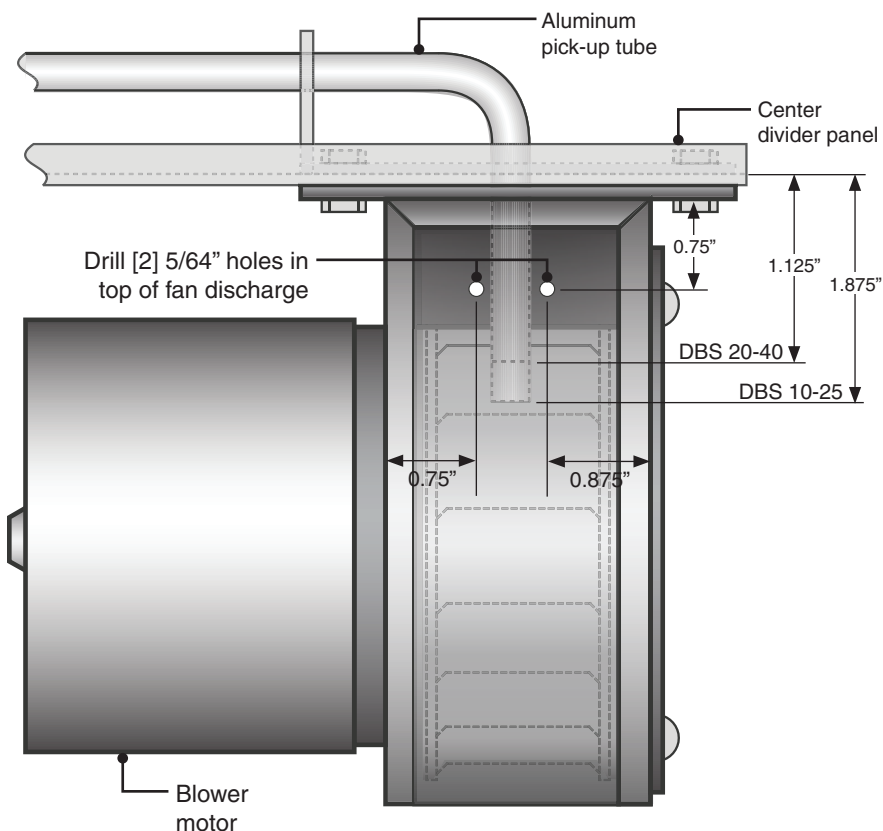
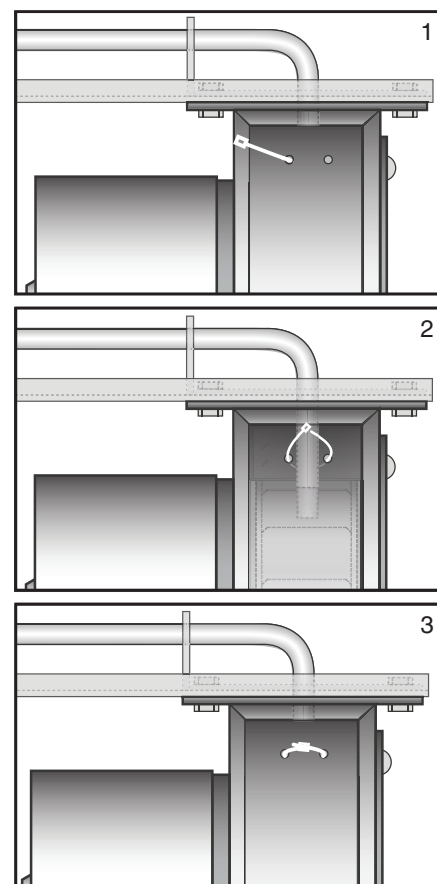


Figure 2 • Aluminum Pick-Up Tube Attachment



Form No. LSH088-4/07 (DRP)

Tube Heater Parts Instruction Sheet

DB-264B Burner Pressure Switch Replacement

...Continued from page 1.

7. Loosen the compression nut which holds the aluminum pick-up tube to the switch.
8. Starting with the mounting bolt located closest to the fan, remove the mounting bolts from the switch. Remove one at a time to prevent the adjacent switch from becoming detached.
9. Mount the new switch according to Figure 3. **Note:** Confirm that the ground wires are reinstalled under the switch mounting bolt on each side of the center divider panel.
10. Remove the top-right nut connecting the fan to the center divider panel, install the 90° mounting bracket and re-tighten nut.
11. Connect the existing vinyl hose between the positive (+) barb on the pressure switch and the aluminum pick-up tube (Figure 3). **Note:** This hose holds the pressure switch in proper alignment.
12. Connect the supplied vinyl hose between the negative (-) barb on the pressure switch and the atmospheric barb which ducts to the control box exterior. (Figure 3).
13. Reinstall the control box cover and connect electrical supply voltage to the heater.

Figure 3 • Burner Switch Replacement for DBS Series heaters.

