

High Intensity Parts Instruction Sheet

DRWH-120 Replacement Instructions

NOTE: Replaced/converted parts are NOT returnable for credit.

Models Affected

DR Series NFS-2/PFS-2 [120V]

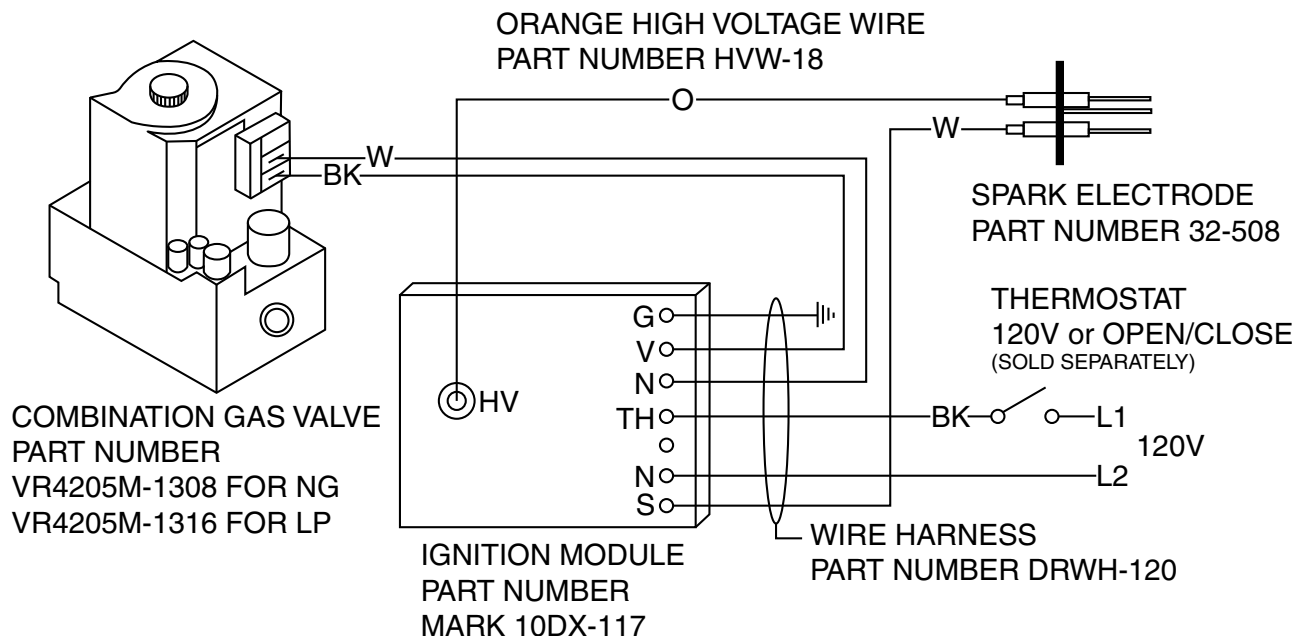
Contents

- DRWH-120 120 V Wire Harness

Installation Instructions

- 1 Open (turn off) electrical circuit to heater.
- 2 Close (turn off) gas supply to heater.
- 3 Disconnect harness or wires from circuit board and all wires to the electrode, gas valve, and thermostat.
- 4 Dispose of old wiring harness or wires.
- 5 Reconnect the new harness to the circuit board and all wires to the electrode, gas valve, and thermostat according to the diagram below.
- 6 Open (turn on) gas supply to heater.
- 7 Close (turn on) electrical circuit to heater.

Figure 1 • NFS-2/PFS-2 (120 V) Wiring Diagram



NOTE: The gas supply to the heater must be connected in accordance with national, state, provincial, and local codes. In the U.S., refer to the most current revisions to the ANSI Z223.1 (NFPA 54) standard. In Canada, refer to the most current revisions in the CAN/CGA B 149.2 standard.

WARNING



Only trained, qualified gas installation and service personnel may install or service this equipment.

Improper installation, adjustment, alteration, service, or maintenance can cause property damage, serious injury, or death.