

Low Intensity Accessory Installation Sheet

Single Mount Bracket Installation Instructions (P/N: SMB)

Note: For use with 'U' configured heaters.

Kit Contents

- (1) Chain Set
- (5) S-hooks
- (1) Spreader bar
- (4) Eyebolts

Installation Instructions

- ❶ Cut chains to accommodate mounting height.
- ❷ Connect chains using S-hooks as shown in Figures below; crimp hook to secure.
- ❸ Using S-hooks, attach chains to eyebolts affixed to spreader bar; crimp S-hooks to secure.
- ❹ Place hangers as shown in Figures below; crimp S-hooks to secure.

Chart 1 • Required Single Mount Brackets (P/N: SMB) per Heater

| Model Length | 10 ft. | 20 ft. | 30 ft. | 40 ft. | 50 ft. | 60 ft. | 70 ft. | 80 ft. |
|--------------|--------|--------|--------|--------|--------|--------|--------|--------|
| with TF1B | N/A | 2 | 3* | 3 | 4* | 4 | 5* | 5 |

* Model requires P/N: 5EA-SUB accessory package when installing in a U-shaped configuration.

Note: An additional two (2) chain sets (P/N: THCS) are required to mount burner box. Use of #1 double loop chain is recommended for heater hanging.

Figure 1 • End View

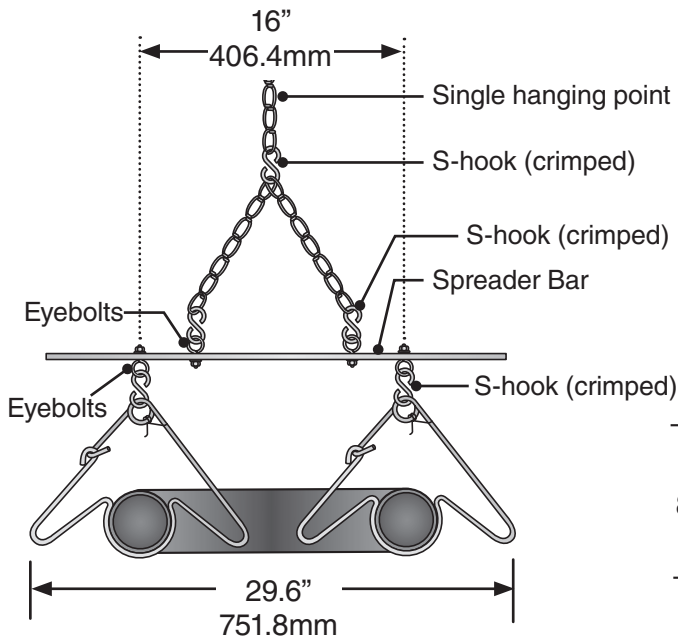


Figure 2 • Side View

