

# Low Intensity Accessory Instruction Sheet

## Reflector 'U' Assembly Instructions (P/N: RU)

**NOTE:** For use with 20 ft. to 80 ft. tube heater models.

### Kit Contents

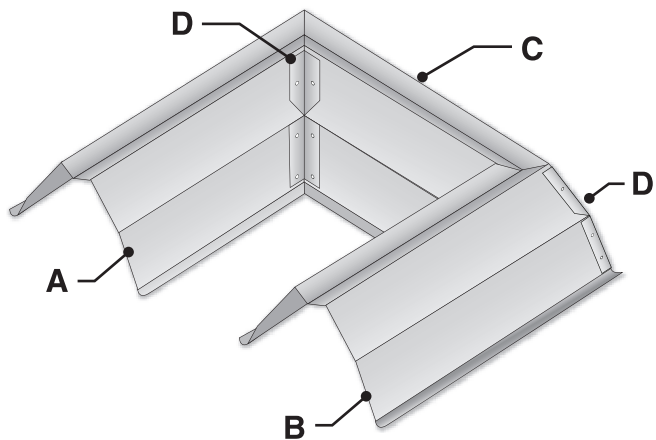
- (1) A: Left Panel
- (1) B: Right Panel
- (1) C: Center Panel
- (4) D: Connecting Brackets
- (24) Sheet Metal Screws

### Assembly Instructions

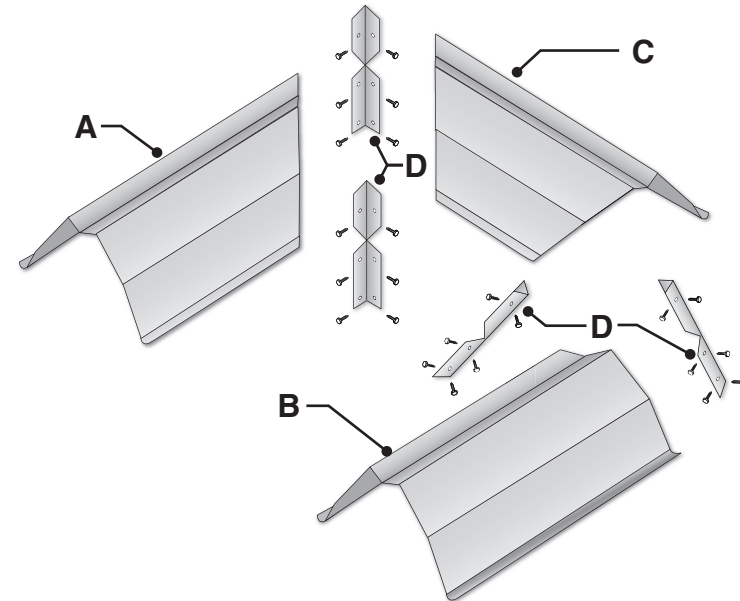
- 1 Organize panels A, B, and C as shown in Figure 1.
- 2 Using connecting brackets (D), attach panels A and B to panel C with sheet metal screws as shown in Figure 2.
- 3 Secure assembled reflector 'U' (P/N: RU) to other reflector sections using sheet metal screws (field supplied). Reference the Tube Heater General Manual, Chart 3.6 (page 23) for secured reflector joints.

**NOTE:** Reflectors cannot be rotated when used with this accessory.

**Figure 2 • Assembled Reflector 'U' (P/N: RU)**



**Figure 1 • Unassembled Reflector 'U' (P/N: RU)**



**Figure 3 • Reflector 'U' (P/N: RU) Dimensions**

