

Low Intensity Accessory Instruction Sheet

Reflector Elbow Assembly Instructions (P/N: RE)

NOTE: For use with 20 ft. to 80 ft. tube heater models.

Kit Contents

- (1) A: Left Panel
- (1) B: Right Panel
- (2) C: Connecting Brackets
- (12) Sheet Metal Screws

Assembly Instructions

- ❶ Organize panels A and B as shown in Figure 1.
- ❷ Using connecting brackets (C), attach panel A to panel B with sheet metal screws as shown in Figure 2.
- ❸ Secure assembled reflector Elbow (P/N: RE) to other reflector sections using sheet metal screws (field supplied). Reference the Tube Heater General Manual, Chart 3.6 (page 23) for secured reflector joints.

NOTE: Reflectors cannot be rotated when used with this accessory.

Figure 2 • Assembled Reflector Elbow (P/N: RE)

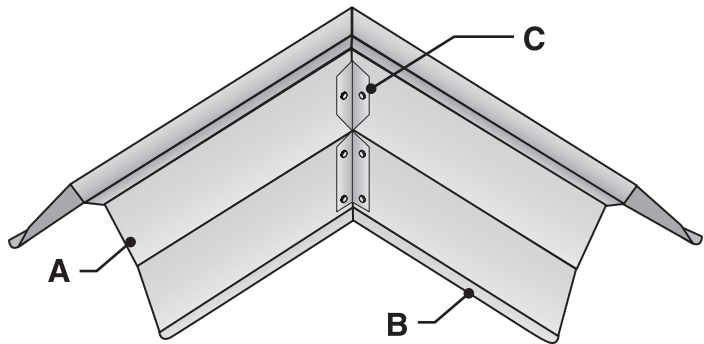


Figure 1 • Unassembled Reflector Elbow (P/N: RE)

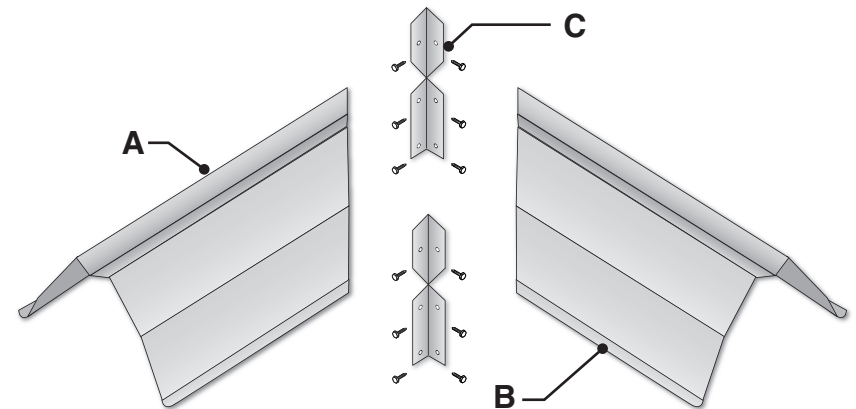


Figure 3 • Reflector Elbow (P/N: RE) Dimensions

