

High Intensity Parts Instruction Sheet

Burner Rayhead Assembly Replacement

Contents

1) DR-RH or DR-RHP Ceramic Rayhead Assembly (rods sold separately).

Installation Instructions

- 1 Disconnect supply voltage to the heater and let cool.
- 2 Reflector disassembly is not required; however, recommended for ease.
- 3 Remove the four reflector bolts and slide the reflector up. **NOTE:** It may be necessary to remove controls.
- 4 Remove the flash shield (see Figure 1).
- 5 Remove the four (4) rayhead bolts from the faulty rayhead(s) and remove (see Figure 1).
- 6 Remove the nine (9) rods from the rayhead assembly by sliding them up. Set aside.
- 7 Install the existing rods into the new rayhead assembly.
- 8 Reinstall rayhead(s) by reversing steps 1-7. **NOTE:** Rayhead tabs **must** be adjacent to manifold tabs (see Figure 2).

Figure 1 • Heater Assembly

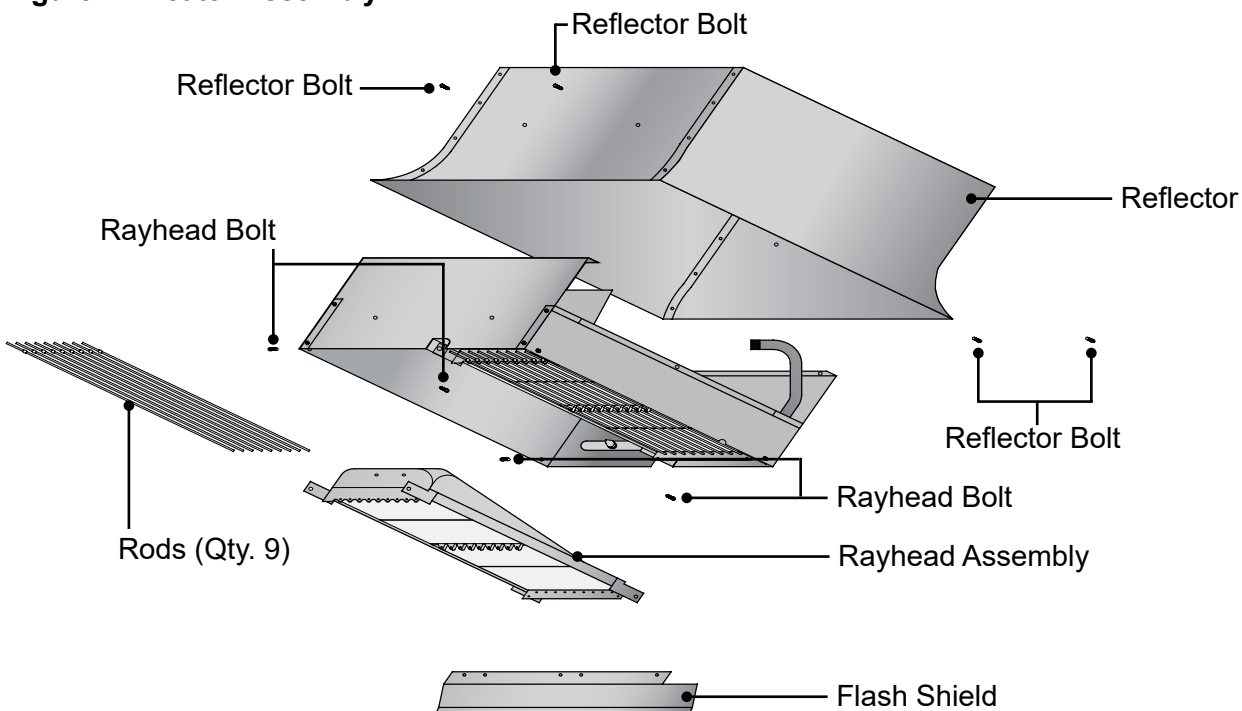
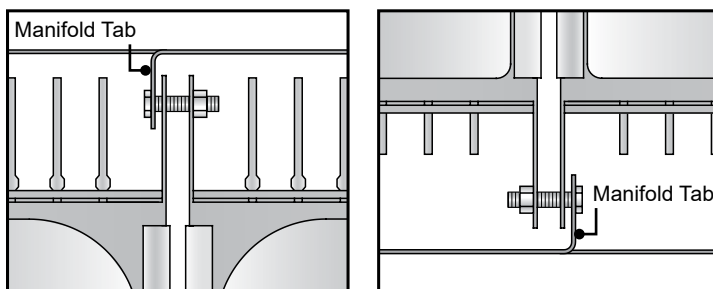


Figure 2 • Manifold Tab*



* Rayhead tabs placement **MUST** be adjacent to the manifold tab as shown.