

# Low Intensity Accessory Instruction Sheet

## Air Intake Installation Instructions & Requirements

**Note:** For use with all tube heater models.

### Installation Guidelines

- Combustion air should never be taken from an attic space, unless approved by the factory.
- Installer should never locate air intake next to a steam/moisture source or near a heater's exhaust.
- A maximum of two (2) 90° elbows are permitted in each system.
- Outside combustion air is recommended in dirty or harsh environments. Proper air intake is vital for efficient operation and product longevity.
- A factory approved wall intake cap (P/N: WIV-4) must be used with horizontal outside intake ducts. The wall intake cap (P/N: WIV-4) must be installed to prevent blockage. Locate the intake where dirt, steam, snow, etc. will not contaminate or clog the intake screen.

### WARNING



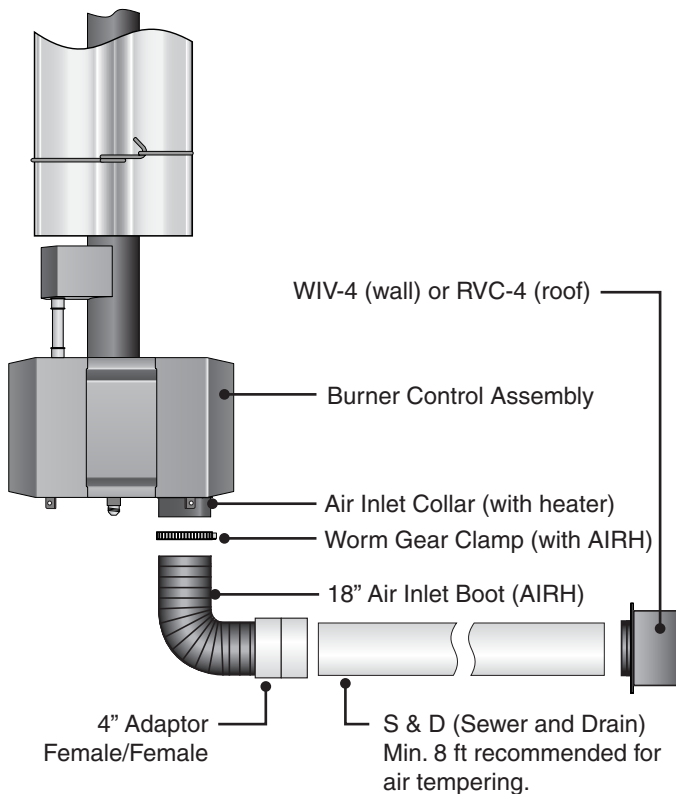
Only trained, qualified gas installation and service personnel may install or service this equipment.

Improper installation, adjustment, alteration, service or maintenance can cause property damage, serious injury or death.

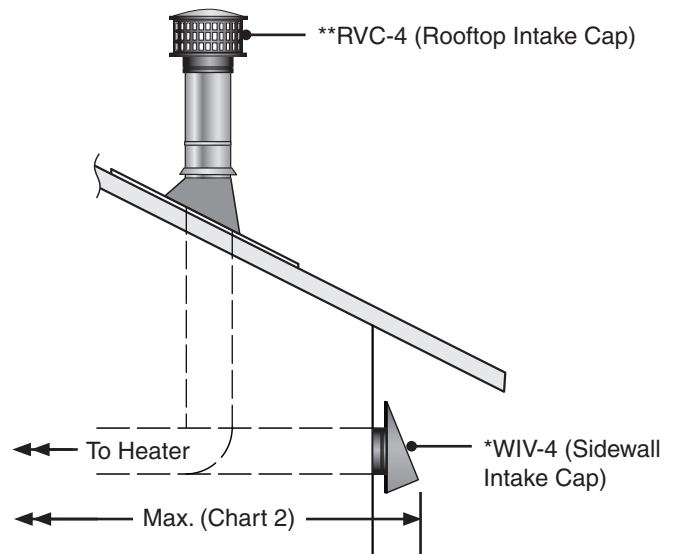
### Installation Instructions

- 1 Overlap worm gear clamp on the air inlet boot.
- 2 Apply sealant onto the air inlet boot.
- 3 Slip the air inlet boot completely on the burner air inlet collar.
- 4 Tighten the worm gear clamp.
- 5 Insert field supplied S&D pipe into the adaptor to mate with the air intake cap. **Note:** The use of PVC primer and cement is recommended.

**Figure 2 • Assembly**



**Figure 1 • Typical Installation**



**Chart 1 • Maximum Air Intake Distances**

4 Inch Dia.	5 Inch Dia.	6 Inch Dia.
20 Feet	30 Feet	40 Feet

**Note:** 4 to 6 inch adapter is field supplied.

**Chart 2 • Available Air Intake Accessories**

Part No.	Description
AIRH	Air inlet boot, adapter and worm gear clamp.
WIV-4*	Sidewall inlet cap with bird screen.
RVC-4**	Rooftop inlet cap.

\* Do not use with rooftop intake applications.

\*\* Do not use with sidewall intake applications.