

Low Intensity Accessory Instruction Sheet

DB-RTVP & RTVP-4 Installation Sheet

The installation of this venting MUST conform with local building codes or, in the absence of local codes, with the National Fuel Gas Code, ANSI-Z223.1-1999 (NFPA54 current edition).

A 1 in. clearance (air space) to combustible material must be maintained when using B-Vent, regardless of the diameter.

DB-RTVP Parts List (3" rooftop vent package)

Note: 3" Vent pipe must be used when single venting LS3 & LD3 Series.

- (1) 3" "B" To "C" Adapter (DB-211)
- (1) 3" Rooftop Vent Cap (DB-RVC)
- (1) 3" Rooftop Firestop Spacer (DB-FS)
- (1) 3" Adjustable Rooftop Flashing (DB-ARF)
- (1) 3" Storm Collar (DB-SC)
- (1) 3" 90° Vent Elbow (DB-VE)
- (1) High Temperature Sealant (RTV-106)

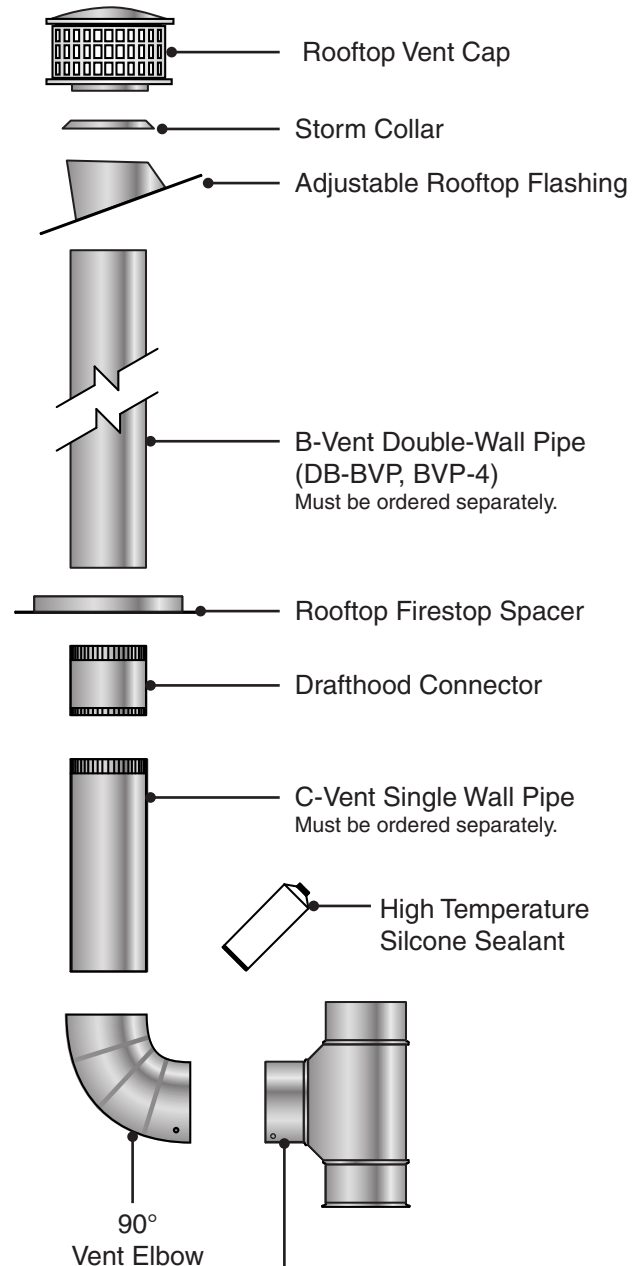
Note: B or C vent pipe material must be ordered separately. B-Vent only offered as a 60" section.

RTVP-4 Parts List (4" rooftop vent package)

Note: 4" Vent pipe must be used when single venting DES3, DET3, DX2, DX3, DX3L, HL2, and HL3 Series.

- (1) 4" Rooftop Vent Cap (RVC-4)
- (1) 4" Drafhood Connector (DHC-4)
- (1) 4" Rooftop Firestop Spacer (FS-4)
- (1) 4" Adjustable Rooftop Flashing (ARF-4)
- (1) 4" Storm Collar (SC-4)
- (1) 4" 90° Vent Elbow (VE-4)
- (1) 4" Vent Tee with 4" clean out (VT-4)
- (1) High Temperature Sealant (RTV-106)

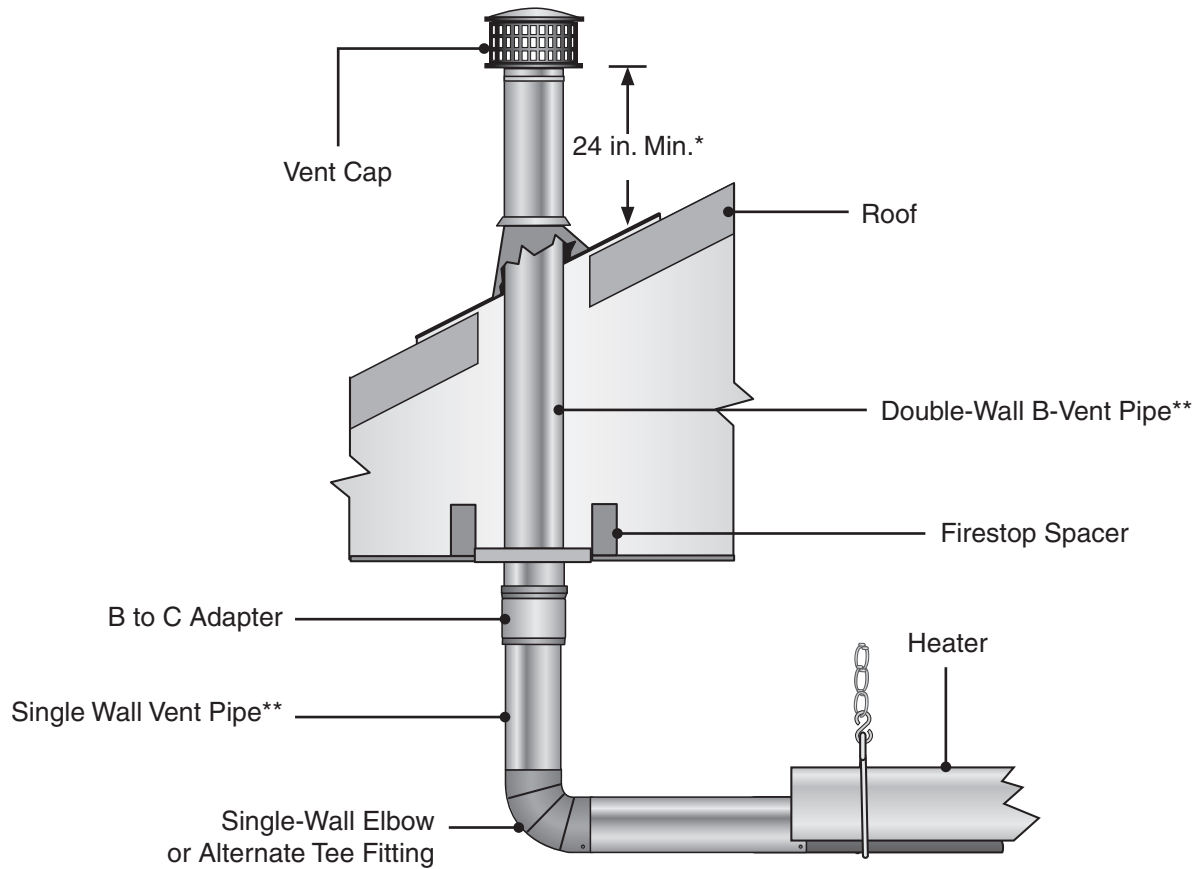
Figure 1 • Parts List



Low Intensity Accessory Instruction Sheet

Rooftop Vent Package Assembly Diagram

Figure 2 • Rooftop Vent Requirements



*Consult the NFPA ANSI Z223.1 Gas Vent Termination criteria if roof pitch exceeds 9:12.

**Item not included in the kit.