

Low Intensity Accessory Instruction Sheet

Side Shield Extension Installation Instructions (P/N:SSE)

Kit Contents

- (1) 62" x10.5" Side Shield
- (2) 0° Mounting Brackets
- (1) 4" Reflector Center Support (TP-82)
- (8) Self-Tap Screws

Note: XTS3, DET3 and DES3 Series models require the purchase of an additional TP-82.

Tools Needed

- Gloves
- Drill with 1/4 inch nut driver
- 1/8 inch drill bit
- Felt tip marker
- Level

Installation Instructions

- 1 Verify all kit components are present. Prior to installation, shut off unit and allow adequate time to cool to room temperature.
- 2 Secure 0° mounting brackets (B) to the side shield (A), using the pre-punched holes and screws (D) provided. Ensure that the polished side of the side shield is facing towards the mounting brackets.
- 3 Support the side shield assembly in the desired location, and mark the screw holes with a felt tip marker. Verify that the mounting brackets are 90° adjacent to the reflector.
- 4 Remove the assembly and drill out pilot holes in the reflector using a 1/8 inch drill bit.
- 5 Secure the side shield assembly to the reflector using the screws provided. See final assembly Figure 1.

Note: If more than one 62 inch section is being installed, overlap approximately 4 inches as shown in Figure 2.

IMPORTANT! The installation of Side Shield Extensions alter the clearances to combustibles. Consult published clearances posted on heater for required distances. Clearances to combustibles **must** be maintained at all times.

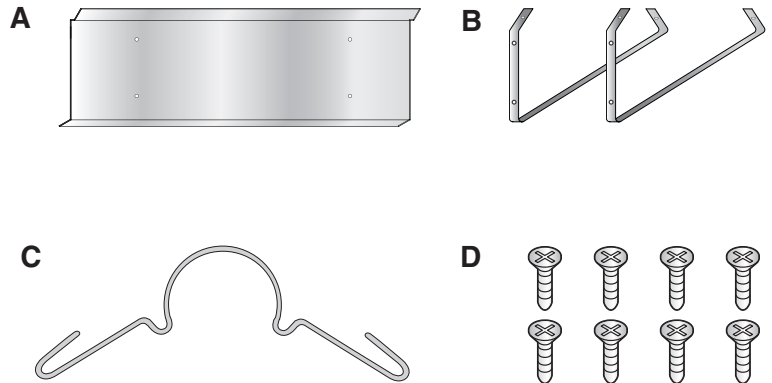


Figure 1 • Side Shield Extension • End View

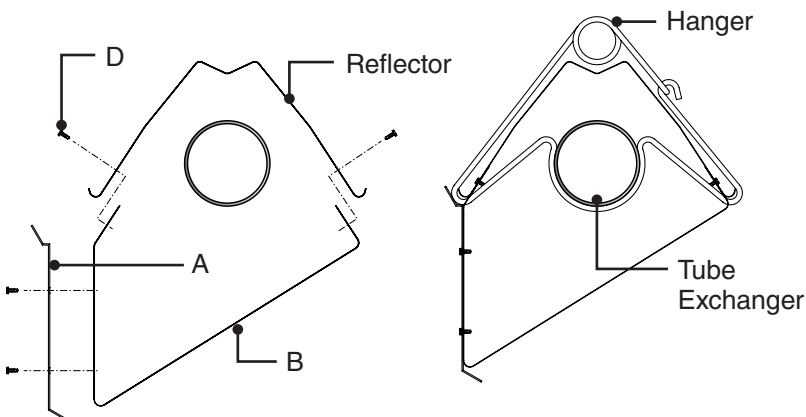


Figure 2 • Side Shield Extension • Iso View

