

Tube Heater Parts Instruction Sheet

TP-FRK Installation Instructions

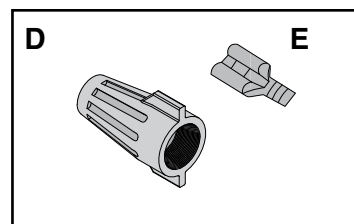
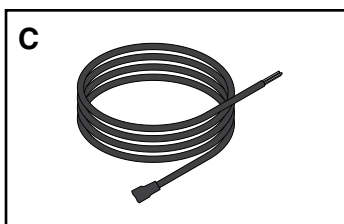
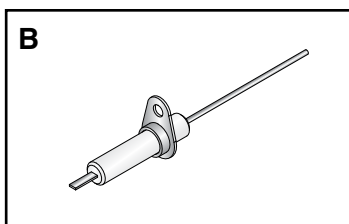
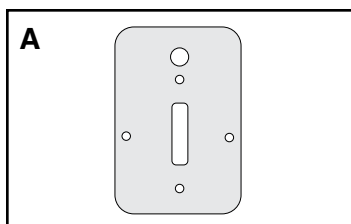
Kit Contents

- A - (1) TP-221 Glo-Bar Gasket Holder
- B - (1) TP-222 Flame Rod
- C - (1) TP-222A Flame Rod Wire
- D - (1) Orange Wire Nut
- E - (1) Spade Terminal

WARNING



To avoid electrical shock or damage to equipment, disconnect power supply before installing or servicing.



NOTE: Use caution when removing and installing Glo-Bar as it is very fragile and may break under excessive force.

Installation Instructions for HL Series

- ❶ **IMPORTANT:** Turn off the power to the heater.
- ❷ Using the gasket as a template, drill a 3/8" hole in the starter tube (see Fig. 1). **Note:** Always drill a pilot hole first to ensure proper location.
- ❸ Reassemble with new gasket (see Fig. 2). Ensure that Glo-Bar is locked into place with the spring.
- ❹ Remove SIC Glo-Bar connection from circuit board.
- ❺ Remove terminal end and strip wire.
- ❻ Join flame rod wire and Glo-Bar neutral (SIC2) together with female spade terminal provided and crimp. Reconnect spade to SIC2 on board.

Installation Instructions for DX Series

- ❶ **IMPORTANT:** Turn off the power to the heater..
- ❷ Using the gasket as a template, drill a 3/8" hole in the starter tube (see Fig. 1). **Note:** Always drill a pilot hole first to ensure proper location.
- ❸ Reassemble with new gasket (see Fig. 2). Ensure that Glo-Bar is locked into place with the spring.
- ❹ Cut one Glo-Bar wire and strip both ends.
- ❺ Strip flame rod wire and join with stripped Glo-Bar wires using the provided wire nut.

Figure 1 • Drill Hole in Tube

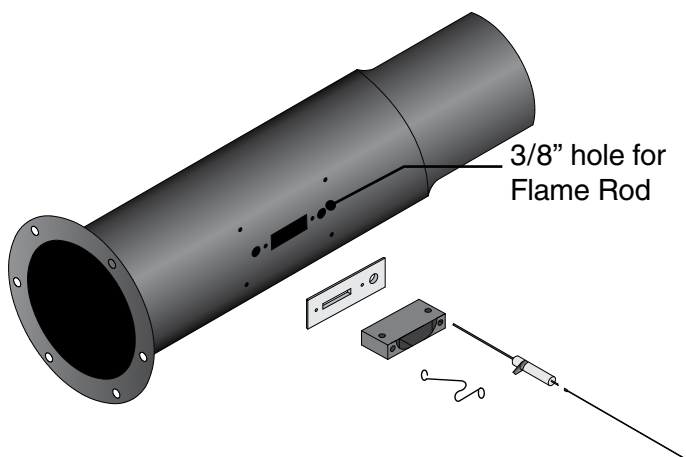


Figure 2 • Assembled Gasket and Glo-Bar Holder

