

DSS SERIES MEDIUM-WAVE

SUBMITTAL DATA-ELECTRIC INFRARED SPACE HEATERS

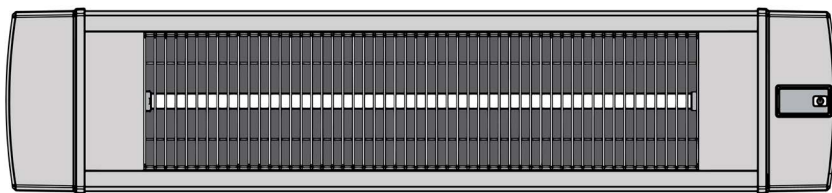
SUBMITTED BY: _____	DATE: _____
JOB TITLE: _____	CONTRACTOR: _____
ADDRESS: _____	PHONE #: _____
CITY: _____	ADDRESS: _____
STATE: _____ ZIP: _____	CITY: _____
ENGINEER: _____	STATE: _____ ZIP: _____
LOCAL REPRESENTATIVE: _____	PHONE: _____
	PHONE: _____

Qty.	Model Number	Volts	Watts	BTU	Amps	Typical Mounting Height ¹	Approx. Coverage	Approx. Watts per Square Foot	Weight
	DSS-35B1-A15	120	1,500	5,118	12.5	6 to 8 ft.	75 ft. ²	20	6.6 lbs (3 kg)
	DSS-35B1-C25	230	2,500	8,530	10.87	7 to 11 ft.	120 ft. ²	21	6.6 lbs (3 kg)
	DSS-35B1-A15-NR²	120	1,500	5,118	12.5	6 to 8 ft.	75 ft. ²	20	6.6 lbs (3 kg)
	DSS-35B1-C25-NR²	230	2,500	8,530	10.87	7 to 11 ft.	120 ft. ²	21	6.6 lbs (3 kg)

¹ Factory recommended mounting heights are listed as a guideline. If infrared heaters are mounted too low or too high, they may result in discomfort or lack of heat.

² -NR denotes a non-remote model.

Material Type	Lamp Qty.	Voltage Code	Lamp Wattage Code	Lamp Type (Color)
Black Rust-Proof Body	1	A = 120 VAC C = 230 VAC	15 = 1,500 25 = 2,500	White Carbon Fiber
	1			



Available in 1,500 W or 2,500 W.

DETROIT RADIANT PRODUCTS CO.



21400 Hoover Rd.
Warren, MI 48089-3162

Phone: (586) 756-0950
Fax: (586) 756-2626
Email: sales@drp-co.com
Website: www.reverberray.com

DSS SPECIFICATIONS



HEATER CONSTRUCTION

- Rustproof, black-colored body
- IP55 water resistant for use in harsh conditions
- Weatherproof - Heat is not affected by drafts, strong winds, or rain
- High-end quality and compact, aesthetic slim design

REFLECTORS

- Custom designed parabolic reflector reflects 99% of rays directly towards the target

CONTROLS

- Field supplied

LAMP ELEMENTS

- Carbon Lamps
- Instant heat-up
- Long lamp life and heat sensitivity

MOUNTING

- 0° to 45° mounting
- Universal burning position operates in all installation angles for ultimate versatility

ELECTRICAL SUPPLY

- Voltages from 120 to 230 VAC
- Single-phase
- 1,500 to 2,500 W
- 90 in. Cord & plug included on 120 VAC. Cord only on 230 VAC.

CONTROLS

- Field-supplied timer
- Remote supplied (except for -NR models)

APPROVALS

- ETL Listed
- CE Certified for indoor and outdoor applications
- Commercial/Industrial & Outdoor Residential Approval

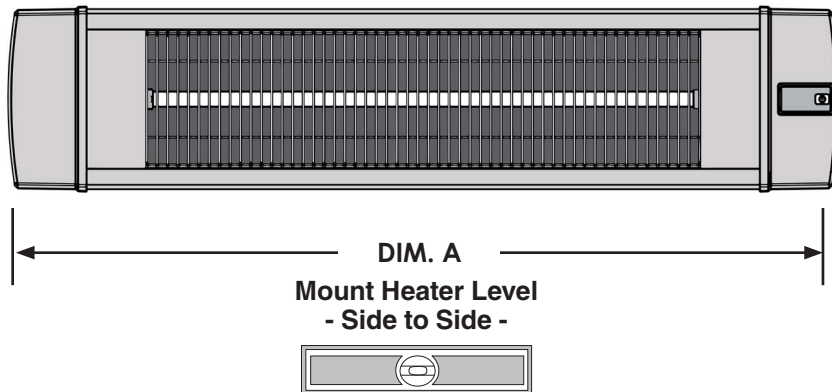
LIMITED WARRANTY

- All components - 1 year
- Please contact the factory for further information on the terms and conditions.*

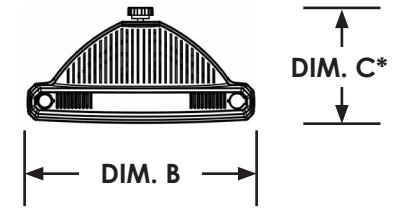
FIELD DATA

DIMENSIONAL INFORMATION

FRONT VIEW



END VIEW



MODEL NUMBER	DIM A INCHES (mm)	DIM B INCHES (mm)	DIM C INCHES (mm)
DSS-35B1-A15[-NR]	34.5 (876)	7.7 (195)	3.3 (85)
DSS-35B1-C25[-NR]	34.5 (876)	7.7 (195)	3.3 (85)

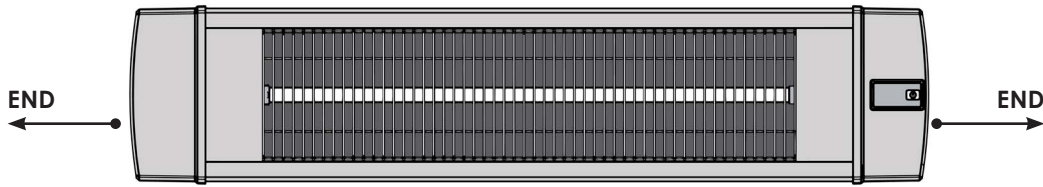
*This dimension does not include the mounting bracket. The mounting bracket is 4" high in its vertical orientation without included angle bracket. With angle bracket it is 6.67".

CLEARANCES TO COMBUSTIBLES (IN.)

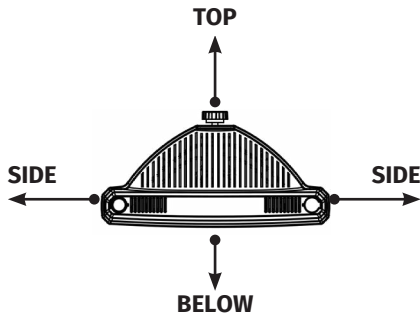
MODEL WATTAGE	MOUNTING ANGLE	SIDE		END	TOP	BELOW
		FRONT	BEHIND			
All Models	0°*	13	13	11	4	50
	45°	37	2	11	5	35

* Mounting angles exceeding 0° must use the included angle brackets or additional field-supplied brackets, spacers, chains, Grippler®, etc. as necessary to maintain clearances to combustibles.

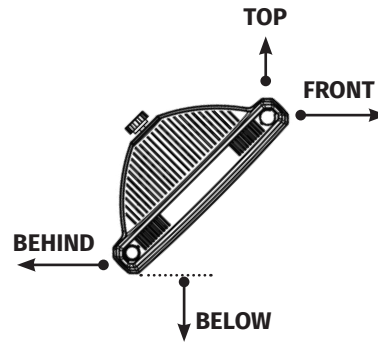
NOTE: Ensure that building materials with a low heat tolerance (i.e, awnings, fabrics, plastics, sprinklers, insulation, etc.) are protected against degradation. This may require the heater to be mounted at a distance in excess of the published clearances to combustibles. Contact the material manufacturer for specific details.



FRONT VIEW - 0° Mounting Angle



END VIEW 0° - Mounting Angle



END VIEW - 45° Mounting Angle

OPTIONAL ACCESSORIES

QTY.	PART NO.	DESCRIPTION	NOTES

WRITTEN SPECIFICATIONS

DSS SERIES INFRARED HEATER PARAMETER/SPECIFICATIONS

- Medium-wave electric infrared heaters shall be furnished and installed in accordance with governing codes and as shown per drawing(s) provided. Medium-wave electric heaters shall be **RE-VERBER-RAY® DSS SERIES**, as manufactured by Detroit Radiant Products Company, Warren, MI 48089.
- Medium-wave infrared heaters shall be Designed Certified by ETL and bear the ETL Seal of Certification for the United States and Canada.
- The supplier shall provide manufacturer's published warranty covering all components utilized in the heater control assembly for a period of one (1) year.
- The supplier shall furnish the owner/contractor with ____ copies of the engineering specification form, showing physical dimensions, installation detail, recommendations, wiring diagrams, and spare parts list.
- An Installation, Operation, Maintenance and Parts Manual (IOPM) shall be supplied with each heater.
- Medium-wave infrared heaters must be ETL Listed to operate at the designated rating of _____kW/h.
- Medium-wave infrared space heaters shall be supplied and installed in accordance with the manufacturers certified installation instructions and governing codes, as shown per building drawing(s) _____. Heaters shall be DSS Series, model numbers, input ranges in Watts.
- Field supply applicable controls.

DSS SERIES INFRARED HEATER CONTROLS

- Heaters shall operate in given voltages:

<u>Volt</u>	<u>Phase</u>	<u>Hertz</u>
120	1ph	50/60
230	1ph	50/60

DSS SERIES INFRARED HEATER CONSTRUCTION

- Factory supplied mounting brackets shall accommodate for horizontal ceiling mounting.
- Heaters shall operate in given wattage inputs of 1,500 to 2,500.
- The heater housing shall be constructed of black-colored aluminum with plastic end caps.
- The emitter tubing shall be carbon fiber.