

Low Intensity Accessory Instruction Sheet

Reflector 'T' Assembly Instructions (P/N: V-RTE)

Note: Used to cover V-T or V-TI on HLV Series Tube Heater Vacuum Systems.

Kit Contents

- (1) A: Left Panel
- (1) B: Right Panel
- (1) C: Center Panel
- (2) D: Connecting Brackets
- (15) Sheet Metal Screws

Assembly Instructions

- ❶ Organize panels A, B and C as shown in Figure 1.
- ❷ Using connecting brackets (D), attach panels A and B to panel C with sheet metal screws as shown in Figure 2.
- ❸ With panels (A) and (B) now overlapped, secure with three remaining sheet metal screws. Reference the Reflector Assembly section of the HLV Series Tube Heater Vacuum System Manual for additional installation instructions.

Note: Reflectors cannot be rotated when used with this accessory.

Figure 1 • Unassembled Reflector 'T' (P/N: V-RTE)

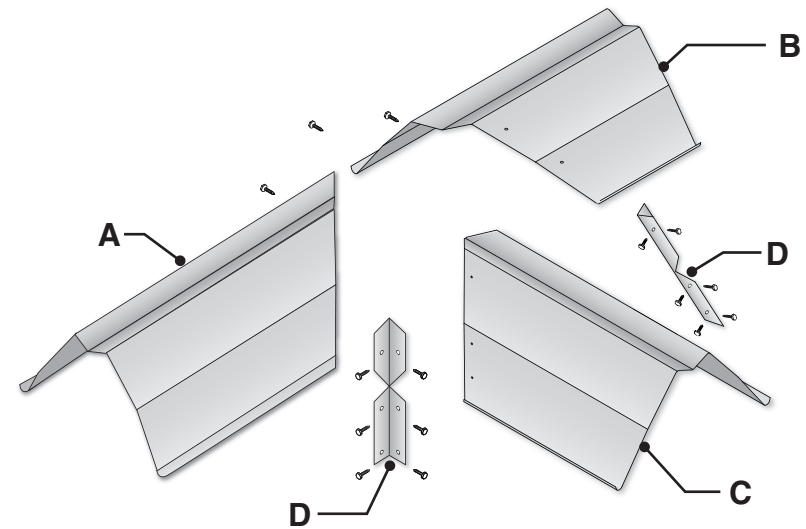


Figure 2 • Assembled Reflector 'T' (P/N: V-RTE)

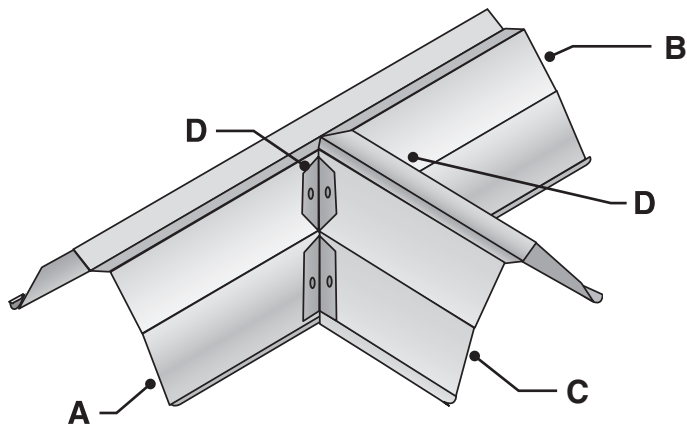


Figure 3 • Reflector 'T' (PN: V-RTE) Dimensions

