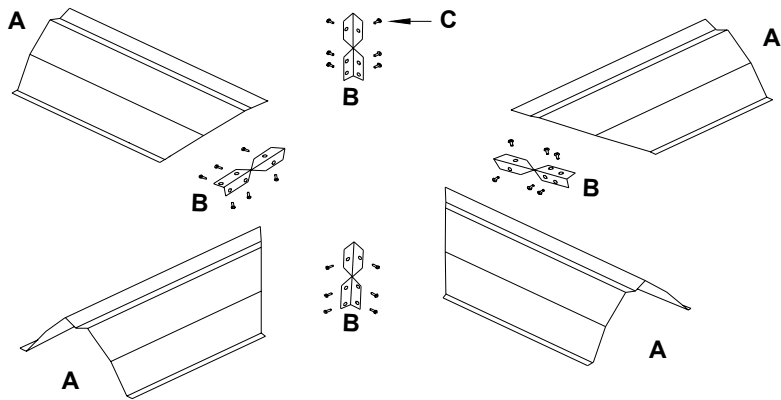


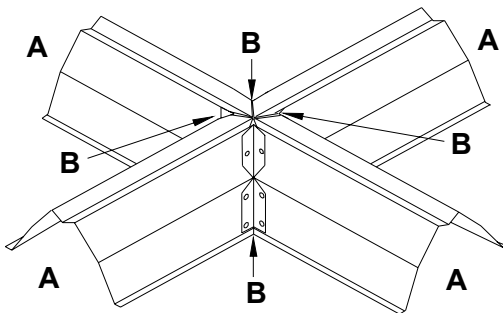
# DETROIT RADIANT PRODUCTS

## Reflector Cross Assembly Instructions



### PARTS LIST

- 4 Reflector Sections (A)
- 4 Angle Brackets (B)
- 24 Sheet Metal Screws(C)



### ASSEMBLY INSTRUCTIONS

Connect reflector pieces (A) with angle brackets (B) using sheet metal screws (C) as shown at left.



Printed in U.S.A.

© 2003 Detroit Radiant Products Co.  
21400 Hoover Rd., Warren, MI 48089  
T. (586) 756-0950 F. (586) 756-2626  
[www.reverberray.com](http://www.reverberray.com)  
Form# LSH005 1/D 7/03 (ID)

