

Low Intensity Accessory Instruction Sheet

Protective Guard Installation Instructions (P/N: DB-PG)

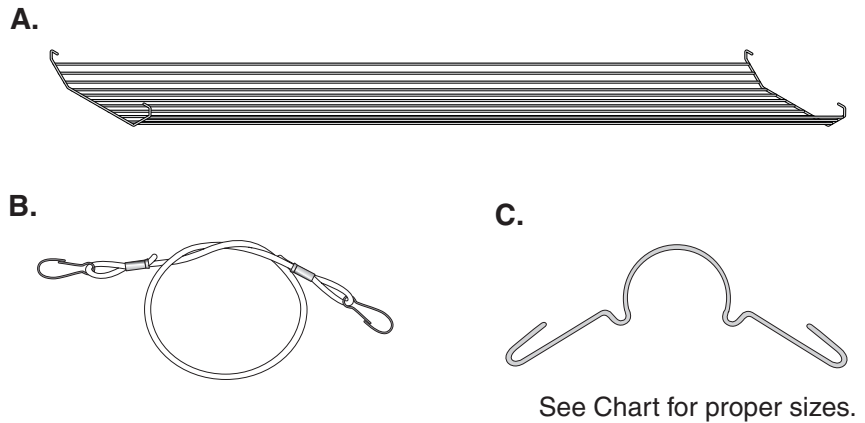
Note: For use with LD3 and LS3 Series heaters.

Kit Contents Per Guard

- (1) 60 in. Protective Guard
- (2) Restraining Cables
- (1) Reflector Center Support (RCS)

Qty's Per Heater Model			
Model No.	Qty. Guards Used per Heater	Qty. 3" RCS per Heater	Qty. 4" RCS per Heater
LS3 10-25	2	2	0
LS3 10-30	2	2	0
LS3 15-25	3	3	0
LS3 15-30	3	3	0
LS3/LD3 15-40	3	3	0
LS3/LD3 15-50	3	1	2
LS3/LD3 20-40	4	4	0
LS3/LD3 20-50	4	2	2
LS3/LD3 30-50	6	4	2

Figure 1 • Kit Contents



See Chart for proper sizes.

Installation Instructions

- 1 Install reflector center supports (C) on the exchanger tube prior to installing the reflectors. Reflector center supports must be installed at an equal distance apart, as shown in Figure 2.
- 2 Once the reflector center supports are installed, install the reflector according to the installation manual. **Note:** Failure to follow the proper procedure when attaching the reflectors will result in excessive noise and possible reflector failure.
- 3 After installing all reflector sections, install the protective guard (A) by hooking one end over the lip of the reflector, and gently swing the unit into place. The protective guard should be latched to the reflector on both sides, allowing the unit to hang freely.
- 4 Install restraining cables (B) to the protective guard (A), two per each section. Attach the clasp to the outermost rail of the protective guard, and loop it over the top of the reflector. Then, attach the opposite clasp on to the adjacent rail of the protective guard, as shown in Figure 3.
- 5 Install the second restraining cable to the protective guard on the opposite end, following the same procedure outlined in step 4. Continue to do so for the remaining sections of protective guards to be installed.

Figure 2 • Reflector Center Support

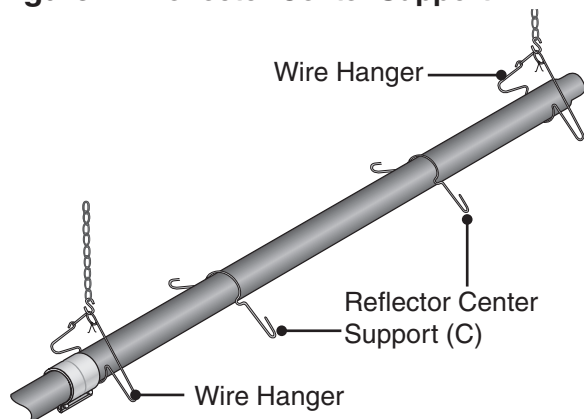


Figure 3 • Protective Guard - End View

