

# RE-VERBER-RAY SAFETY SUBMITTAL SHEET

## ELX SERIES CLEARANCES TO COMBUSTIBLES

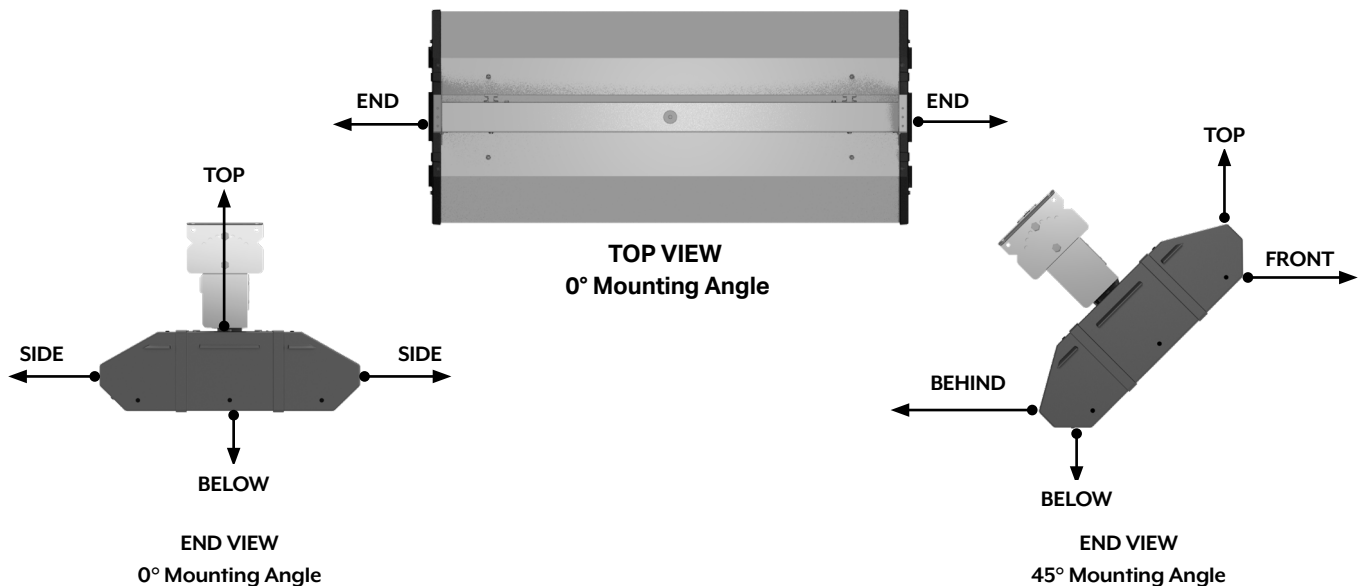
All listed clearances to combustibles are in inches.

| Length                | Mounting Angle | Side  |        | End | Top | Below | Minimum Mounting Height |
|-----------------------|----------------|-------|--------|-----|-----|-------|-------------------------|
|                       |                | Front | Behind |     |     |       |                         |
| <b>Single Element</b> |                |       |        |     |     |       |                         |
| 24"                   | 0°             | 16    | 16     | 12  | 6   | 56    | 6 ft.                   |
| 33"                   | 45°            | 47    | 4      | 12  | 10  | 40    |                         |
| 46"                   |                |       |        |     |     |       |                         |
| <b>Double Element</b> |                |       |        |     |     |       |                         |
| 24"                   | 0°             | 28    | 28     | 26  | 6   | 86    | 7.5 ft.                 |
| 33"                   | 45°            | 86    | 4      | 26  | 10  | 86    |                         |
| 46"                   |                |       |        |     |     |       |                         |
| <b>Triple Element</b> |                |       |        |     |     |       |                         |
| 24"                   | 0°             | 31    | 31     | 34  | 9   | 105   | 9 ft.                   |
| 33"                   | 45°            | 105   | 4      | 34  | 10  | 105   |                         |
| 46"                   |                |       |        |     |     |       |                         |

\* Heaters mounted on an angle between 0° and 45° must maintain clearances posted for 0° or 45°, whichever is greater.

\*\* Clearances to combustibles must be maintained when using recessed mount kits (P/N: ELx-FRxx). For additional information, refer to form # LSH123a—Recessed Mounting Frame Installation Instructions or contact the factory.

**NOTE:** Ensure that building materials with a low heat tolerance (i.e, awnings, fabrics, plastics, sprinklers, insulation, etc.) are protected against degradation. This may require the heater to be mounted at a distance in excess of the published clearances to combustibles. Contact the material manufacturer for specific details.



Read and understand the installation, operation, and maintenance manual prior to installing or servicing this unit.

In locations used for the storage of combustible materials, signs must be posted adjacent to the heater's thermostat specifying stacking heights.



Detroit Radiant Products | Phone: (586) 756-0950  
21400 Hoover Rd. | Email: sales@drp-co.com  
Warren, MI 48089 | www.reverberray.com

LSELXc-03/24 (DRPC)