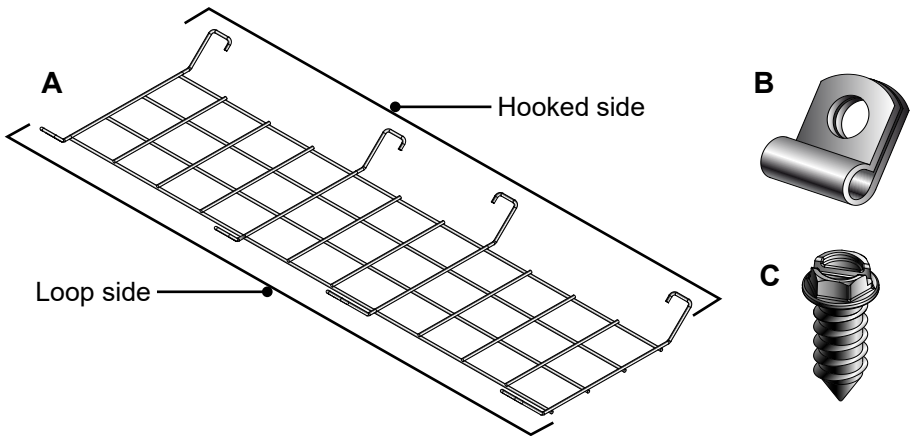


Electric Heater Accessory Sheet

Protective Guard (ELx-WGxx) Installation Instructions

Kit Contents

- (1) Protective Guard (A)
- (4) J-Clips (B)
- (8) #8 x 3/4" Self-Drilling Screws (C)



Installation Instructions

- ❶ Secure J-clips on each of the (4) hooked ends of the protective guard. Compress the J-clip over each hook. Make sure that each one is facing the same direction and that they spin freely over the wire and will not slide off (see Figure 2).
- ❷ Attach protective guard to the heater body by first inserting (4) #8 x 3/4" self-drilling screws into the starter holes provided through each J-clip.
Recommendation: Install J-clips to the same side of the heater body with the T-Hinge.
- ❸ Swing protective guard into position and secure by inserting the (4) remaining screws through each "loop" and into the starter holes provided on the heater body (see Figure 1).
- ❹ For heater maintenance, only remove hardware on the "loop" side of the wire guard. This will allow it to swing out of the way, giving access to the heating element(s).

Figure 1 • Protective Guard - Side View

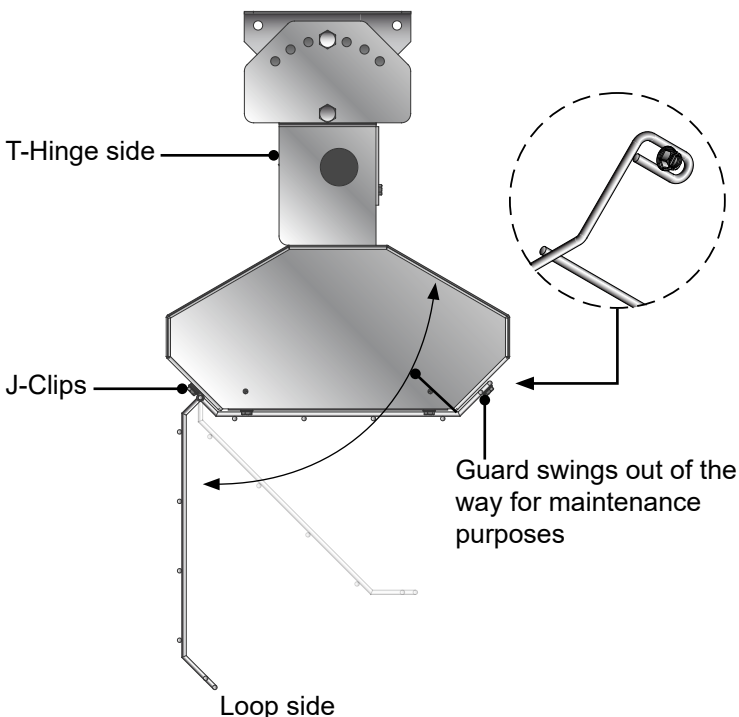


Figure 2 • Protective Guard - Assembled

