

RH Series Insert Manual



For complete installation instructions, see the Tube Heater General Manual that accompanies this Series Insert Manual.



The RH Series Infrared Tube Heater is a positive pressure, single-stage radiant heater system. This insert manual is a supplement to the Tube Heater General Manual and provides specific information related to the RH series model. All persons involved with the installation, operation, and maintenance of the heater system must read and understand the information in this insert manual and the accompanying Tube Heater General Manual.

⚠ WARNING



Improper installation, adjustment, alteration, service, or maintenance can cause property damage, injury, or death. Read the installation, operation, and maintenance instructions thoroughly before installing or servicing this equipment.

This heater must be installed and serviced by trained gas installation and service personnel only. Failure to comply could result in personal injury, asphyxiation, death, fire, or property damage.



In locations used for the storage of combustible materials, signs must be posted to specify the maximum permissible stacking height to maintain the required clearances from the heater to the combustibles. Signs must either be posted adjacent to the heater thermostats or, in the absence of such thermostats, in a conspicuous location.



Not for residential use! Do not use this heater in the home, sleeping quarters, attached garages, etc. **Installation of a commercial tube heater system in residential indoor spaces may result in property damage, serious injury, asphyxiation, or death.**

For Your Safety

If you smell gas:

- Do not try to light any appliance.
- Do not touch any electrical switch.
- Do not use any phone in your building.
- Immediately call your gas supplier from a neighbor's phone.
- Follow the gas supplier's instructions.
- If you cannot reach your gas supplier, call the fire department.

INSTALLER: Present this manual to the end user.

Keep these instructions in a clean and dry place for future reference.

Model#: _____ Serial #: _____
(located on rating label)

LIOHa-Rev. 00218
Print: 1c-05/20 (DRPC)

Contents

1.0 Safety	3
Safety Labels and Their Locations	3
Clearances to Combustibles	4
2.0 Installation	6
Gas Requirements	6
Electrical Requirements	6
Wiring	7
Specifications	10
Tube Installation Sequence	11
3.0 Operation	12
Sequence of Operation	12
Thermostat	12
Operational Indicator Lights	13
4.0 Troubleshooting Guide	14
5.0 Parts	18
Components	18
Parts List	18
Kit Contents Check List	20
Approvals	20
Limited Warranty	20

NOTE: See page 10 for a list of available models and specifications.

1.0 Safety

⚠ WARNING



Improper installation, adjustment, alteration, service, or maintenance can cause property damage, serious injury, or death. Read and understand the installation, operating, and maintenance instruction thoroughly before installing or servicing this equipment. Only trained, qualified gas installation and service personnel may install or service this equipment.

Safety Labels and Their Locations

Product safety signs or labels should be replaced by the product user when they no longer are legible. Contact either your local distributor or the product manufacturer for obtaining replacement signs or labels.

Back Panel

Air Metering Orifice
DO NOT REMOVE

TP-114
TP-3014

3"

F/N: LLAC
Air Metering Orifice

Rating Plate

UNIVERSAL-RAY INFRARED RADIANT TUBE HEATER
FOR OUTDOOR USE AND INDOOR (Non-Residential)
INSTALLATION ONLY, Class IIIA Permanent Label

MODEL NO. RH-40 - 75N	INPUT BTU/H 75,000	FOR USE WITH Natural Gas
Volts AC: DX 120V - 60Hz	Manifold 3.5 Inches W.C.	Heater Type C1
AMPS - Starting: 1.7	Maximum Inlet Pressure: 14 Inches W.C.	Minimum Mounting Angle: 0 DEGREES
AMPS - Running: 1.1	Maximum Inlet Pressure: 5.0 Inches W.C.	Maximum Mounting Angle: 45 DEGREES

DESIGN COMPLIES WITH:
ANSI Z83.20-2006-GAS FIRED LOW INTENSITY INFRARED HTR.

DETROIT RADIANT PRODUCTS COMPANY
21400 HOOVER ROAD • WARREN, MI
(586) 756-0950 • www.universal-ray.com

Serial No.: 1011XXXXXXX0001

Top Panel

F/N: LLTB018 (Natural Gas)
F/N: LLTB019 (Propane Gas)

F/N: LLTCL001 Clearances to Combustibles Label

MODEL	CLEARANCE TO COMBUSTIBLES (IN INCHES)			
	Front	Top	Side	Below
18,000 - 28,000	18"	18"	18"	18"
29,000 - 39,000	18"	18"	18"	18"
40,000 - 50,000	18"	18"	18"	18"
51,000 - 61,000	18"	18"	18"	18"
62,000 - 72,000	18"	18"	18"	18"
73,000 - 83,000	18"	18"	18"	18"
84,000 - 94,000	18"	18"	18"	18"
95,000 - 105,000	18"	18"	18"	18"
106,000 - 116,000	18"	18"	18"	18"
117,000 - 127,000	18"	18"	18"	18"
128,000 - 138,000	18"	18"	18"	18"
139,000 - 149,000	18"	18"	18"	18"
150,000 - 160,000	18"	18"	18"	18"
161,000 - 171,000	18"	18"	18"	18"
172,000 - 182,000	18"	18"	18"	18"
183,000 - 193,000	18"	18"	18"	18"
194,000 - 204,000	18"	18"	18"	18"
205,000 - 215,000	18"	18"	18"	18"
216,000 - 226,000	18"	18"	18"	18"
227,000 - 237,000	18"	18"	18"	18"
238,000 - 248,000	18"	18"	18"	18"
249,000 - 259,000	18"	18"	18"	18"
260,000 - 270,000	18"	18"	18"	18"
271,000 - 281,000	18"	18"	18"	18"
282,000 - 292,000	18"	18"	18"	18"
293,000 - 303,000	18"	18"	18"	18"
304,000 - 314,000	18"	18"	18"	18"
315,000 - 325,000	18"	18"	18"	18"
326,000 - 336,000	18"	18"	18"	18"
337,000 - 347,000	18"	18"	18"	18"
348,000 - 358,000	18"	18"	18"	18"
359,000 - 369,000	18"	18"	18"	18"
370,000 - 380,000	18"	18"	18"	18"
381,000 - 391,000	18"	18"	18"	18"
392,000 - 402,000	18"	18"	18"	18"
403,000 - 413,000	18"	18"	18"	18"
414,000 - 424,000	18"	18"	18"	18"
425,000 - 435,000	18"	18"	18"	18"
436,000 - 446,000	18"	18"	18"	18"
447,000 - 457,000	18"	18"	18"	18"
458,000 - 468,000	18"	18"	18"	18"
469,000 - 479,000	18"	18"	18"	18"
480,000 - 490,000	18"	18"	18"	18"
491,000 - 501,000	18"	18"	18"	18"
502,000 - 512,000	18"	18"	18"	18"
513,000 - 523,000	18"	18"	18"	18"
524,000 - 534,000	18"	18"	18"	18"
535,000 - 545,000	18"	18"	18"	18"
546,000 - 556,000	18"	18"	18"	18"
557,000 - 567,000	18"	18"	18"	18"
568,000 - 578,000	18"	18"	18"	18"
579,000 - 589,000	18"	18"	18"	18"
590,000 - 600,000	18"	18"	18"	18"
601,000 - 611,000	18"	18"	18"	18"
612,000 - 622,000	18"	18"	18"	18"
623,000 - 633,000	18"	18"	18"	18"
634,000 - 644,000	18"	18"	18"	18"
645,000 - 655,000	18"	18"	18"	18"
656,000 - 666,000	18"	18"	18"	18"
667,000 - 677,000	18"	18"	18"	18"
678,000 - 688,000	18"	18"	18"	18"
689,000 - 699,000	18"	18"	18"	18"
700,000 - 710,000	18"	18"	18"	18"
711,000 - 721,000	18"	18"	18"	18"
722,000 - 732,000	18"	18"	18"	18"
733,000 - 743,000	18"	18"	18"	18"
744,000 - 754,000	18"	18"	18"	18"
755,000 - 765,000	18"	18"	18"	18"
766,000 - 776,000	18"	18"	18"	18"
777,000 - 787,000	18"	18"	18"	18"
788,000 - 798,000	18"	18"	18"	18"
799,000 - 809,000	18"	18"	18"	18"
810,000 - 820,000	18"	18"	18"	18"
821,000 - 831,000	18"	18"	18"	18"
832,000 - 842,000	18"	18"	18"	18"
843,000 - 853,000	18"	18"	18"	18"
854,000 - 864,000	18"	18"	18"	18"
865,000 - 875,000	18"	18"	18"	18"
876,000 - 886,000	18"	18"	18"	18"
887,000 - 897,000	18"	18"	18"	18"
898,000 - 908,000	18"	18"	18"	18"
909,000 - 919,000	18"	18"	18"	18"
920,000 - 930,000	18"	18"	18"	18"
931,000 - 941,000	18"	18"	18"	18"
942,000 - 952,000	18"	18"	18"	18"
953,000 - 963,000	18"	18"	18"	18"
964,000 - 974,000	18"	18"	18"	18"
975,000 - 985,000	18"	18"	18"	18"
986,000 - 996,000	18"	18"	18"	18"
997,000 - 1007,000	18"	18"	18"	18"

Bottom Panel

F/N: LLLOG03

Burner Control Box Component Label (located under the top panel)

RH-125N

Production Code: RH-125 Stock: None

Version: 10.11 Add-On: N/A

Data on this label is for the model shown on this label. If your heater has been converted, this information is not accurate. Please contact the factory for assistance.

BURNER COMPONENTS: (Specify TP #s)

Gas Valve:	VR4205-1324	240	Diag. 4071	
Control Board:	MICRO 50X-117	551	None	N/A
Wire Harness:	3 PCH Harness	562	40 V/A	N/A
N.O. Switch:	None	N/A	Fasco Lp.	55A
N.C. V.I. Control:	None	N/A	50Hz - 120V	95B
N.C. Switch:	None	N/A	When Specified	
N.C. V.I. Control:	None	N/A	None	N/A
Off Switch:	102201000	562	None	N/A
Off Switch:	None	N/A	24 Volt In.	3 T Plug
Off V.I. Control:	Grey (+/-)	555	200 Volt In.	832
Igniter:	Norton	555	200 Volt In.	66
Burner:	M&E	2018	Gas In	718 FIC Flare
1/2" Tube:	4" Gan.	580	Extra V.I. Control:	None
1/2" Lights:	Yellow - 120V	328		

HEATER TYPE: C1 C2 C3 Internal Use Only:

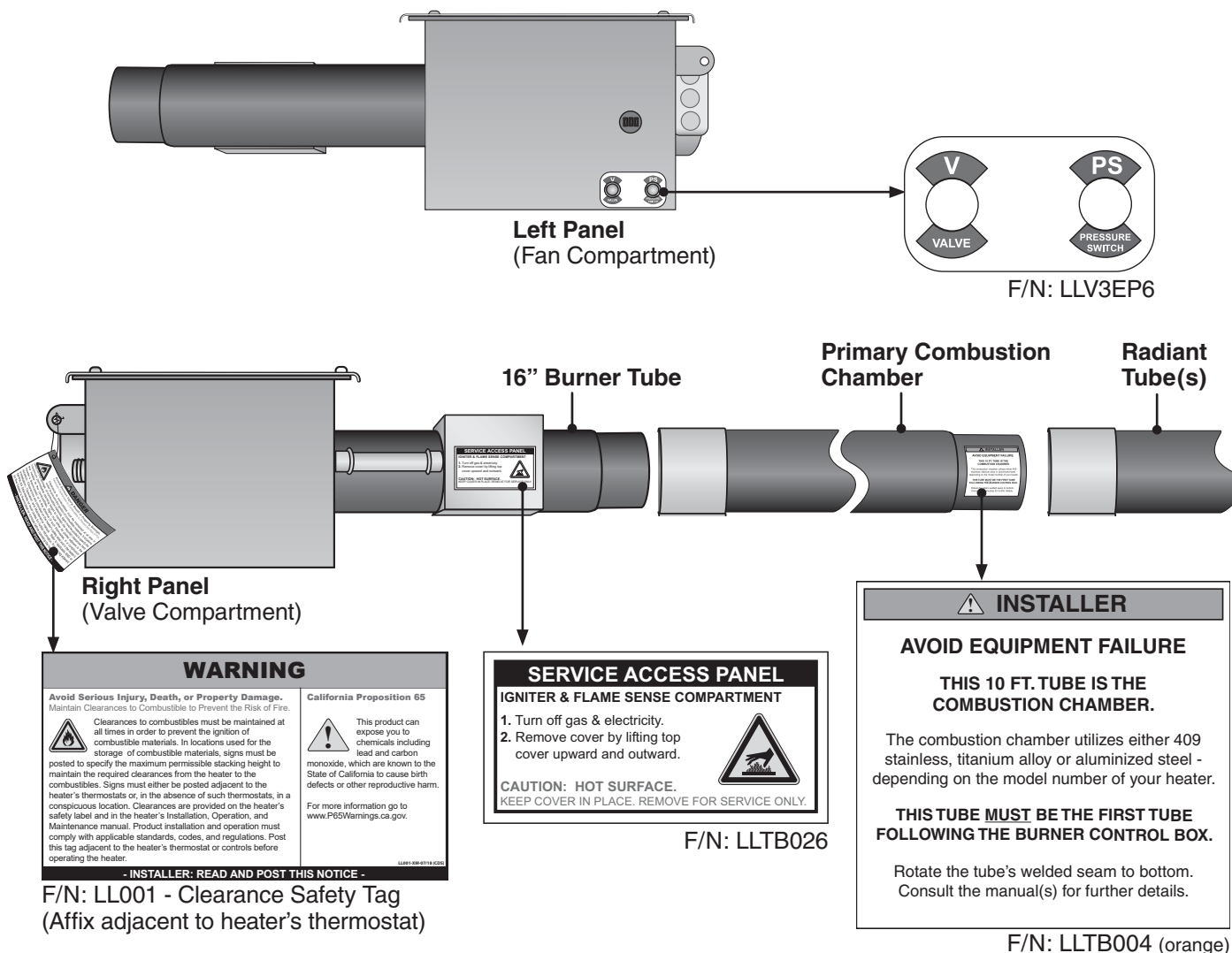
Gas: TP-204 18" 19" 19" Electric: LLY12000 Special 1: 17

Air: TP-448 1.5" 1.6" 1.7" 1.8" TRG: None Special 2: 1.716"

For parts replacement information, contact factory at 586-756-0950 or visit www.drp-co.com/parts.

Universal-Ray

Universal-Ray



Clearances to Combustibles

⚠ WARNING

Placement of explosive objects, flammable objects, liquids, and vapors close to the heater may result in explosion, fire, property damage, serious injury, or death. Do not store or use explosive objects, liquids, or vapors in the vicinity of the heater.

Clearance to Combustibles is defined as *the minimum distance that must exist between the tube surface, or reflector, and any combustible items (see Figure 1.1)*. It also pertains to the distance that must be maintained from moving objects around the tube heater.

When installing the tube heater system, clearances to combustibles for your series tube heater and configuration must be maintained. Refer to Chart 1.1 on the following page to determine the required distances for your model.

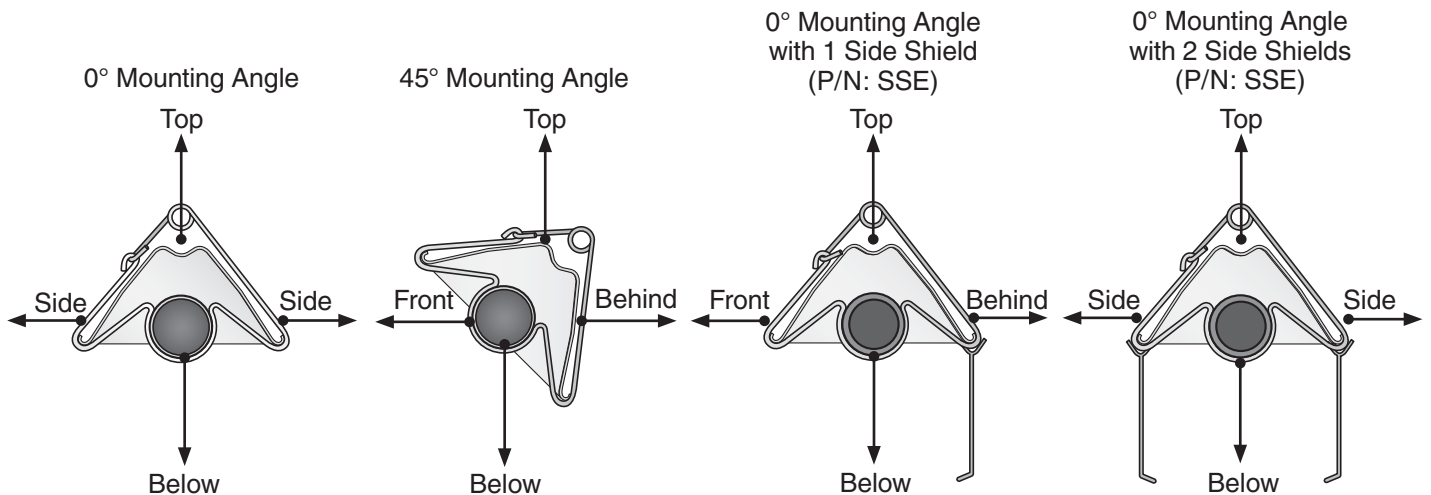
The stated clearance to combustibles represents a surface temperature of 90°F (50°C) above room temperature. Building materials with a low heat tolerance (such as plastics, vinyl siding, canvas, tri-ply, etc.) may be subject to degradation at lower temperatures. It is the installer's responsibility to assure that adjacent materials are protected from degradation.

Chart 1.1 • Clearances to Combustibles in Inches (see Figure 1.1 for Mounting Angles)

Burner Model Number (Tube Length)	Mounting Angle*	Side		Top	Below	
		Front	Behind			
RH-50 (20, 30, 40) [N, P]	0°	9	9	6	47	
	45°	39	8	10	47	
	with 1 side shield	0°	29	8	6	47
	with 2 side shields	0°	9	9	6	47
	20 ft. from burner	0°	7	7	6	30
RH-75 (20, 30, 40) [N, P]	0°	9	9	6	60	
	45°	39	8	10	60	
	with 1 side shield	0°	29	8	6	60
	with 2 side shields	0°	9	9	6	60
	20 ft. from burner	0°	7	7	6	30
RH-100 (30, 40, 50) [N, P]	0°	14	14	6	66	
	45°	39	8	10	66	
	with 1 side shield	0°	29	8	6	66
	with 2 side shields	0°	16	16	6	66
	20 ft. from burner	0°	7	7	6	30
RH-125 (40, 50, 60) [N, P]	0°	20	20	6	76	
	45°	58	8	10	76	
	with 1 side shield	0°	42	8	6	76
	with 2 side shields	0°	20	20	6	76
	20 ft. from burner	0°	7	7	6	30
RH-150 (40, 50, 60) [N, P]	0°	24	24	6	81	
	45°	58	8	10	81	
	with 1 side shield	0°	42	8	6	81
	with 2 side shields	0°	23	23	6	81
	20 ft. from burner	0°	11	11	6	44
RH-175 (50, 60) [N, P]	0°	34	34	6	92	
	45°	63	8	10	92	
	with 1 side shield	0°	50	8	6	92
	with 2 side shields	0°	30	30	6	92
	20 ft. from burner	0°	11	11	6	44

* Heaters mounted on an angle between 0° and 45° must maintain clearances posted for 0° or 45°, whichever is greater.

Figure 1.1 • Mounting Angles



2.0 Installation

⚠ WARNING



Improper installation, adjustment, alteration, service, or maintenance can cause property damage, serious injury, or death. Read and understand the installation, operating, and maintenance instructions thoroughly before installing or servicing this equipment. Only trained, qualified gas installation and service personnel may install or service this equipment.

Not for residential use! Do not use this heater in the home, sleeping quarters, attached garages, etc. Installation of a commercial tube heater system in residential indoor spaces may result in property damage, serious injury, or death.

Instructions for the following are detailed in the Tube Heater General Manual:

- Design considerations
- Hanger suspension and placement
- Tube layout and assembly
- Burner control box suspension
- Reflectors (and accessories)
- Venting and combustion air intake
- Gas requirements
- Baffle assembly

Gas Requirements

Manifold pressure of the heater is pre-set at the factory. No adjustment should be necessary. During the verification process, a tolerance of $\pm 10\%$ of the full scale is acceptable due to varying atmospheric conditions.

Type of Gas	Required Manifold Pressure	Minimum Inlet Pressure	Maximum Inlet Pressure
Natural	3.5 Inches W.C.	5.0 Inches W.C.	14.0 Inches W.C.
Propane	10.0 Inches W.C.	11.0 Inches W.C.	14.0 Inches W.C.



IMPORTANT: Consult the Tube Heater General Manual for gas connection requirements.

Electrical Requirements

- 120 VAC - 60 Hz, single-phase, 3-wire
- 120 VAC thermostat connection; 24 VAC with optional relay transformer
- Starting current 1.7 Amps
- Running current 1.1 Amps

Wiring

⚠ WARNING

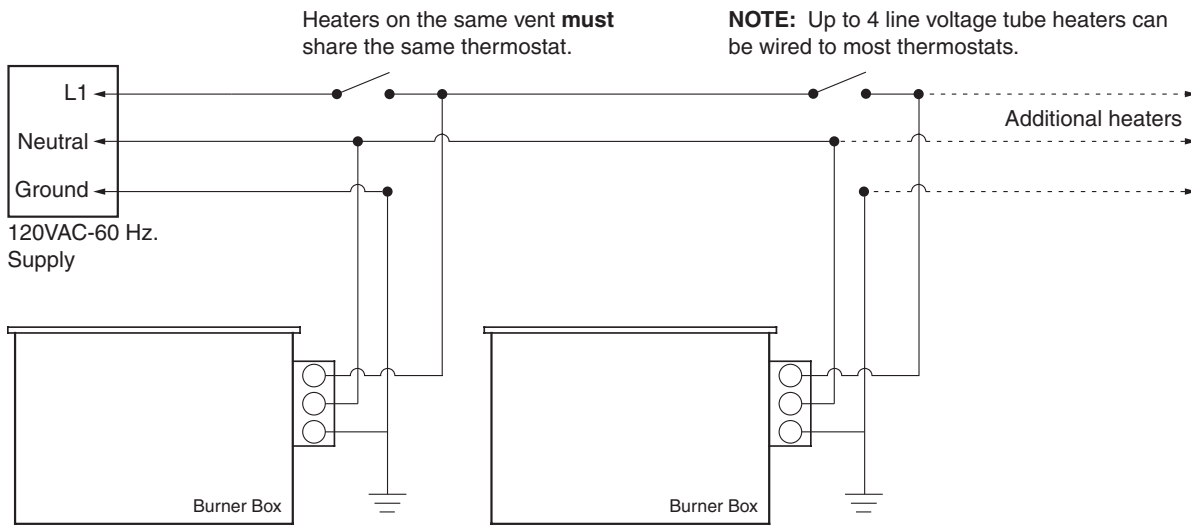


Electric Shock

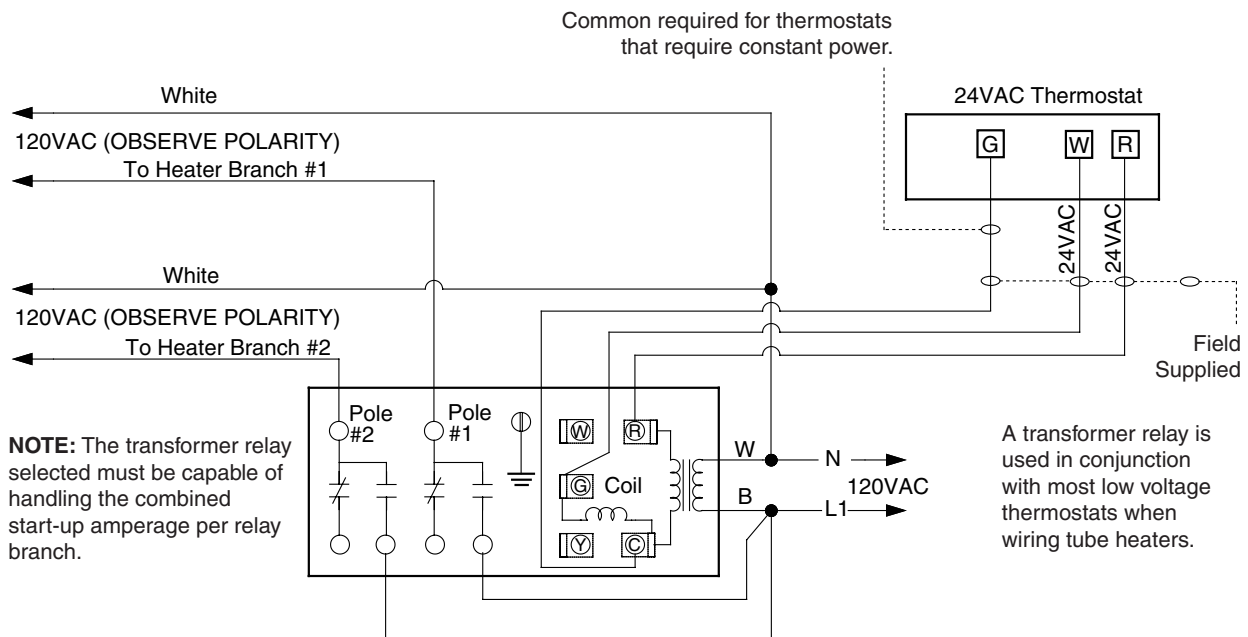
Field wiring to the tube heater must be connected and grounded in accordance with national, state, provincial, local codes and to the guidelines in the Tube Heater General Manual and Series Insert Manual. In the United States refer to the most current revisions to the ANSI/NFPA 70 Standard and in Canada refer to the most current revisions to the CSA C22.1 Part I Standard.

Figure 2.1 • Field Wiring Diagrams

A. 120 VAC Single/Multiple Line Voltage Heater(s)



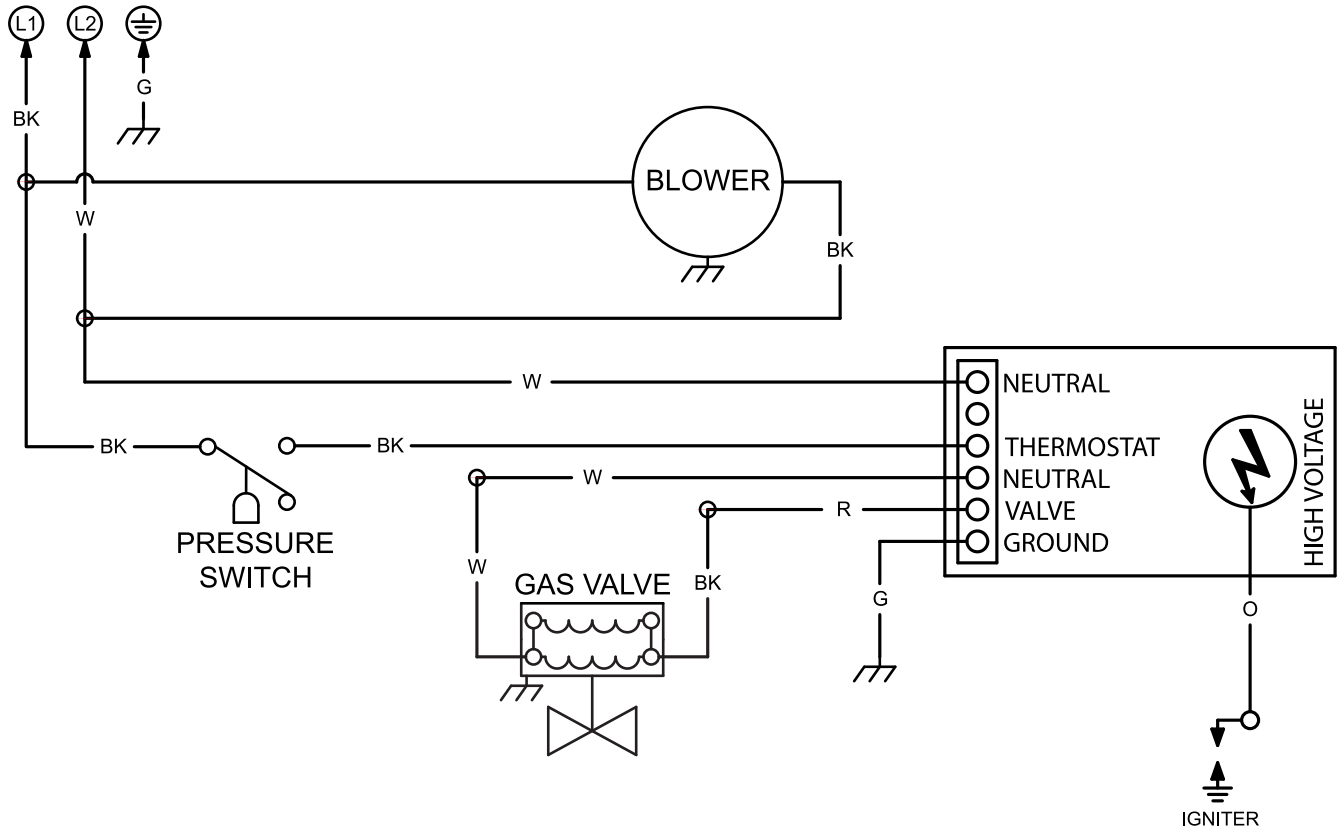
B. 24 VAC Thermostat Control (requires optional combination relay transformer P/N: R8285B).



Before field wiring this appliance - Check existing wiring; replace if necessary.

Note: If any of the original wire supplied with the appliance must be replaced, it must be replaced with wiring material having a rating of at least 600 V, 105°C.

Figure 2.2 • Internal Wiring Diagram



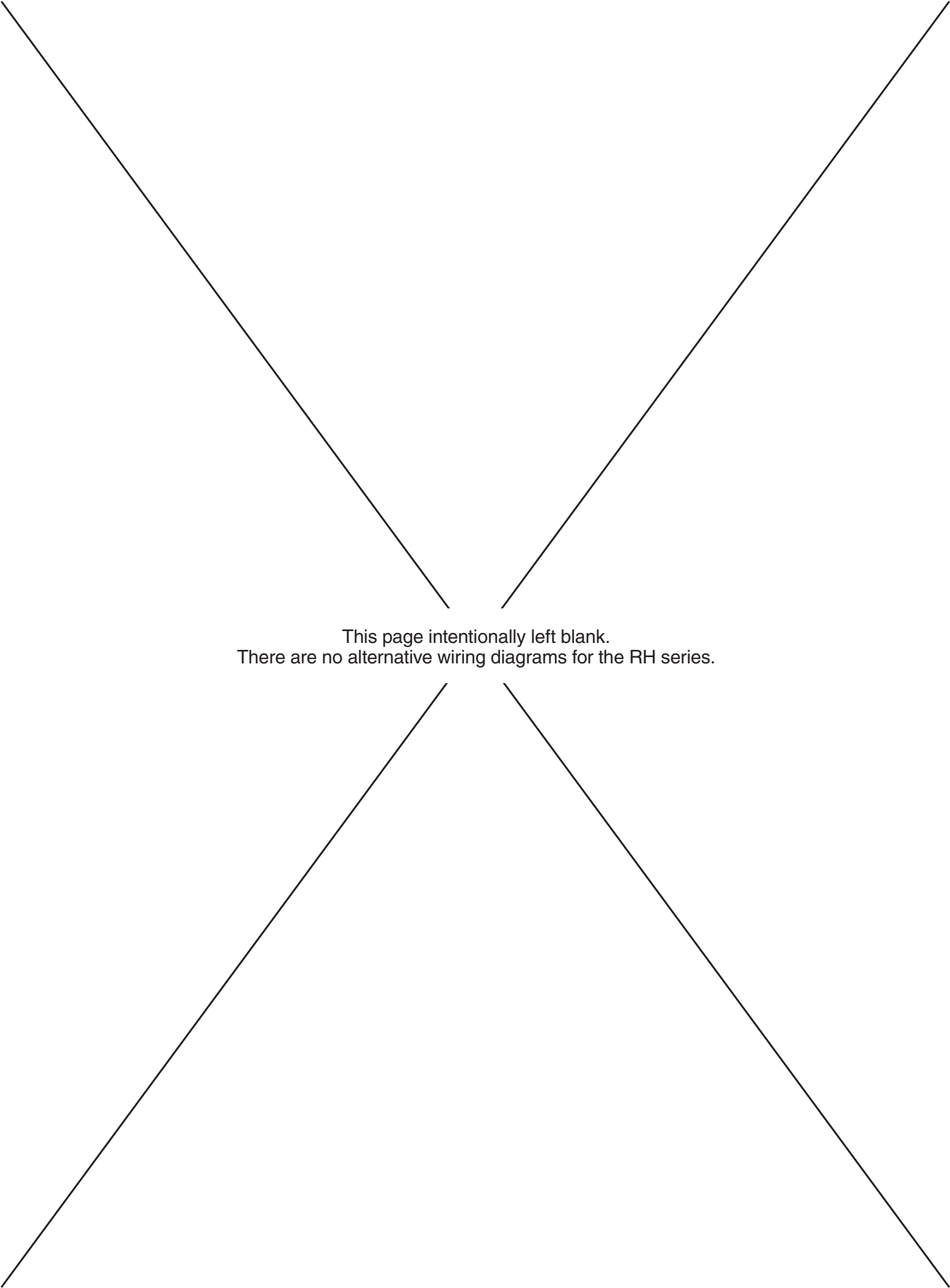
WIRING INFORMATION:

LINE VOLTAGE:

- FACTORY STANDARD —————
- FACTORY OPTION - - - - -
- FIELD INSTALLED - - - - -

LOW VOLTAGE:

- FACTORY STANDARD —————
- FACTORY OPTION - - - - -
- FIELD INSTALLED - - - - -



This page intentionally left blank.
There are no alternative wiring diagrams for the RH series.

Specifications

Chart 2.1 • Specifications

Burner Model Number	Gas Type (Select One)	BTU/h	Tube Length	36" Baffle Sections	Weight (lbs.)	Typical Mounting Heights	Tube Package Options (see Chart 2.2)	
							Hot-Rolled	Aluminized
RH 50-20B	Nat. or Prop.	50,000	20'	5	120	10' to 16'	TPK-B	TPK-H
RH 50-30B	Nat. or Prop.	50,000	30'	4	160	10' to 16'	TPK-D	TPK-I
RH 50-40B	Nat. or Prop.	50,000	40'	2	190	10' to 16'	TPK-F	TPK-K
RH 75-20B	Nat. or Prop.	75,000	20'	5	120	13' to 20'	TPK-B	TPK-H
RH 75-30B	Nat. or Prop.	75,000	30'	4	160	13' to 20'	TPK-D	TPK-I
RH 75-40B	Nat. or Prop.	75,000	40'	2	190	13' to 20'	TPK-F	TPK-K
RH 100-30B	Nat. or Prop.	100,000	30'	5	160	15' to 23'	TPK-D	TPK-I
RH 100-40B	Nat. or Prop.	100,000	40'	4	190	15' to 23'	TPK-F	TPK-K
RH 100-50B	Nat. or Prop.	100,000	50'	2	235	15' to 23'	TPK-F,A	TPK-K,G
RH-125-30B	Nat. or Prop.	125,000	30'	5	160	15' to 25'	TPK-D	TPK-I
RH 125-40B	Nat. or Prop.	125,000	40'	4	190	15' to 25'	TPK-F	TPK-K
RH 125-50B	Nat. or Prop.	125,000	50'	4	235	15' to 25'	TPK-F,A	TPK-K,G
RH 125-60B	Nat. or Prop.	125,000	60'	2	265	15' to 25'	TPK-F,C	TPK-K,H
RH 150-40B	Nat. or Prop.	150,000	40'	4	190	16' to 30'	TPK-F	TPK-K
RH 150-50B	Nat. or Prop.	150,000	50'	4	235	16' to 30'	TPK-F,A	TPK-K,G
RH 150-60B	Nat. or Prop.	150,000	60'	2	265	16' to 30'	TPK-F,C	TPK-K,H
RH 175-40B	Nat. or Prop.	175,000	40'	4	190	17' to 35'	TPK-F	TPK-K
RH 175-50B	Nat. or Prop.	175,000	50'	2	235	17' to 35'	TPK-F,A	TPK-K,G
RH 175-60B	Nat. or Prop.	175,000	60'	2	265	17' to 35'	TPK-F,C	TPK-K,H
RH 200-50B	Nat. or Prop.	200,000	50'	2	235	18' to 40'	TPK-F,A	TPK-K,G
RH 200-60B	Nat. or Prop.	200,000	60'	2	265	18' to 40'	TPK-F,C	TPK-K,H

Package ID	Description	Weight
TPK-A	1) 10 ft. Hot-Rolled Steel Tube	35 lbs.
TPK-B	1) 10 Ft. Aluminized and 1) 10 ft. Hot-Rolled Steel Tube	70 lbs.
TPK-C	2) 10 ft. Hot-Rolled Steel Tubes	70 lbs.
TPK-D	1) 10 Ft. Aluminized and 2) 10 ft. Hot-Rolled Steel Tubes	110 lbs.
TPK-E	1) 10 Ft. Aluminized and 3) 10 ft. Hot-Rolled Steel Tubes	145 lbs.
TPK-F	1) 10 Ft. Titanium Stabilized 1) 10 Ft. Aluminized and 2) 10 ft. Hot-Rolled Steel Tubes	145 lbs.

Package ID	Description	Weight
TPK-G	1) Aluminized Steel Tube	35 lbs.
TPK-H	2) Aluminized Steel Tubes	70 lbs.
TPK-I	3) Aluminized Steel Tubes	110 lbs.
TPK-K	1) Titanium Stabilized and 3) Aluminized Steel Tubes	145 lbs.

Tube packages include corresponding quantity of aluminum reflectors. All Aluminized and titanium stabilized steel tube are black coated. Hot-Rolled steel tube are uncoated. Reference RH Series Specification Chart above to determine correct burner and tube combinations for burner model.

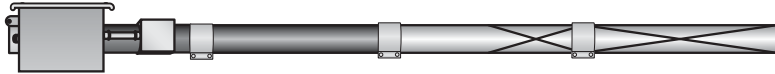
Tube Installation Sequence

Figure 2.4 • Tube Installation Sequence

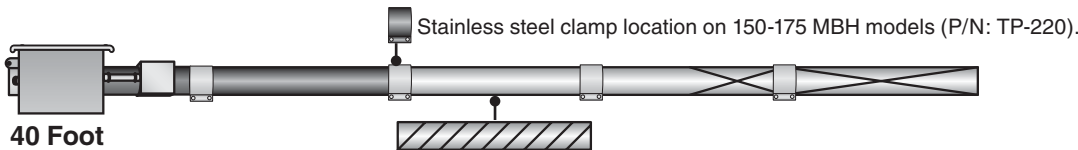
Important! The combustion chamber and radiant tube sections must be installed in the following order.



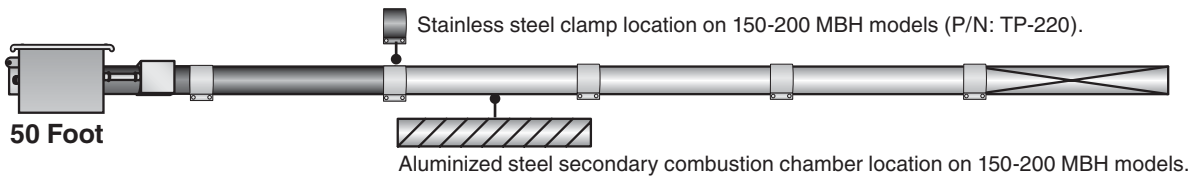
20 Foot



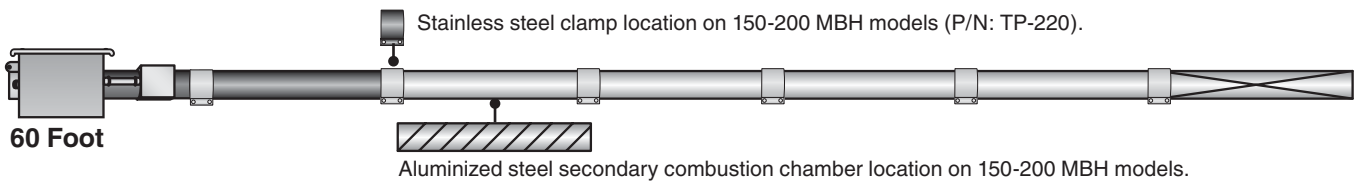
30 Foot



40 Foot

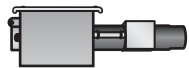


50 Foot



60 Foot

Key



Burner Control Box with 16" Burner Tube



Aluminized or Hot-rolled Steel Radiant Emitter Tube



Primary Combustion Chamber Tube*



Standard Tube Clamp



Secondary Aluminized Steel Combustion Chamber (150-175 MBH models only)



Stainless Steel Tube Clamp (P/N: TP-220)
150-200 MBH models only - Located between 1st and 2nd 10 ft. tube sections.



Baffle Location

*Aluminized steel (50,000 to 125,000 BTU/h burner models), Titanium stabilized aluminized steel (150,000 to 200,000 models). **NOTE:** Refer to the Tube Heater General Manual, Chart 3.6 (page 23) for secured reflector joints.

3.0 Operation

WARNING



This heater must be installed and serviced by trained gas installation and service personnel only.

Do not bypass any safety features or the heater's built in safety mechanisms will be compromised.

Note: Reference the Tube Heater General Manual for installation requirements.

Sequence of Operation

Starting Circuit: Upon a call for heat, the fan is energized. Once operational static pressure is achieved, the differential switch will close initiating the ignition sequence. After a 7-second pre-purge, the spark electrode is energized and the gas valve opens. The trial for ignition is 15 seconds. If flame is not sensed, the heater will attempt two (2) additional ignition sequences before proceeding into hard lockout.

Running Circuit: After ignition, the control senses and monitors burner flame through the electrode. If sense of flame is lost, the control immediately disrupts power to the gas valve and then re-cycles the unit (identical to the starting sequence). If flame sense is not established within 15 seconds, the heater will attempt two (2) additional ignition sequences before proceeding to hard lockout. The control can be reset by briefly interrupting the power source.

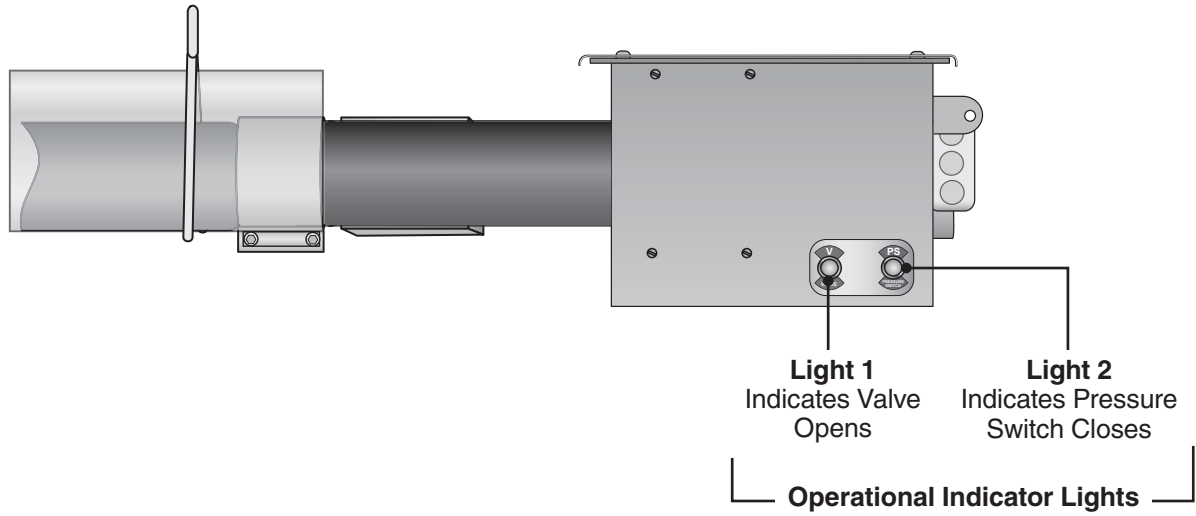
Thermostat

NOTE: Different thermostats operate according to their particular features. Refer to thermostat specifications for details.

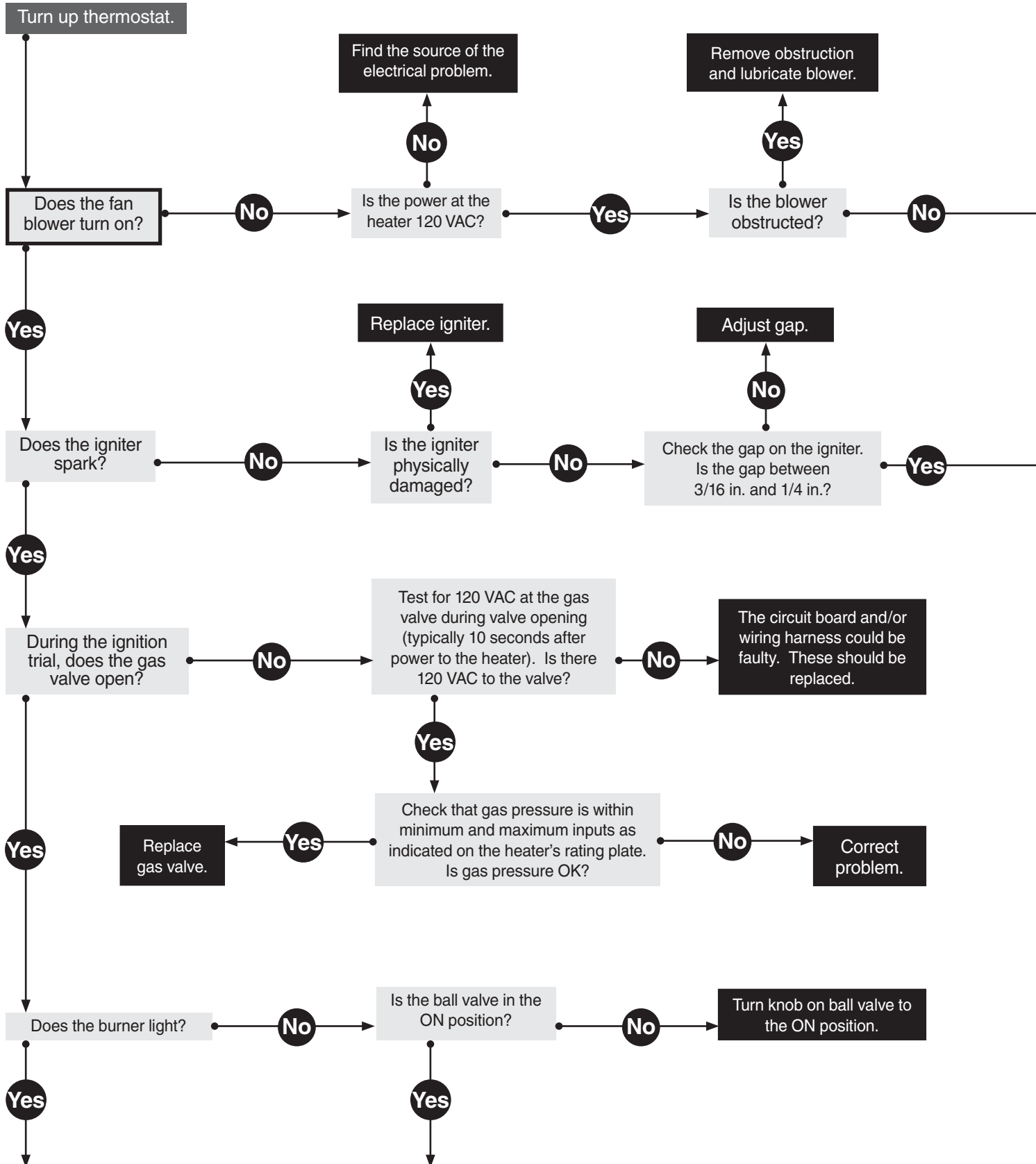
Diagnostics

The externally located operational indicator lights are provided to assist in troubleshooting of the heater. Refer to the following pages for additional troubleshooting.

Figure 3.1 • Operational Indicator Lights



4.0 Troubleshooting Guide

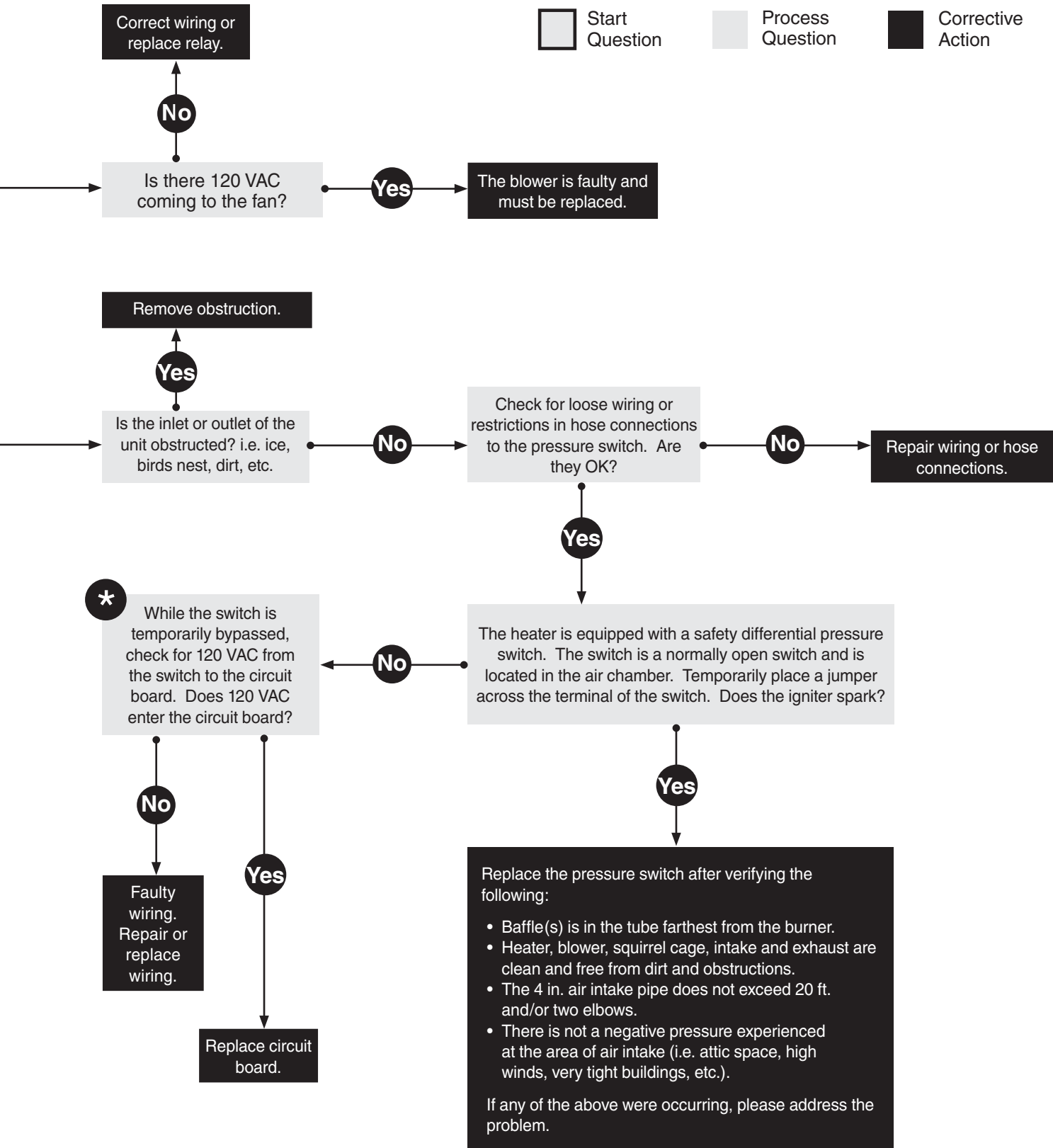


Continued on page 16.

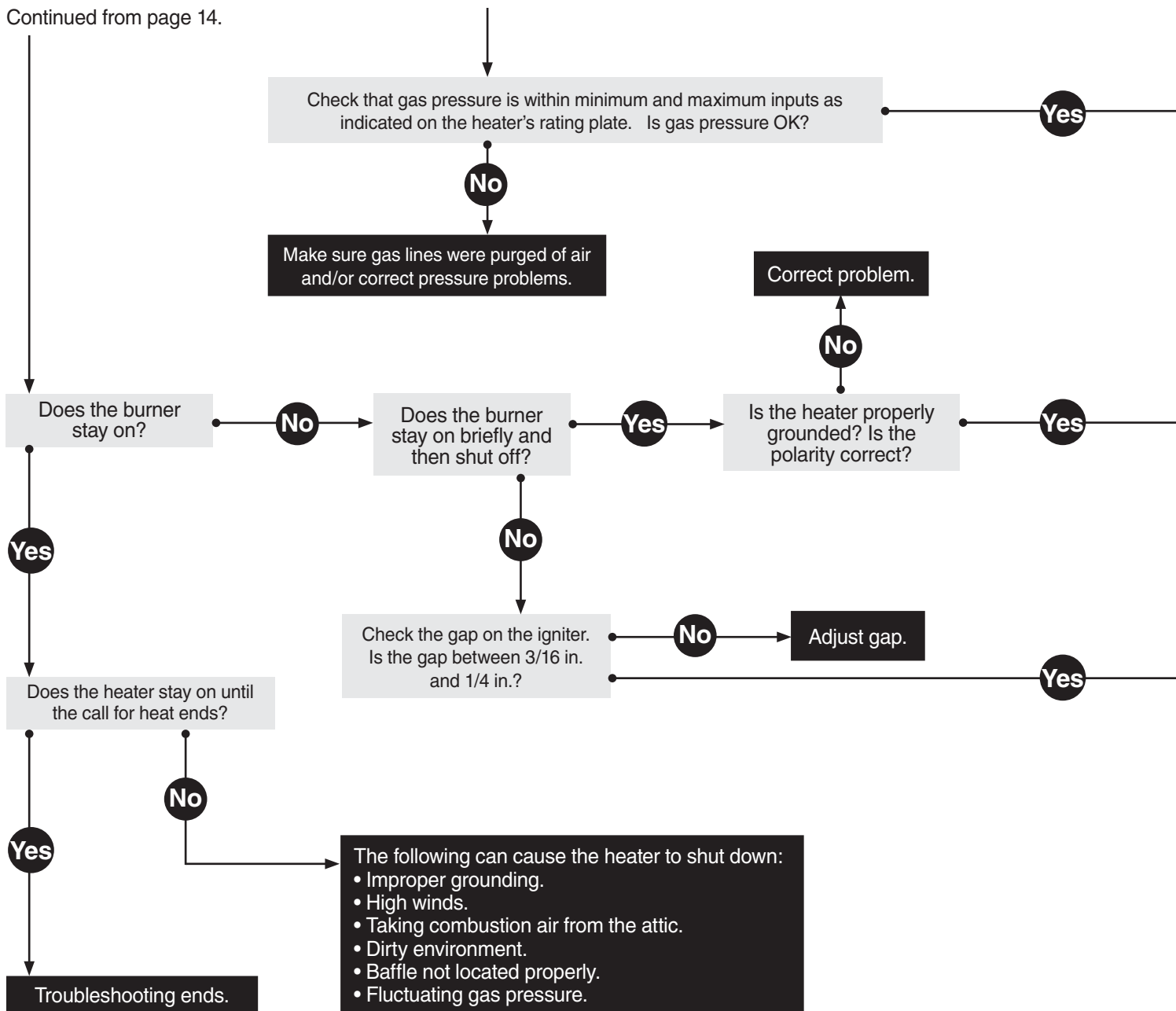
NOTICE Bypassing any switch is intended for testing purposes only. Do not leave switch bypassed during normal operation or the heater's built-in safety mechanisms will be compromised.

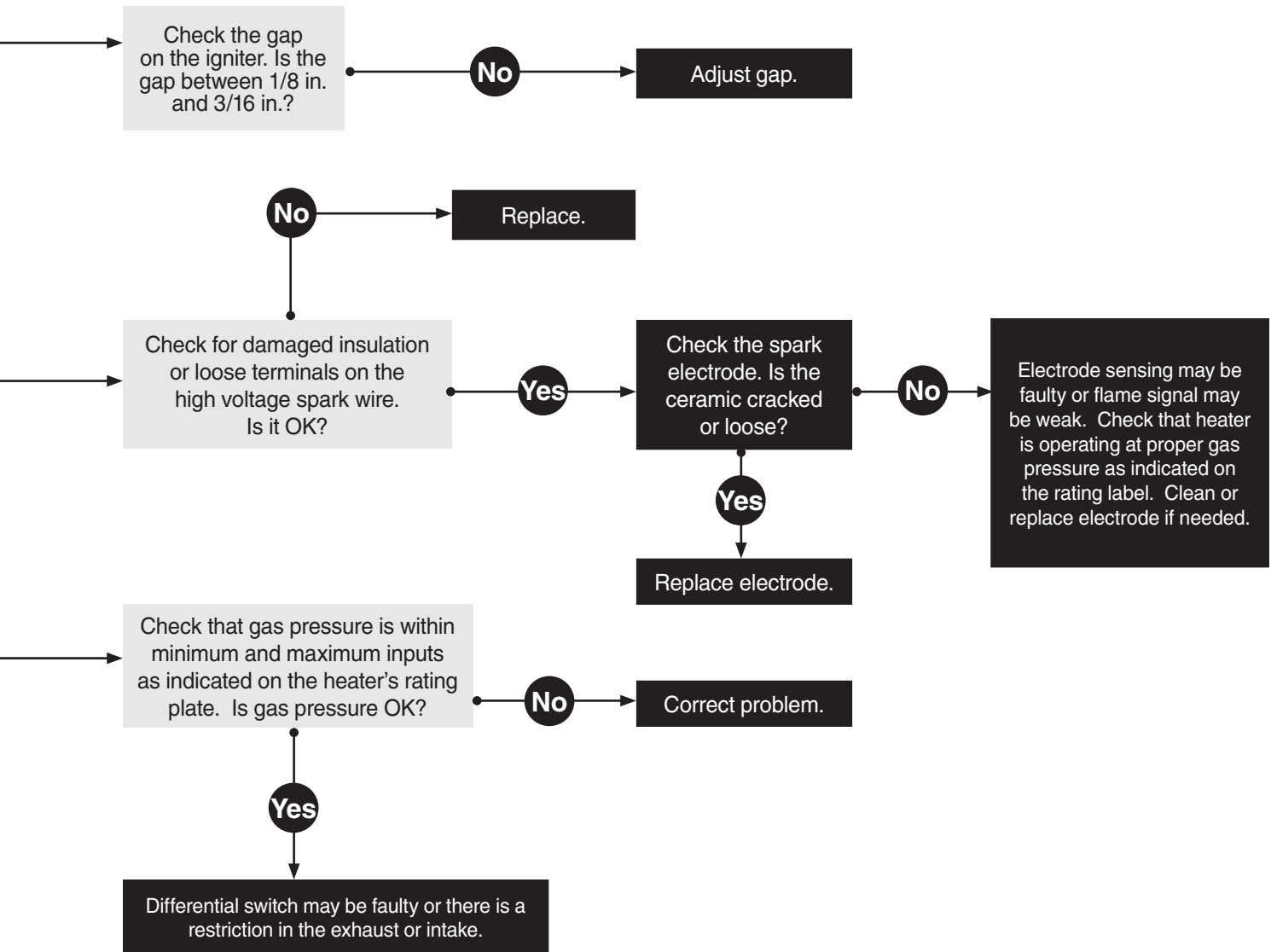
Key

- Start Question
- Process Question
- Corrective Action



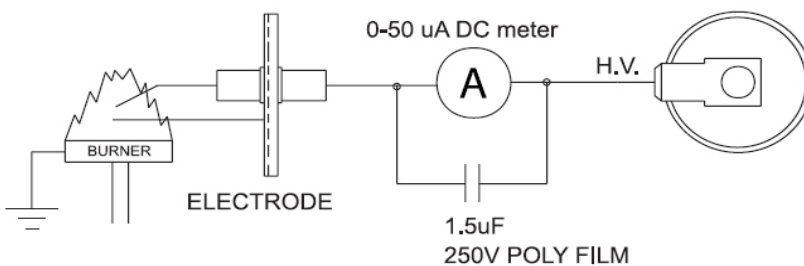
Continued from page 14.





Flame Current Check: Single Spark & Sense

To measure flame current, disconnect input voltage, then insert a 0-50 μA DC meter and capacitor in series with the spark electrode as shown below. Reconnect input voltage and initiate call for heat. After sparking is complete and flame is established, meter should read 1.0 μA or higher while flame is established. If meter reads below “0” on the scale, meter leads are reversed. Disconnect power and reconnect meter lead for proper polarity.



5.0 Parts

Figure 5.1 • Burner Assembly Components

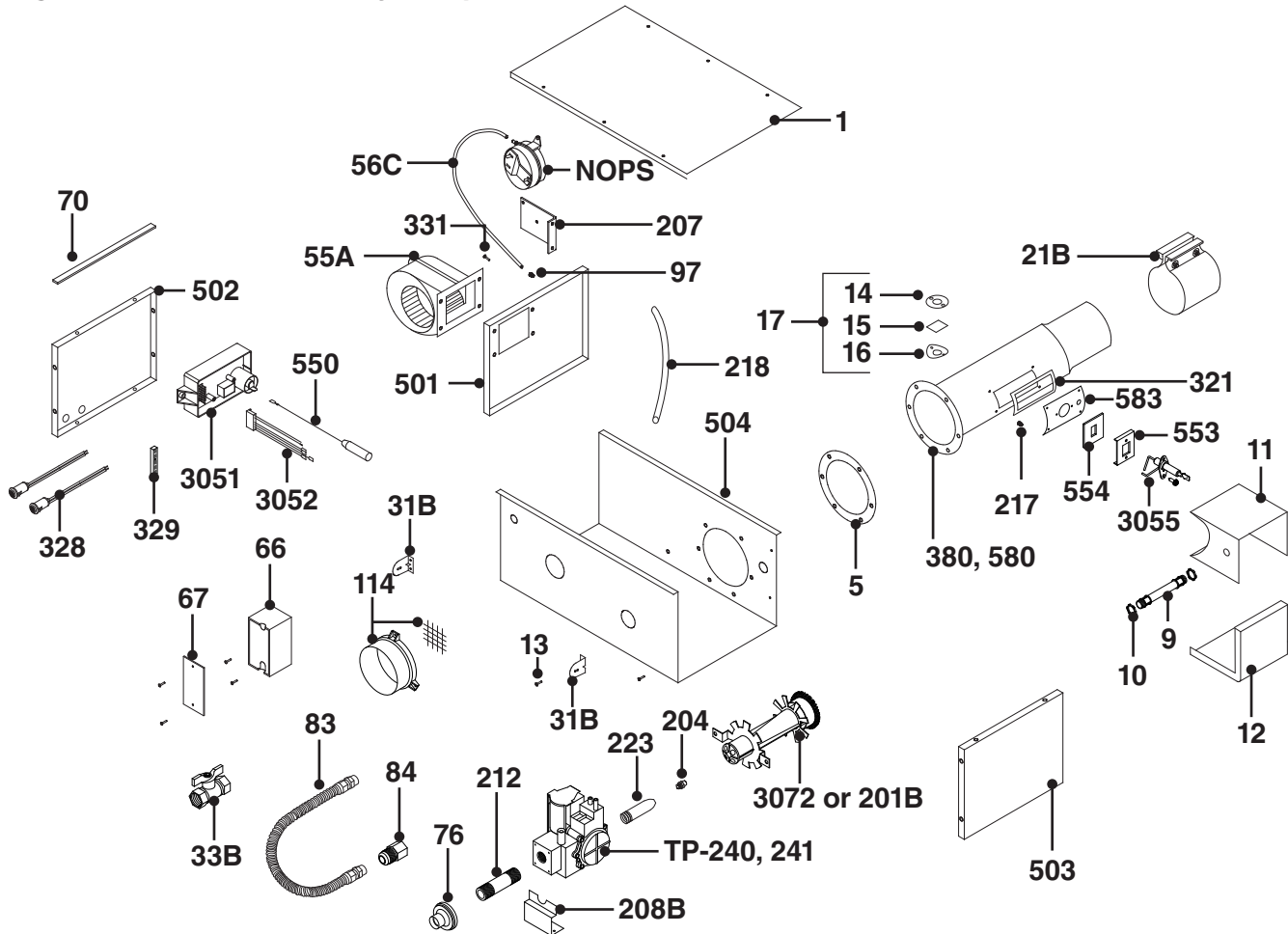
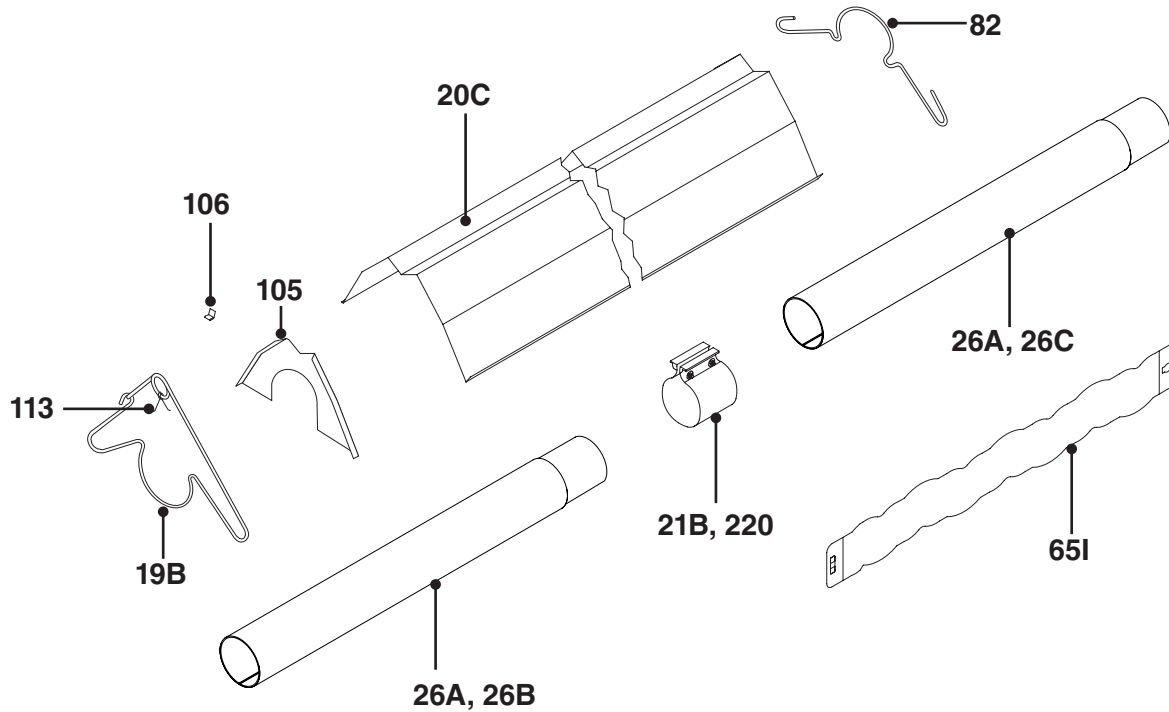


Chart 5.1 • Parts List

Part No.	Description	Part No.	Description
TP-1	Control Box Cover	TP-26C	10 ft. Uncoated Hot-Rolled Steel Radiant Tube
TP-5	Flange Gasket	TP-31B	Control Box Mounting Bracket
TP-9	Conduit Coupling	TP-33B	1/2" Shut-Off Ball Valve / Inlet Tap
TP-10	Conduit 4" x 1/2"	TP-55A	Fan Blower
TP-11	Glo-Bar™ Ignitor Box	TP-56C	1/4" Atmospheric Tube (Vinyl)
TP-12	Glo-Bar™ Ignitor Box Cover	TP-65I	36" Interlocking Turbulator Baffle
TP-13	8 x 1/2" Self-Drilling Screw	TP-66	2" x 4" Outlet Box
TP-14	Sight Glass Gasket	TP-67	2" x 4" Outlet Box Cover
TP-15	Sight Glass	TP-70	Control Box Cover Gasket (per foot*)
TP-16	Sight Glass Washer	TP-76	Rubber Grommet
TP-17	Sight Glass Kit	TP-82	Reflector Center Support (RCS)
TP-19B	4" Wire Hanger with Tension Spring	TP-83	24" Stainless Steel Flexible Gas Connector
TP-20C	120" Aluminum Reflector	TP-84	1/2" Female / Male Flare Fitting
TP-21B	4" Standard Tube Clamp	TP-97	1/4" x 1/4" Brass Int./Ext. Atmos. Barb Fitting
TP-26A	10 ft. Coated-ALUM Combustion/Radiant Tube	TP-105	Aluminum Reflector End Cap
TP-26B	10 ft. Coated-AL-TI Combustion Tube	TP-106	Reflector End Cap Clips (8 pcs.)

* 6 feet total required to cover outer edges of the burner control box.

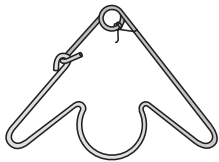

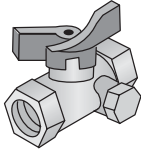

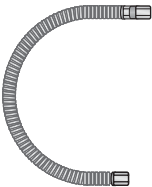
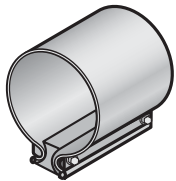

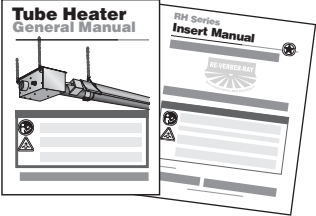
Figure 5.2 • Tube and Reflector Components



Part No.	Description	Part No.	Description
TP-113	Reflector Tension Spring	TP-502	End Panel, Left
TP-114	Plastic Air Orifice with Screen (consult factory)	TP-503	End Panel, Right
TP-201B	Mid BTU Burner (Tan) consult factory	TP-504	Burner Control Box Outer Shell
TP-204	Gas Orifice (consult factory)	TP-554	Spark Igniter Gasket
TP-208B	Gas Valve Mounting Bracket	TP-550	Spark Transfer Wire - Orange
TP-212	1/2" x 3" Pipe Nipple	TP-553	Igniter Mounting Bracket
TP-217	Pressure Switch Barb	TP-580	16" Burner Tube with Flange (fittings included)
TP-218	Differential Switch Vinyl Sensing Tube (exhaust)	TP-583	DSI Igniter Plate
TP-220	Stainless Steel Tube Clamp (175 MBH models)	TP-3051	DSI Circuit Board
TP-223	Gas Manifold	TP-3052	Wiring Harness
TP-240	VR4205M-1324 Gas Valve Assembly - Nat. Gas	TP-3055	Direct Spark 2-Prong Igniter Electrode
TP-241	VR4205M-1357 Gas Valve Assembly - LP Gas	TP-3072	Low BTU Burner (Green) consult factory
TP-321	Ignition Plate Gasket	TP-NOPS	Normally Open Pressure Switch; select below:
TP-328	120V Amber Operational Indicator Light	TP-264B	Differential Pressure Switch, 50 to 100 MBH
TP-329	1/4" Neutral Terminal Block	TP-264E	Differential Pressure Switch, 125 & 150 MBH
TP-331	Green Self Tap Ground Screw	TP-264D	Differential Pressure Switch, 175 MBH
TP-380	16" Burner Tube with Flange (no fittings)	TP-264F	Differential Pressure Switch, 200 MBH
TP-501	Center Divider Panel		

Kit Contents Check List

Chart 5.2 • Kit Contents for RH Series - Reference the length column for your model.

RH Series Kit Contents						
<p>TP-19B 4" Hanger with Reflector Tension Spring</p> 	<p>TP-82 4" Reflector Center Support (RCS)</p> 	<p>TP-33B 1/2" Shut-Off Valve (Ball Valve & Inlet Tap)</p> 	<p>TP-106 Reflector End Cap Clips</p> 			
<p>TP-83 24" Stainless Steel Flexible Gas Connector</p> 	<p>TP-21B 4" Tube Clamp</p> 	<p>TP-105 Reflector End Cap</p> 	<p>Tube Heater General Manual and RH Series Insert Manual F/N: LIOGTa & LIORHa</p> 			
Part No.	Description	20 ft.	30 ft.	40 ft.	50 ft.	60 ft.
TP-19B	4" Hanger w/ Tension Spring	3	4	5	6	7
TP-21B	4" Tube Clamp	2	3	4*	5*	6*
TP-33B	1/2" Shut-Off Valve w/ Inlet Tap	1	1	1	1	1
TP-82	4" Reflector Center Support	2	3	4	5	6
TP-83	24" S.S. Flexible Gas Connector	1	1	1	1	1
TP-105	Reflector End Cap	2	2	2	2	2
TP-106	Reflector End Cap Clips	8	8	8	8	8
LIOGTa	General Tube Heater Manual	1	1	1	1	1
LIORHa	RH Series Insert Manual	1	1	1	1	1
Filled By:						

*NOTE: One 4" stainless steel tube clamp (P/N: TP-220) is provided for each 175,000 BTU model. Place as shown on page 11.

Approvals

- CSA
- Indoor approval
- Outdoor approval with OD-Kit
- Commercial approval

Limited Warranty

- 1 year - Burner box components
- 5 years - Combustion and radiant tubes
- 10 years - Stainless steel burner
- See page 40 of the General Tube Heater Manual for terms and conditions.



© 2020 Detroit Radiant Products Co.
 21400 Hoover Road • Warren, MI 48089
 Phone: 586-756-0950 Fax: 586-756-2626
 www.universalray.com • sales@universalray.com

Printed in U. S. A.