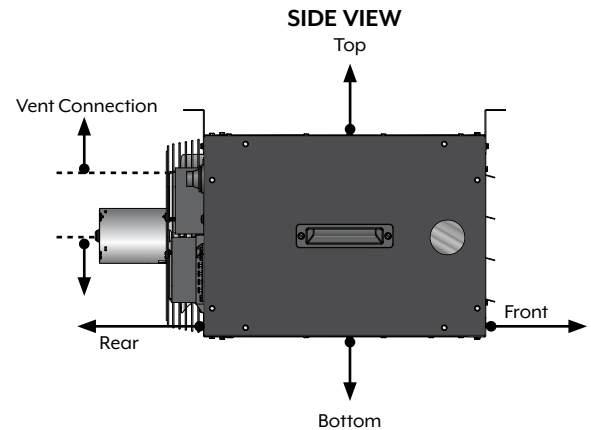
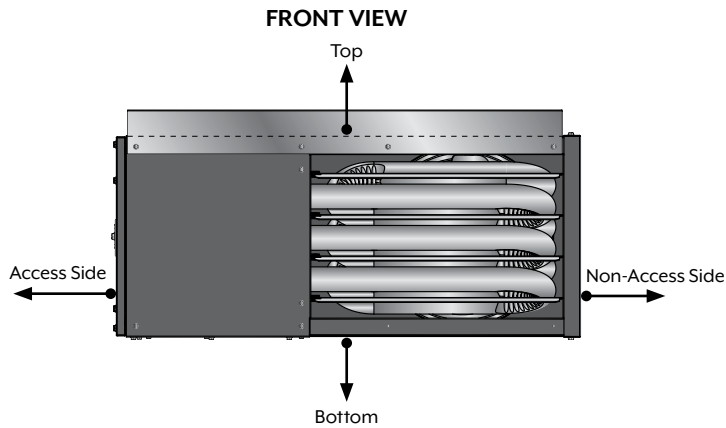


# RE-VERBER-AIR SAFETY SUBMITTAL SHEET

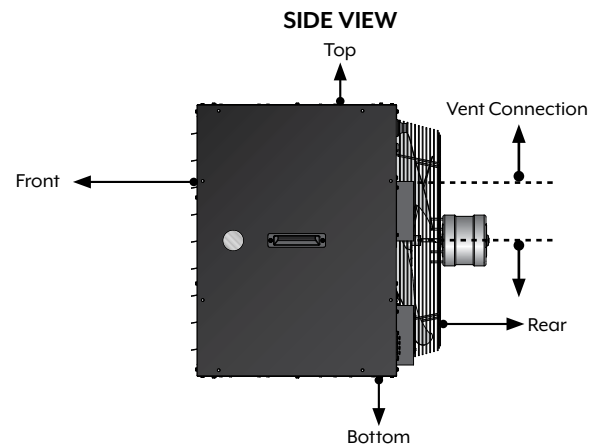
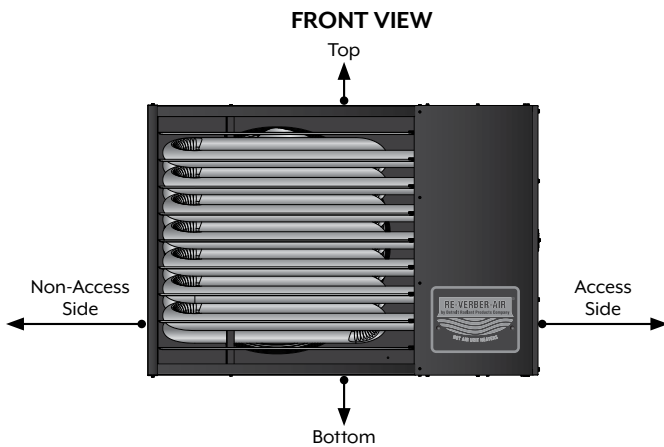
## UH/FA-SS SERIES CLEARANCES TO COMBUSTIBLES

All listed clearances to combustibles are in inches.

UH-60-SS	FRONT	TOP AND BOTTOM	ACCESS SIDE	NON-ACCESS SIDE	REAR	VENT CONNECTION
Clearance to Combustibles	60 in.	1 in.	18 in.	1 in.	1 in.	6 in.
Clearance to Allow Service	60 in.	1 in.	18 in.	1 in.	18 in.	6 in.



FA-100-SS AND FA-250-SS	FRONT	TOP AND BOTTOM	ACCESS SIDE	NON-ACCESS SIDE	REAR	VENT CONNECTION
Clearance to Combustibles	60 in.	1 in.	18 in.	1 in.	1 in.	6 in.
Clearance to Allow Service	60 in.	1 in.	18 in.	1 in.	18 in.	6 in.



Read and understand the installation, operation, and maintenance manual prior to installing or servicing this unit.

In locations used for the storage of combustible materials, signs must be posted adjacent to the heater's thermostat specifying stacking heights.



**DETROIT RADIANT  
PRODUCTS COMPANY**  
Detroit Radiant Products | Phone: (586) 756-0950  
21400 Hoover Rd. | Email: sales@drp-co.com  
Warren, MI 48089 | www.reverberray.com

LSUHFASSc-II/24 (DRPC)